

Tiny Package, High Efficiency, Step-up DC/DC Converter

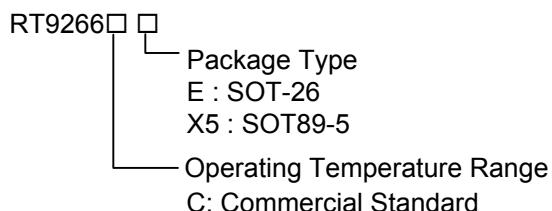
General Description

The RT9266 is a compact, high efficiency, and low voltage step-up DC/DC converter with an Adaptive Current Mode PWM control loop, includes an error amplifier, ramp generator, comparator, switch pass element and driver in which providing a stable and high efficient operation over a wide range of load currents. It operates in stable waveforms without external compensation.

The low start-up input voltage below 1V makes RT9266 suitable for 1 to 4 battery cells applications of providing up to 300mA output current. The 450KHz high switching rate minimized the size of external components. Besides, the 17 μ A low quiescent current together with high efficiency maintains long battery lifetime.

The output voltage is set with two external resistors. Both internal 2A switch and driver for driving external power devices (NMOS or NPN) are provided.

Ordering Information



Marking Information

For marking information, contact our sales representative directly or through a RichTek distributor located in your area, otherwise visit our website for detail.

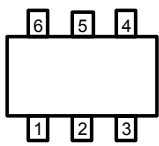
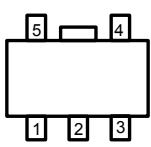
Features

- 1.0V Low Start-up Input Voltage
- High Supply Capability to Deliver 3.3V 100mA with 1 Alkaline Cell
- 17 μ A Quiescent (Switch-off) Supply Current
- Zero Shutdown Mode Supply Current
- 90% Efficiency
- 450KHz Fixed Switching Frequency
- Providing Flexibility for Using Internal and External Power Switches
- Small SOT-26 & SOT89-5 Package

Applications

- PDA
- DSC
- LCD Panel
- RF-Tags
- MP3
- Portable Instrument
- Wireless Equipment

Pin Configurations

Part Number	Pin Configurations
RT9266CE (Plastic SOT-26)	<p>TOP VIEW</p>  <p>1. CE 2. EXT 3. GND 4. LX 5. VDD 6. FB</p>
RT9266CX5 (Plastic SOT89-5)	<p>TOP VIEW</p>  <p>1. CE 2. VDD 3. FB 4. LX 5. GND</p>

Typical Application Circuit



Fig. 1 RT9266 Typical Application for Portable Instruments

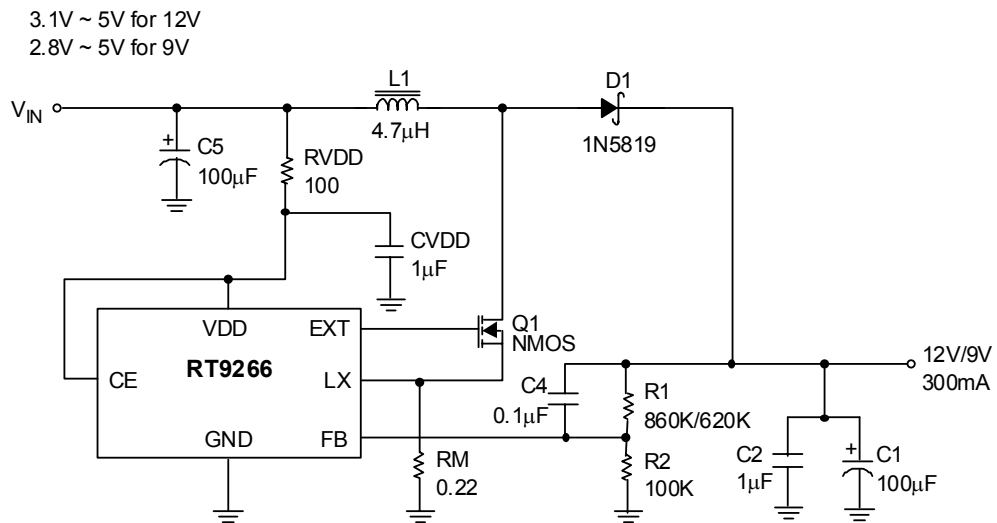


Fig. 2 RT9266 High Voltage Applications

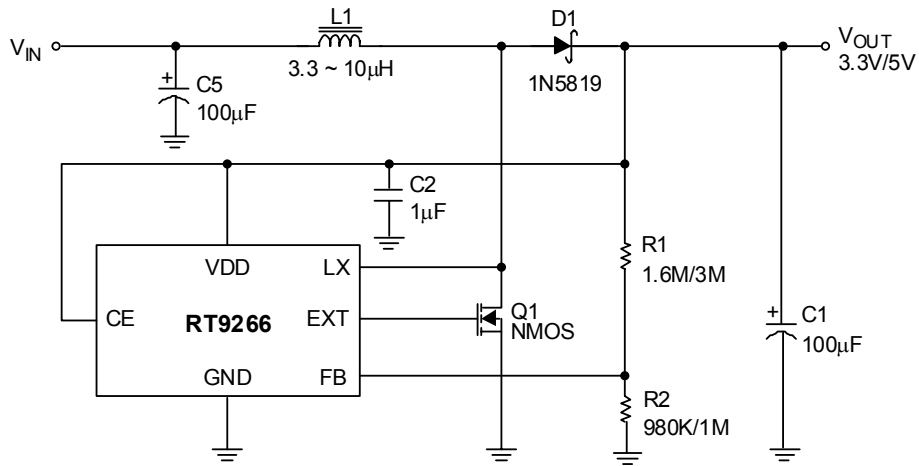


Fig. 3 RT9266 for Higher Current Applications

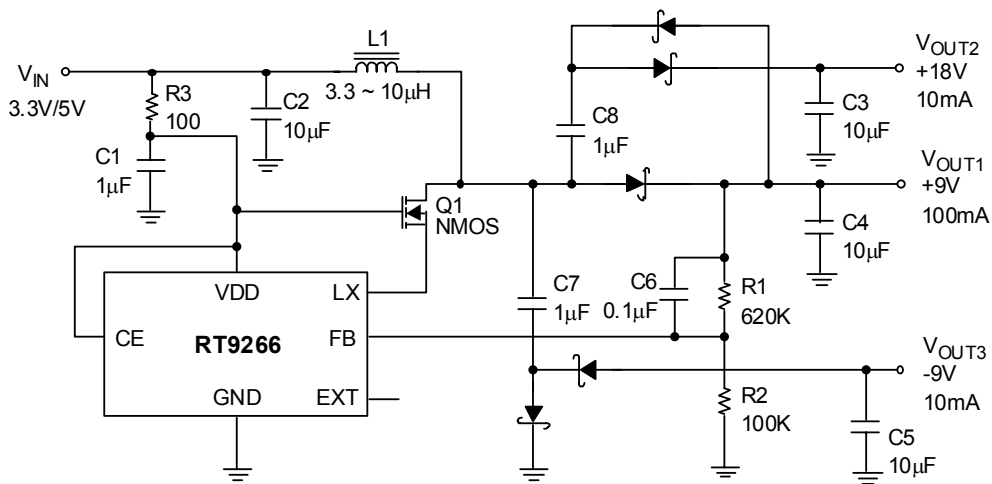
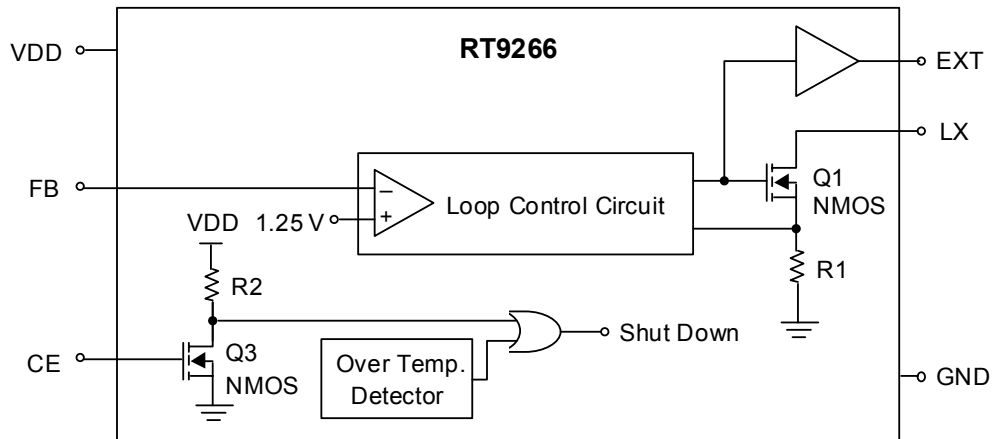


Fig. 4 RT9266 for Multi-Output Applications

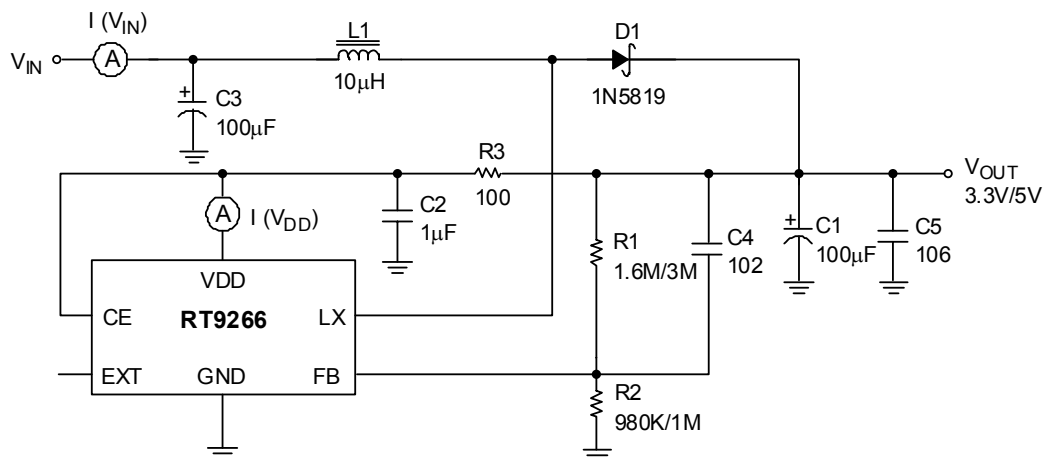
Pin Description

Pin No.		Pin Name	Pin Function
RT9266CX5	RT9266CE		
1	1	CE	Chip enable RT9266 gets into shutdown mode when CE pin set to low.
	2	EXT	Output pin for driving external NMOS
5	3	GND	Ground
4	4	LX	Pin for switching
2	5	VDD	Input positive power pin of RT9266
3	6	FB	Feedback input pin Internal reference voltage for the error amplifier is 1.25V.

Function Block Diagram



Test Circuit



Absolute Maximum Ratings

- Supply Voltage – 0.3V to 7V
- LX Pin Switch Voltage – 0.3V to (VDD + 0.8V)
- Other I/O Pin Voltages – 0.3V to (VDD + 0.3V)
- LX Pin Switch Current 2.5A
- EXT Pin Driver Current 200mA
- Package Thermal Resistance
 - SOT-26, θ_{JC} 145°C/W
 - SOT-89-5, θ_{JC} 45°C/W
- Operating Junction Temperature 125°C
- Storage Temperature Range – 65°C ~ +150°C

Electrical Characteristics

($V_{IN} = 1.5V$, VDD set to 3.3V, Load Current = 0, $T_A = 25^\circ C$, unless otherwise specified)

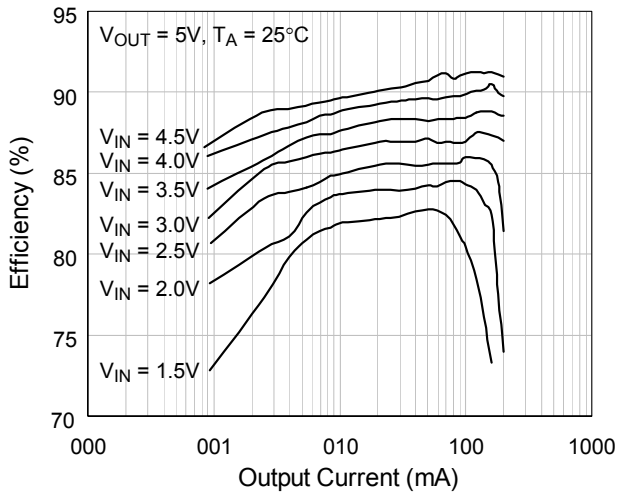
Parameter	Symbol	Test Conditions	Min	Typ	Max	Units
Start-UP Voltage	V_{ST}	$I_L = 1mA$	--	0.98	1.05	V
Operating VDD Range	V_{DD}	VDD pin voltage	2	--	6.5 *	V
No Load Current I (V_{IN})	$I_{NO\ LOAD}$	$V_{IN} = 1.5V, V_{OUT} = 3.3V$	--	75	--	μA
Switch-off Current I (VDD)	$I_{SWITCH\ OFF}$	$V_{IN} = 6V$	--	17	--	μA
Shutdown Current I (V_{IN})	I_{OFF}	CE Pin = 0V, $V_{IN} = 4.5V$	--	0.01	1	μA
Feedback Reference Voltage	V_{REF}	Close Loop, VDD = 3.3V	1.225	1.25	1.275	V
Switching Frequency	F_S	VDD = 3.3V	--	450	--	KHz
Maximum Duty	D_{MAX}	VDD = 3.3V	--	95	--	%
LX ON Resistance		VDD = 3.3V	--	0.3	--	Ω
Current Limit Setting	I_{LIMIT}	VDD = 3.3V	--	2	--	A
EXT ON Resistance to VDD		VDD = 3.3V	--	5	--	Ω
EXT ON Resistance to GND		VDD = 3.3V	--	5	--	Ω
Line Regulation	ΔV_{LINE}	$V_{IN} = 1.5 \sim 2.5V, I_L = 1mA$	--	10	--	mV/V
Load Regulation	ΔV_{LOAD}	$V_{IN} = 2.5V, I_L = 1 \sim 100mA$	--	0.25	--	mV/mA
CE Pin Trip Level		VDD = 3.3V	0.4	0.8	1.2	V
Temperature Stability for Vout	T_S		--	50	--	ppm/ $^\circ C$
Thermal Shutdown	T_{SD}		--	165	--	$^\circ C$
Thermal Shutdown Hysterises	ΔT_{SD}		--	10	--	$^\circ C$

* Note: The CE pin shall be tied to VDD pin and inhibit to act the ON/OFF state whenever the VDD pin voltage may reach to 5.5V or above.

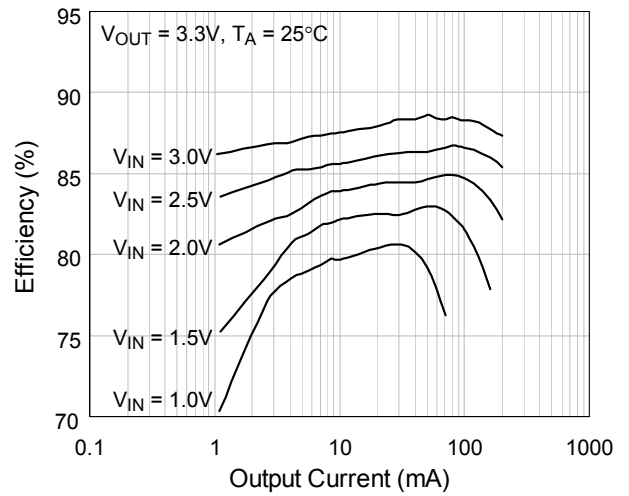
Typical Operating Characteristics

(Refer to Test Circuit)

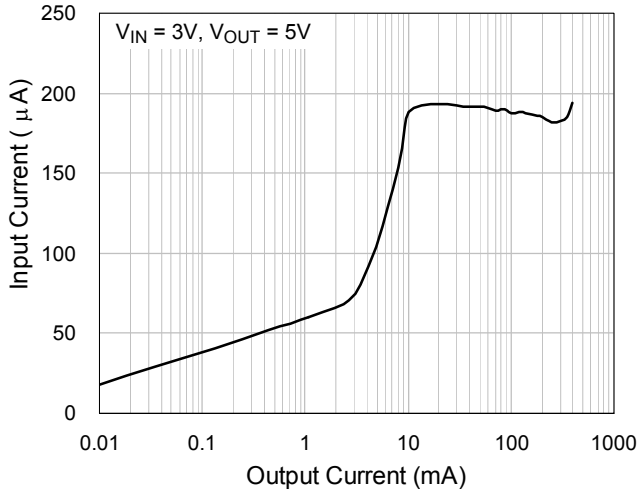
Efficiency vs. Output Current



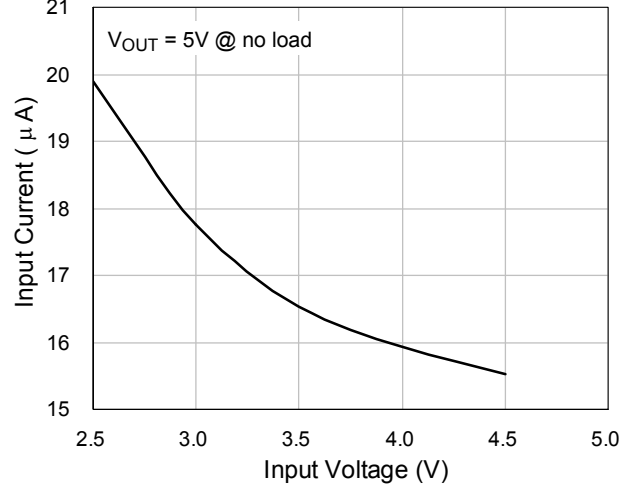
Efficiency vs. Output Current



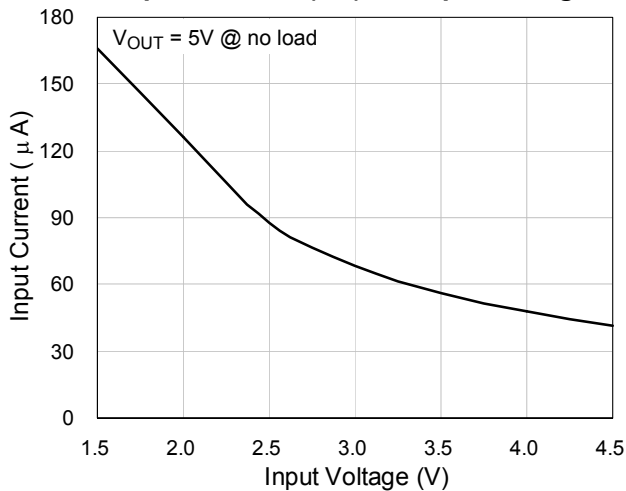
Input Current I(VDD) vs. Output Current



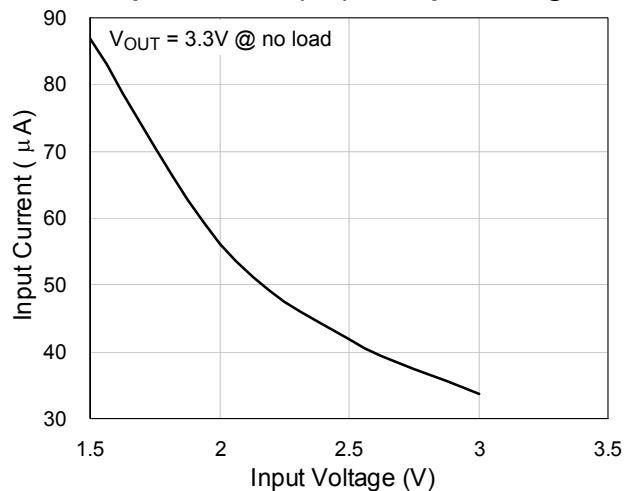
Input Current I(VDD) vs. Input Voltage



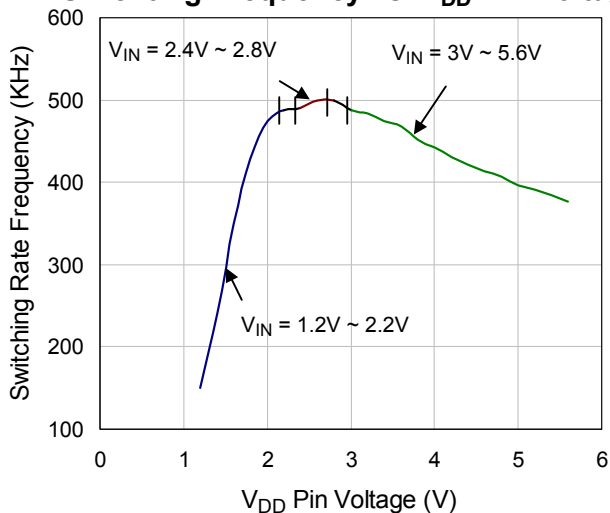
Input Current I(VIN) vs. Input Voltage



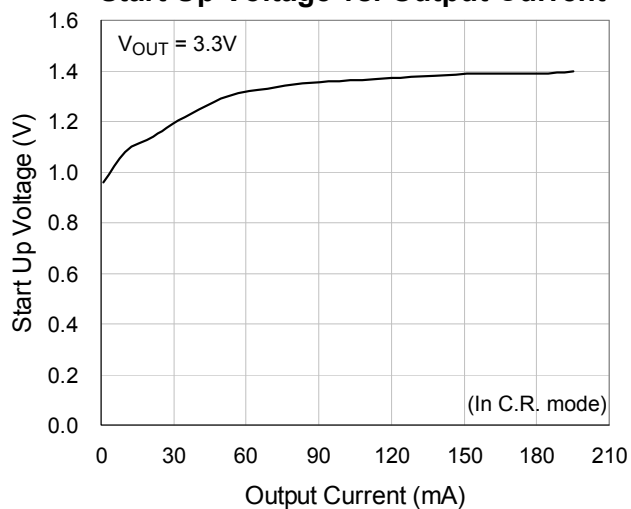
Input Current I(VIN) vs. Input Voltage



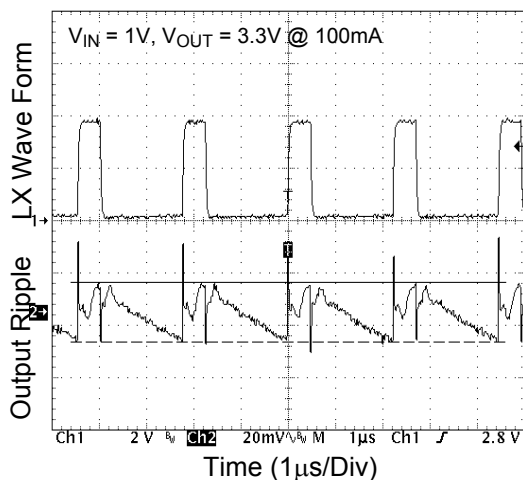
Switching Frequency vs. V_{DD} Pin Voltage



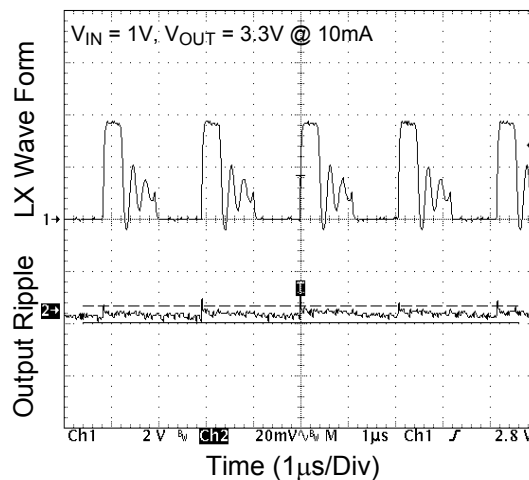
Start Up Voltage vs. Output Current



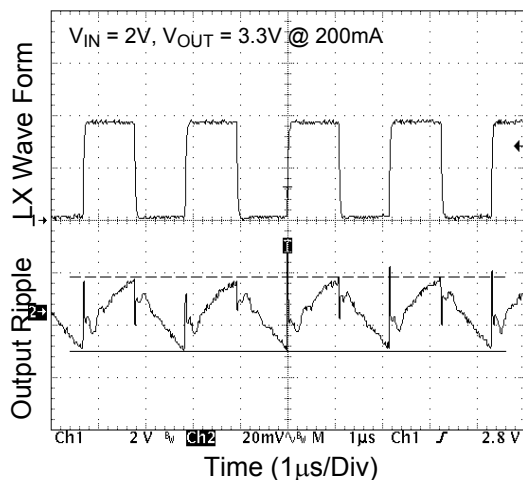
LX Pin Wave Form & Output Ripple



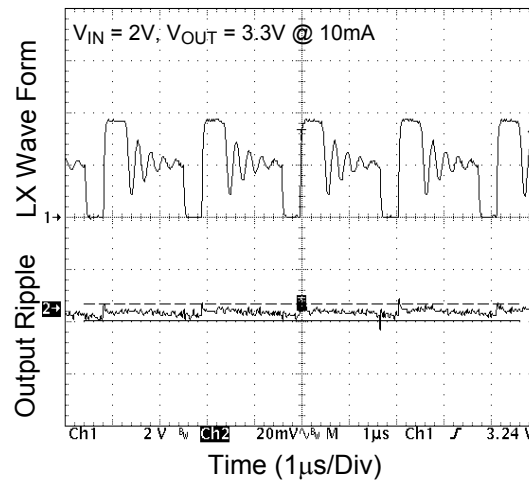
LX Pin Wave Form & Output Ripple



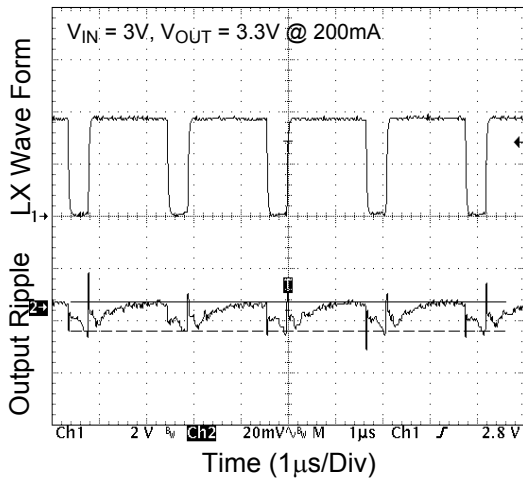
LX Pin Wave Form & Output Ripple



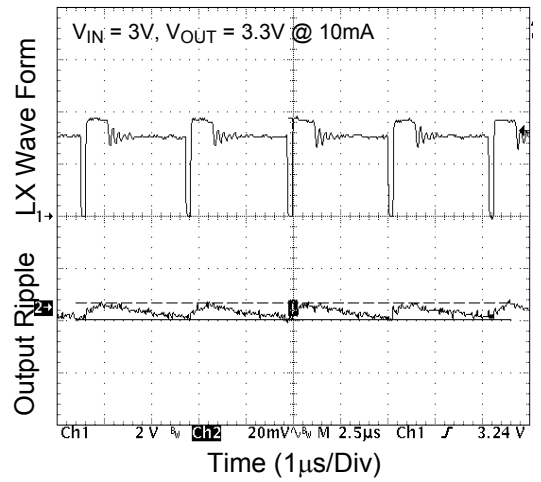
LX Pin Wave Form & Output Ripple



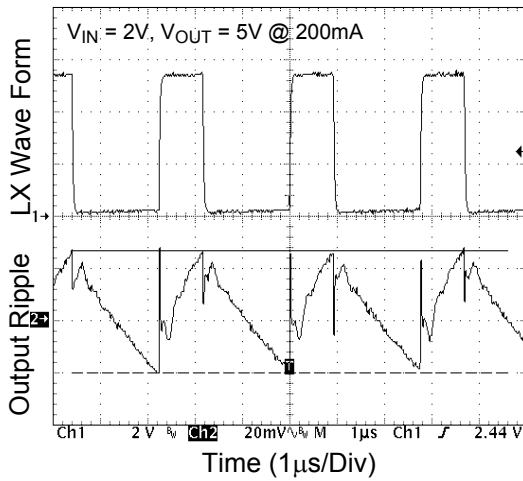
LX Pin Wave Form & Output Ripple



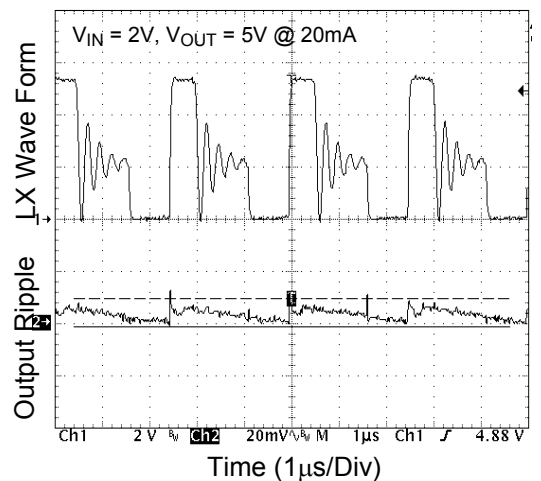
LX Pin Wave Form & Output Ripple



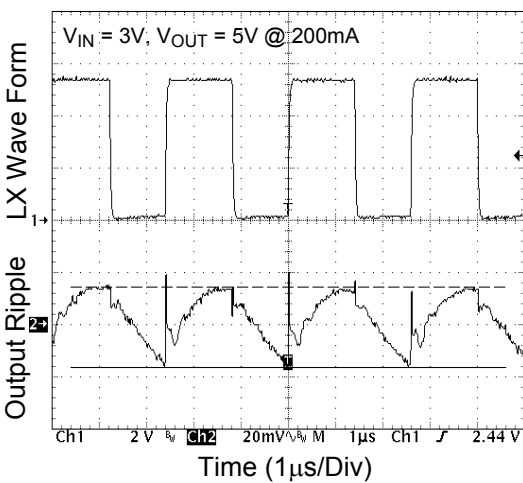
LX Pin Wave Form & Output Ripple



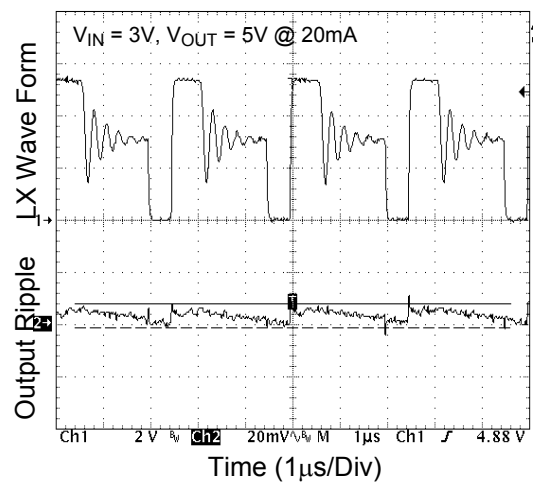
LX Pin Wave Form & Output Ripple



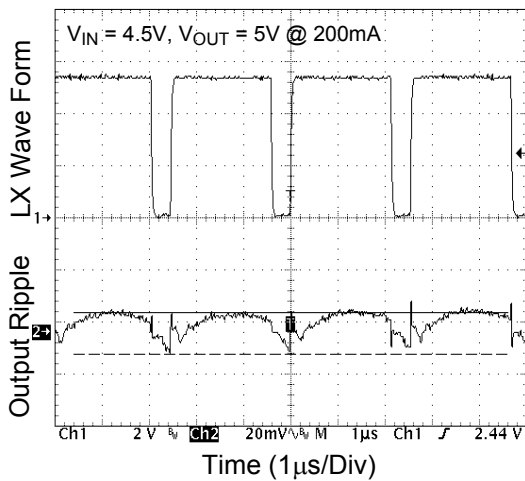
LX Pin Wave Form & Output Ripple



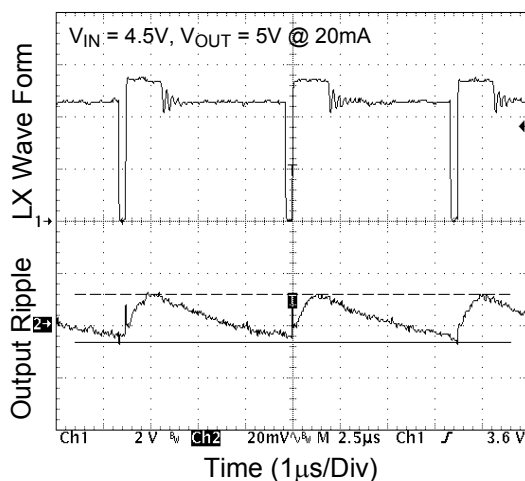
LX Pin Wave Form & Output Ripple



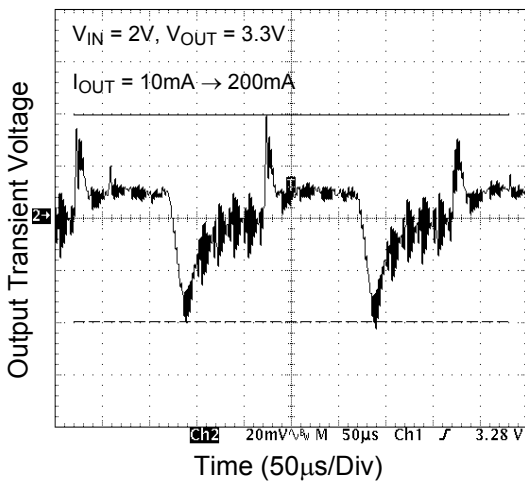
LX Pin Wave Form & Output Ripple



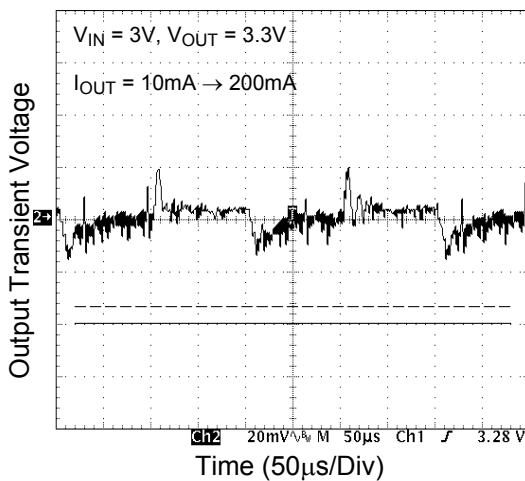
LX Pin Wave Form & Output Ripple



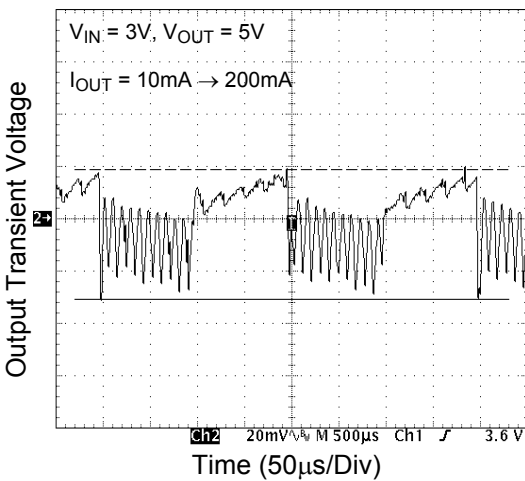
Transient Response



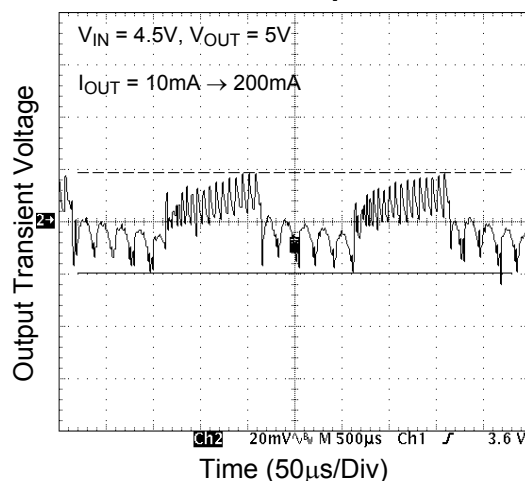
Transient Response



Transient Response



Transient Response



Application Note

Output Voltage Setting

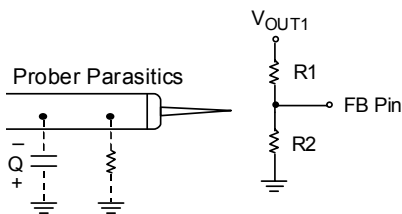
Referring to application circuits, the output voltage of the switching regulator (V_{OUT}) can be set with Eq.1.

$$V_{OUT1} = \left(1 + \frac{R1}{R2}\right) \times 1.25V \quad \text{Eq.1}$$

Feedback Loop Design

Referring to application circuits, The selection of R1 and R2 based on the trade-off between quiescent current consumption and interference immunity is stated below:

- Follow Eq.1
- Higher R reduces the quiescent current (Path current = $1.25V/R2$), however resistors beyond $5M\Omega$ are not recommended.
- Lower R gives better noise immunity, and is less sensitive to interference, layout parasitics, FB node leakage, and improper probing to FB pins.



- A proper value of feed forward capacitor parallel with R1 can improve the noise immunity of the feedback loops, especially in an improper layout. An empirical suggestion is around $0\sim 33pF$ for feedback resistors of $M\Omega$, and $10nF\sim 0.1\mu F$ for feedback resistors of tens to hundreds $K\Omega$.

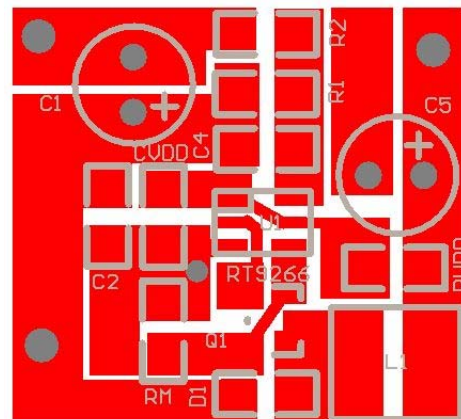
For applications without standby or suspend modes, lower values of R1 and R2 are preferred. For applications concerning the current consumption in standby or suspend modes, the higher values of R1 and R2 are needed. Such “high impedance feedback loops” are sensitive to any interference, which require careful layout and avoid any interference, e.g. probing to FB pin.

Layout Guide

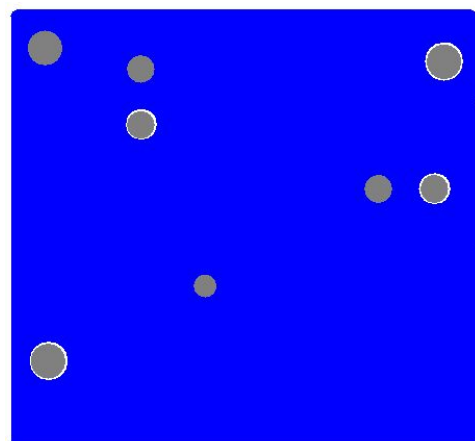
- A full GND plane without gap break.
- V_{DD} to GND noise bypass – Short and wide connection for the $1\mu F$ MLCC capacitor between Pin5 and Pin3.
- V_{IN} to GND noise bypass – Add a capacitor close to L1 inductor, when V_{IN} is not an idea voltage source.
- Minimized FB node copper area and keep far away from noise sources.
- Minimized parasitic capacitance connecting to LX and EXT nodes, which may cause additional switching loss.

Board Layout Example (2-Layer Board)

(Refer to Application Circuit Fig. 2 for the board)

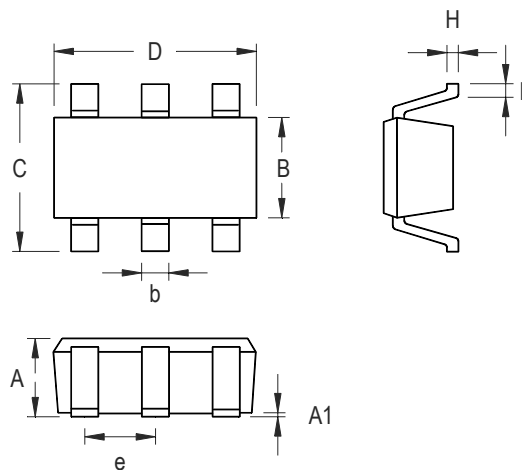


- Top Layer -



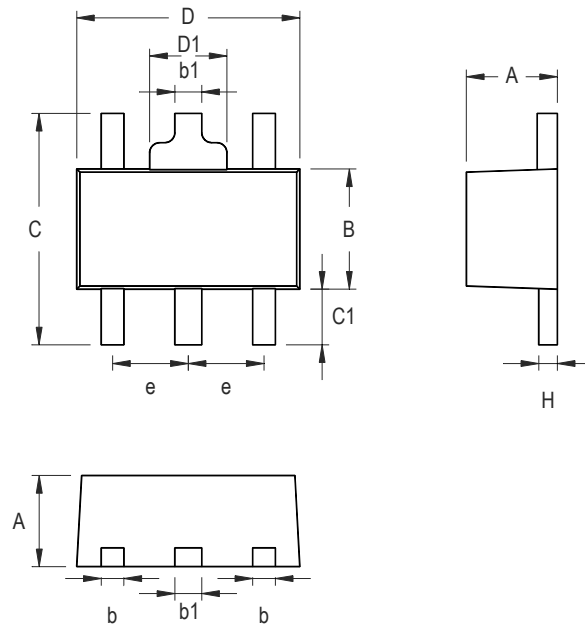
- Bottom Layer -

Package Information



Symbol	Dimensions In Millimeters		Dimensions In Inches	
	Min	Max	Min	Max
A	0.889	1.295	0.035	0.051
A1	--	0.152	--	0.006
B	1.397	1.803	0.055	0.071
b	0.356	0.559	0.014	0.022
C	2.591	2.997	0.102	0.118
D	2.692	3.099	0.106	0.122
e	0.838	1.041	0.033	0.041
H	0.102	0.254	0.004	0.010
L	0.356	0.610	0.014	0.024

SOT-26 Surface Mount Package



Symbol	Dimensions In Millimeters		Dimensions In Inches	
	Min	Max	Min	Max
A	1.400	1.600	0.055	0.063
b	0.360	0.520	0.014	0.020
B	2.400	2.600	0.094	0.102
b1	0.406	0.533	0.016	0.021
C	--	4.250	--	0.167
C1	0.800	--	0.031	--
D	4.400	4.600	0.173	0.181
D1	--	1.700	--	0.067
e	1.400	1.600	0.055	0.063
H	0.380	0.430	0.014	0.017

5-Lead SOT-89 Surface Mount

RICHTEK TECHNOLOGY CORP.

Headquarter

5F, No. 20, Taiyuen Street, Chupei City

Hsinchu, Taiwan, R.O.C.

Tel: (8863)5526789 Fax: (8863)5526611

RICHTEK TECHNOLOGY CORP.

Taipei Office (Marketing)

8F-1, No. 137, Lane 235, Paochiao Road, Hsintien City

Taipei County, Taiwan, R.O.C.

Tel: (8862)89191466 Fax: (8862)89191465

Email: marketing@richtek.com