

# 14-Bit Rail-to-Rail Micropower DAC in MSOP

## FEATURES

- 14-Bit Resolution
- **8-Lead MSOP Package**
- **Buffered True Rail-to-Rail Voltage Output**
- 3V or 5V Single Supply Operation
- Very Low Power:  $I_{CC(TYP)} = 270\mu A$
- Power-On Reset
- 3-Wire Cascadable Serial Interface is Compatible with SPI and MICROWIRE™
- **Maximum DNL Error: 1LSB**
- Low Cost

## APPLICATIONS

- Digital Calibration
- Industrial Process Control
- Automatic Test Equipment
- Cellular Telephones

## DESCRIPTION

The LTC®1658 is a single supply, rail-to-rail voltage output, 14-bit digital-to-analog converter (DAC) in an 8-lead MSOP package. It includes an output buffer amplifier and an easy-to-use 3-wire cascadable serial interface.

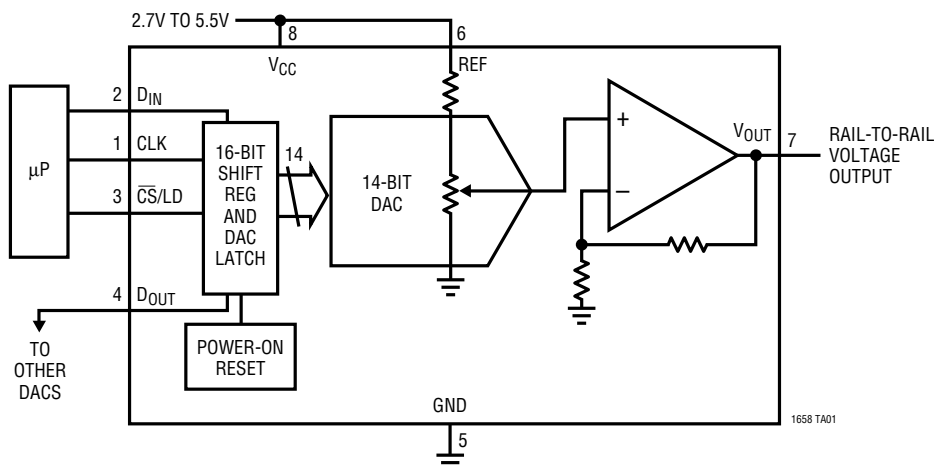
The LTC1658 output swings from 0V to  $V_{REF}$ . The REF pin can be tied to  $V_{CC}$  for rail-to-rail output swing. The LTC1658 operates from a single 2.7V to 5.5V supply. The typical power supply current is 270 $\mu A$ .

The low power supply current makes the LTC1658 ideal for battery-powered applications. The space saving MSOP provides the smallest 14-bit DAC system available.

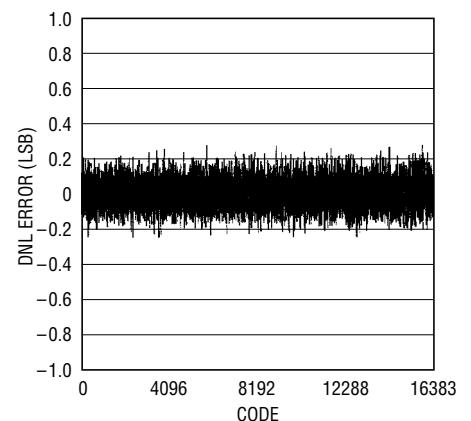
LT, LTC and LT are registered trademarks of Linear Technology Corporation. MICROWIRE is a trademark of National Semiconductor Corporation.

## TYPICAL APPLICATION

Functional Block Diagram: 14-Bit Rail-to-Rail DAC



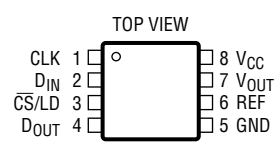
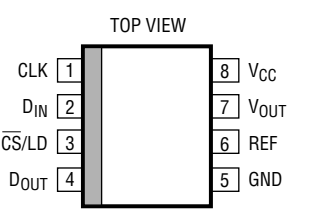
Differential Nonlinearity vs Input Code



## ABSOLUTE MAXIMUM RATINGS (Note 1)

$V_{CC}$ to GND .....	-0.5V to 7.5V	Operating Temperature Range	
TTL Input Voltage .....	-0.5V to 7.5V	Commercial .....	0°C to 70°C
$V_{REF}$ .....	-0.5V to 7.5V	Industrial .....	-40°C to 85°C
$V_{OUT}$ .....	-0.5V to ( $V_{CC} + 0.5V$ )	Storage Temperature Range .....	-65°C to 150°C
Junction Temperature .....	-65°C to 125°C	Lead Temperature (Soldering, 10 sec) .....	300°C

## PACKAGE/ORDER INFORMATION

 <p>MS8 PACKAGE 8-LEAD PLASTIC MSOP <math>T_{JMAX} = 150^{\circ}C, \theta_{JA} = 250^{\circ}C/W</math></p>	ORDER PART NUMBER	 <p>N8 PACKAGE 8-LEAD PDIP <math>T_{JMAX} = 125^{\circ}C, \theta_{JA} = 100^{\circ}C/W(N8)</math> <math>T_{JMAX} = 125^{\circ}C, \theta_{JA} = 150^{\circ}C/W(S8)</math></p>	ORDER PART NUMBER
	LTC1658CMS8 LTC1658IMS8		LTC1658CN8 LTC1658IN8 LTC1658CS8 LTC1658IS8
	MS8 PART MARKING		S8 PART MARKING
	LTCW LTFW		1658 1658I

Consult factory for Military grade parts.

## ELECTRICAL CHARACTERISTICS

$V_{CC} = 2.7V$  to  $5.5V$ ,  $V_{OUT}$  unloaded,  $REF \leq V_{CC}$ ,  $T_A = T_{MIN}$  to  $T_{MAX}$ , unless otherwise noted.

SYMBOL	PARAMETER	CONDITIONS	MIN	TYP	MAX	UNITS
<b>DAC</b>						
	Resolution		●	14		Bits
	Monotonicity		●	14		Bits
DNL	Differential Nonlinearity	$V_{REF} \leq V_{CC} - 0.1V$ (Note 2)	●		±1.0	LSB
INL	Integral Nonlinearity	$V_{REF} \leq V_{CC} - 0.1V$ (Note 2)	●		±8.0	LSB
	Zero Scale Error	$T_A = 25^{\circ}C$ , N8 and S8 Package $T_A = T_{MIN}$ to $T_{MAX}$ , N8 and S8 Package $T_A = T_{MIN}$ to $T_{MAX}$ , MSOP Package	● ● ●		1.5 4.0 7.0	mV
	Offset Error	$T_A = 25^{\circ}C$ , N8 and S8 Package, (Note 7) $T_A = T_{MIN}$ to $T_{MAX}$ , N8 and S8 Package, (Note 7) $T_A = T_{MIN}$ to $T_{MAX}$ , MSOP Package, (Note 7)	● ● ●		±1.5 ±4.0 ±7.0	mV
$V_{OS}TC$	Offset Error Temperature Coefficient				±5	$\mu V/^{\circ}C$
	Gain Error		●		±20	LSB
	Gain Error Drift				±2.5	ppm/ $^{\circ}C$
<b>Power Supply</b>						
$V_{CC}$	Positive Supply Voltage	For Specified Performance	●	2.7	5.5	V
$I_{CC}$	Supply Current	$2.7V \leq V_{CC} \leq 5.5V$ (Note 4)	●	270	550	$\mu A$
<b>Op Amp DC Performance</b>						
	Short-Circuit Current Low	$V_{OUT}$ Shorted to GND	●	55	120	mA
	Short-Circuit Current High	$V_{OUT}$ Shorted to $V_{CC}$	●	55	120	mA

## ELECTRICAL CHARACTERISTICS

$V_{CC} = 2.7V$  to  $5.5V$ ,  $V_{OUT}$  unloaded,  $REF \leq V_{CC}$ ,  $T_A = T_{MIN}$  to  $T_{MAX}$ , unless otherwise noted.

SYMBOL	PARAMETER	CONDITIONS	MIN	TYP	MAX	UNITS
	Output Impedance to GND	Input Code = 0	●	70	200	$\Omega$
	Output Line Regulation	Input Code = 16383, $V_{CC} = 2.7V$ to $5.5V$ , $REF = 2.5V$	●		1.5	mV/V

### AC Performance

	Voltage Output Slew Rate		●	0.35	1.0	V/ $\mu$ s
	Voltage Output Settling Time	(Note 3) to $\pm 0.5LSB$			12	$\mu$ s
	Digital Feedthrough				0.3	nV•s

### Reference Input

$R_{IN}$	REF Input Resistance		●	30	60	k $\Omega$
$V_{REF}$	REF Input Range	(Notes 5, 6)	●	0	$V_{CC}$	V

### Digital I/O

$V_{IH}$	Digital Input High Voltage	$V_{CC} = 5V$	●	2.4		V
$V_{IL}$	Digital Input Low Voltage	$V_{CC} = 5V$	●		0.8	V
$V_{OH}$	Digital Output High Voltage	$V_{CC} = 5V$ , $I_{OUT} = -1mA$ , $D_{OUT}$ Only	●	$V_{CC} - 0.7$		V
$V_{OL}$	Digital Output Low Voltage	$V_{CC} = 5V$ , $I_{OUT} = 1mA$ , $D_{OUT}$ Only	●		0.4	V
$V_{IH}$	Digital Input High Voltage	$V_{CC} = 3V$	●	2.0		V
$V_{IL}$	Digital Input Low Voltage	$V_{CC} = 3V$	●		0.6	V
$V_{OH}$	Digital Output High Voltage	$V_{CC} = 3V$ , $I_{OUT} = -1mA$ , $D_{OUT}$ Only	●	$V_{CC} - 0.7$		V
$V_{OL}$	Digital Output Low Voltage	$V_{CC} = 3V$ , $I_{OUT} = 1mA$ , $D_{OUT}$ Only	●		0.4	V
$I_{LEAK}$	Digital Input Leakage	$V_{IN} = GND$ to $V_{CC}$	●		$\pm 10$	$\mu$ A
$C_{IN}$	Digital Input Capacitance	(Note 6)	●		10	pF

### Switching ( $V_{CC} = 4.5V$ to $5.5V$ )

$t_1$	$D_{IN}$ Valid to CLK Setup		●	40		ns
$t_2$	$D_{IN}$ Valid to CLK Hold		●	0		ns
$t_3$	CLK High Time	(Note 6)	●	40		ns
$t_4$	CLK Low Time	(Note 6)	●	40		ns
$t_5$	$\overline{CS}/LD$ Pulse Width	(Note 6)	●	50		ns
$t_6$	LSB CLK to $\overline{CS}/LD$	(Note 6)	●	40		ns
$t_7$	$\overline{CS}/LD$ Low to CLK	(Note 6)	●	20		ns
$t_8$	$D_{OUT}$ Output Delay	$C_{LOAD} = 15pF$	●	5	100	ns
$t_9$	CLK Low to $\overline{CS}/LD$ Low	(Note 6)	●	20		ns

### Switching ( $V_{CC} = 2.7V$ to $5.5V$ )

$t_1$	$D_{IN}$ Valid to CLK Setup		●	60		ns
$t_2$	$D_{IN}$ Valid to CLK Hold		●	0		ns
$t_3$	CLK High Time	(Note 6)	●	60		ns
$t_4$	CLK Low Time	(Note 6)	●	60		ns
$t_5$	$\overline{CS}/LD$ Pulse Width	(Note 6)	●	80		ns
$t_6$	LSB CLK to $\overline{CS}/LD$	(Note 6)	●	60		ns
$t_7$	$\overline{CS}/LD$ Low to CLK	(Note 6)	●	30		ns
$t_8$	$D_{OUT}$ Output Delay	$C_{LOAD} = 15pF$	●	10	150	ns
$t_9$	CLK Low to $\overline{CS}/LD$ Low	(Note 6)	●	30		ns

## ELECTRICAL CHARACTERISTICS

The ● denotes specifications which apply over the full operating temperature range.

**Note 1:** Absolute Maximum Ratings are those values beyond which the life of a device may be impaired.

**Note 2:** Nonlinearity is defined from code 50 to code 16383 (full scale). See Applications Information.

**Note 3:** DAC switched between code 16383 and code 50.

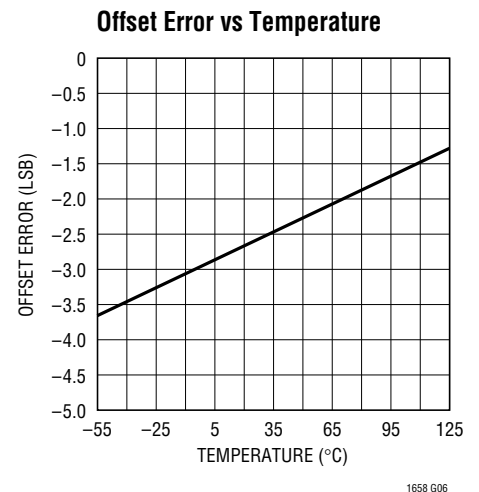
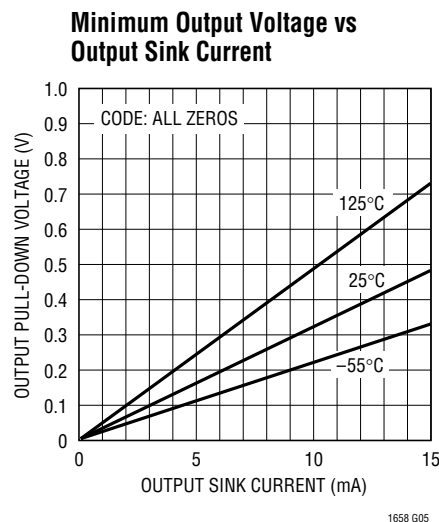
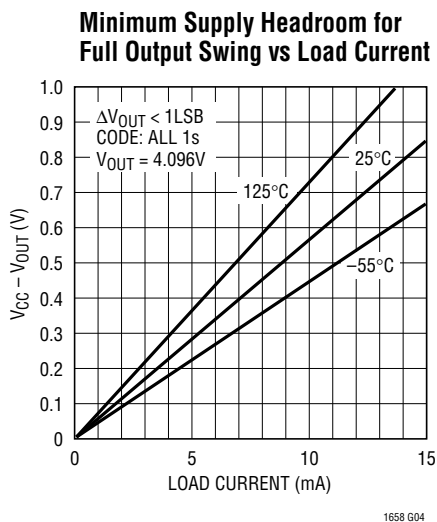
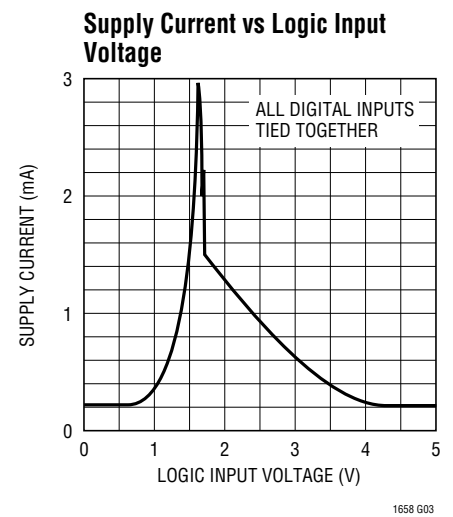
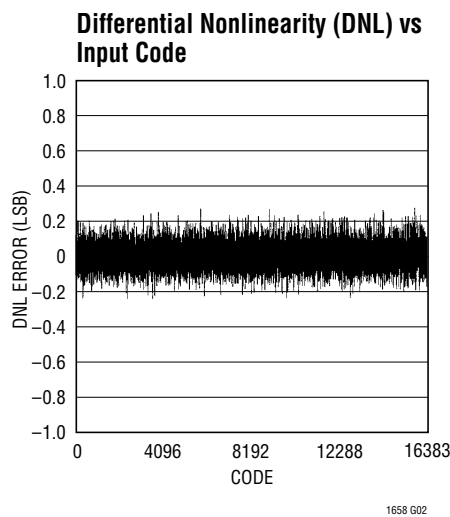
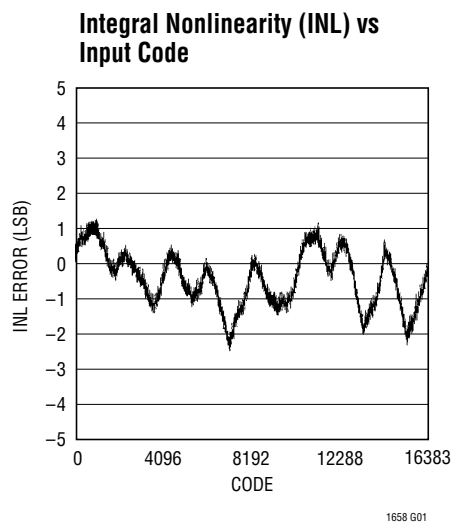
**Note 4:** Digital inputs at 0V or  $V_{CC}$ .

**Note 5:**  $V_{OUT}$  can only swing from  $(GND + |V_{OS}|)$  to  $(V_{CC} - |V_{OS}|)$  when output is unloaded. See Applications Information.

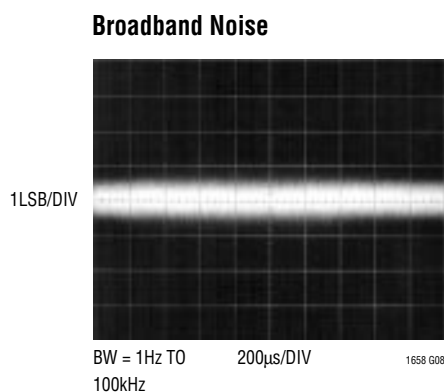
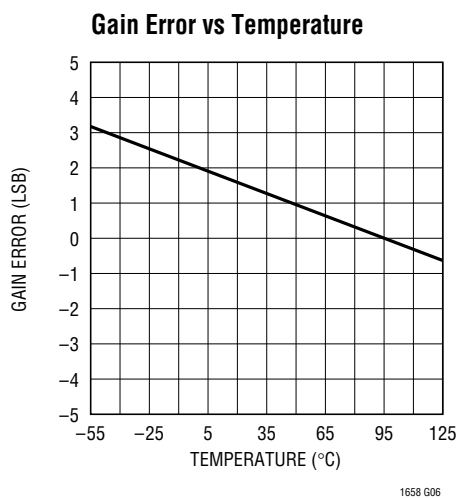
**Note 6:** Guaranteed by design. Not subject to test.

**Note 7:** Measured at code 50.

## TYPICAL PERFORMANCE CHARACTERISTICS



## TYPICAL PERFORMANCE CHARACTERISTICS



## PIN FUNCTIONS

**CLK (Pin 1):** The TTL Level Input for the Serial Interface Clock.

**D<sub>IN</sub> (Pin 2):** The TTL Level Input for the Serial Interface Data. Data on the D<sub>IN</sub> pin is latched into the shift register on the rising edge of the serial clock and is loaded MSB first. The LTC1658 requires a 16-bit word to be loaded in. The last two bits are don't cares.

**$\overline{\text{CS/LD}}$  (Pin 3):** The TTL Level Input for the Serial Interface Enable and Load Control. When  $\overline{\text{CS/LD}}$  is low the CLK signal is enabled, so the data can be clocked in. When  $\overline{\text{CS/LD}}$  is pulled high, data is loaded from the shift register into the DAC register, updating the DAC output.

**D<sub>OUT</sub> (Pin 4):** Output of the Shift Register Which Becomes Valid on the Rising Edge of the Serial Clock.

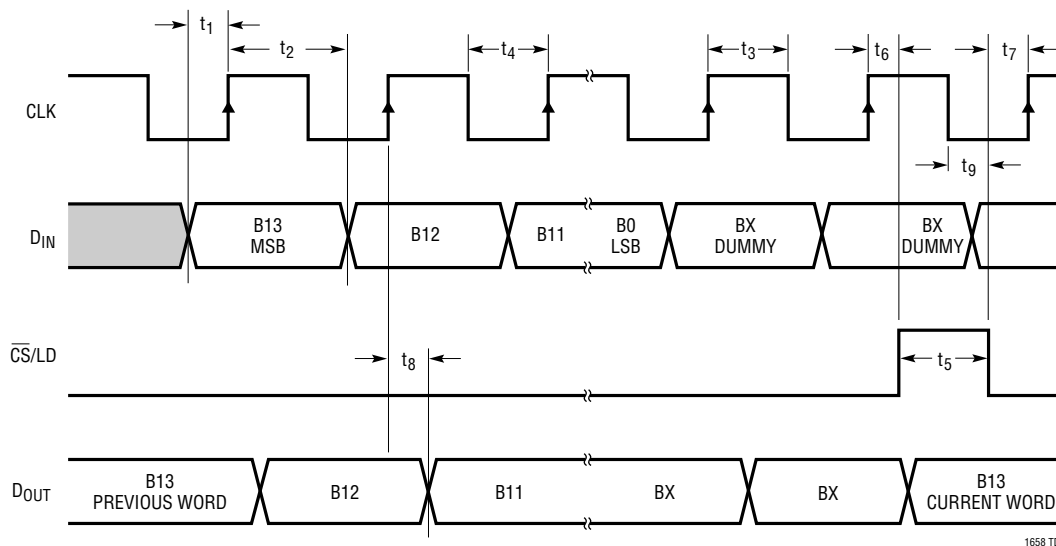
**GND (Pin 5):** Ground.

**REF (Pin 6):** Reference Input. There is a gain of one from this pin to the output. When tied to V<sub>CC</sub> the output will swing from GND to V<sub>CC</sub>. The output can only swing to within it's offset specification of V<sub>CC</sub> (see Applications Information).

**V<sub>OUT</sub> (Pin 7):** Buffered Rail-to-Rail DAC Output.

**V<sub>CC</sub> (Pin 8):** Positive Supply Input.  $2.7V \leq V_{CC} \leq 5.5V$ .

## TIMING DIAGRAM



## DEFINITIONS

**Differential Nonlinearity (DNL):** The difference between the measured change and the ideal 1LSB change for any two adjacent codes. The DNL error between any two codes is calculated as follows:

$$DNL = (\Delta V_{OUT} - LSB) / LSB$$

Where  $\Delta V_{OUT}$  is the measured voltage difference between two adjacent codes.

**Digital Feedthrough:** The glitch that appears at the analog output caused by AC coupling from the digital inputs when they change state. The area of the glitch is specified in (nV)(sec).

**Gain Error:** Gain error is the difference between the output of a DAC from its ideal full-scale value after offset error has been adjusted.

**Integral Nonlinearity (INL):** The deviation from a straight line passing through the endpoints of the DAC transfer curve (Endpoint INL). Because the output cannot go below zero, the linearity is measured between full scale and the lowest code which guarantees the output will be greater

than zero. The INL error at a given input code is calculated as follows:

$$INL = [V_{OUT} - V_{OS} - (V_{FS} - V_{OS})(code/16383)] / LSB$$

Where  $V_{OUT}$  is the output voltage of the DAC measured at the given input code.

**Least Significant Bit (LSB):** The ideal voltage difference between two successive codes.

$$LSB = V_{REF} / 16384$$

**Resolution (n):** Defines the number of DAC output states ( $2^n$ ) that divide the full-scale range. Resolution does not imply linearity.

**Voltage Offset Error ( $V_{OS}$ ):** Nominally, the voltage at the output when the DAC is loaded with all zeros. A single supply DAC can have a true negative offset, but the output cannot go below zero (see Applications Information).

For this reason, single supply DAC offset is measured at the lowest code that guarantees the output will be greater than zero.

## OPERATION

### Serial Interface

The data on the  $D_{IN}$  input is loaded into the shift register on the rising edge of the clock. The MSB is loaded first. The DAC register loads the data from the shift register when  $\overline{CS/LD}$  is pulled high. The clock is disabled internally when  $\overline{CS/LD}$  is high. Note: CLK must be low before  $\overline{CS/LD}$  is pulled low to avoid an extra internal clock pulse. The input word must be 16 bits wide. The last two bits are don't cares.

The buffered output of the 16-bit shift register is available on the  $D_{OUT}$  pin which swings from GND to  $V_{CC}$ .

Multiple LTC1658s may be daisy-chained together by connecting the  $D_{OUT}$  pin to the  $D_{IN}$  pin of the next chip while the clock and  $\overline{CS/LD}$  signals remain common to all chips in the daisy chain. The serial data is clocked to all of

the chips then the  $\overline{CS/LD}$  signal is pulled high to update all of them simultaneously.

### Voltage Output

The LTC1658 rail-to-rail buffered output can source or sink 5mA over the entire operating temperature range while pulling to within 400mV of the positive supply voltage or ground. The output swings to within a few millivolts of either supply rail when unloaded and has an equivalent output resistance of 40 $\Omega$ , at 5V  $V_{CC}$ , when driving a load to the rails. The output can drive 1000pF without going into oscillation.

The output swings from 0V to the voltage at the REF pin, i.e., there is a gain of 1 from REF to  $V_{OUT}$ . Please note, if REF is tied to  $V_{CC}$  the output can only swing to  $(V_{CC} - V_{OS})$ . See Applications Information.

## APPLICATIONS INFORMATION

### Rail-to-Rail Output Considerations

In any rail-to-rail DAC, the output swing is limited to voltages within the supply range.

If the DAC offset is negative, the output for the lowest codes limits at 0V as shown in Figure 1b.

Similarly, limiting can occur near full scale when the REF pin is tied to  $V_{CC}$ . If  $V_{REF} = V_{CC}$  and the DAC full-scale error

(FSE) is positive, the output for the highest codes limits at  $V_{CC}$  as shown in Figure 1c. No full-scale limiting can occur if  $V_{REF}$  is less than  $V_{CC} - FSE$ .

Offset and linearity are defined and tested over the region of the DAC transfer function where no output limiting can occur.

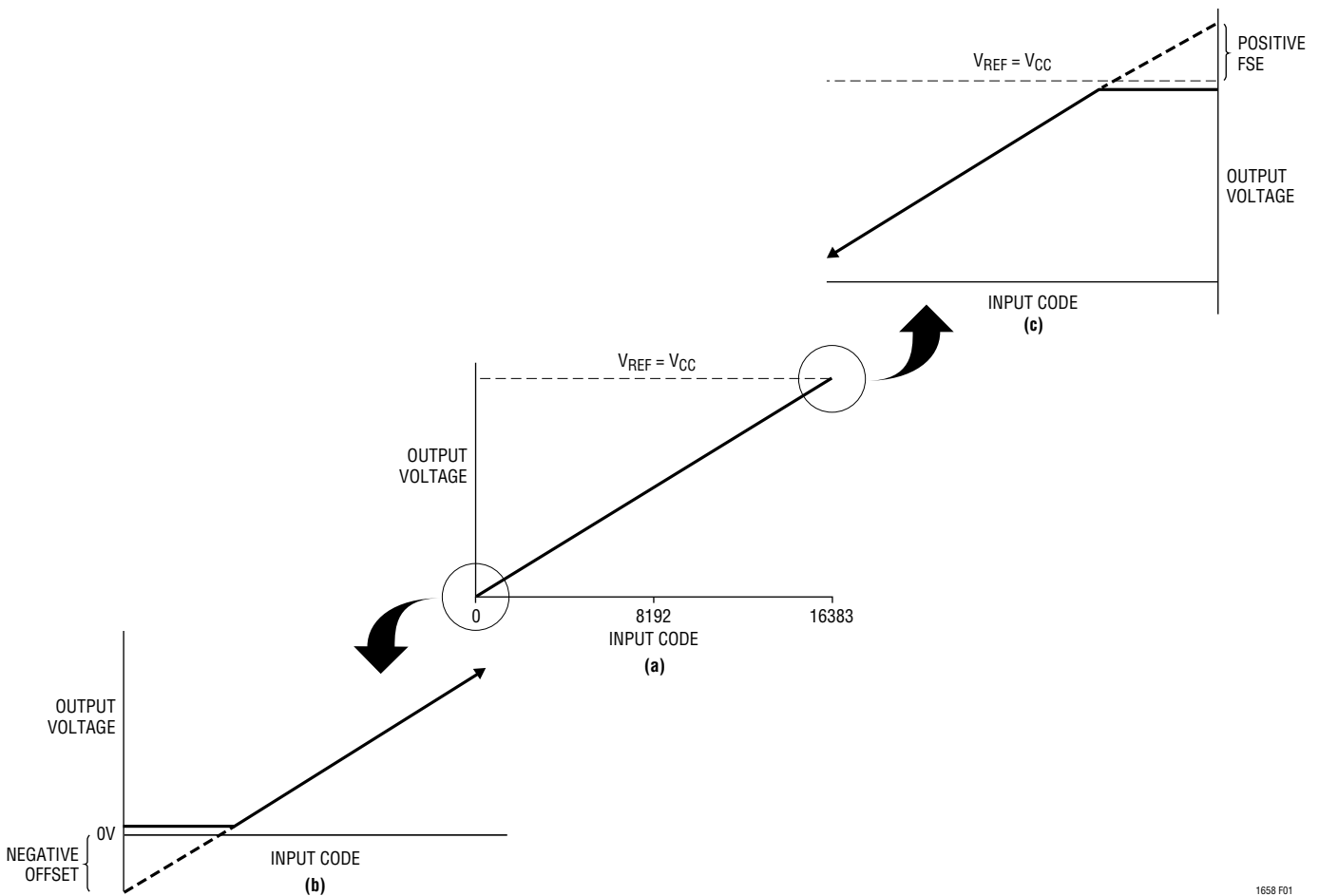
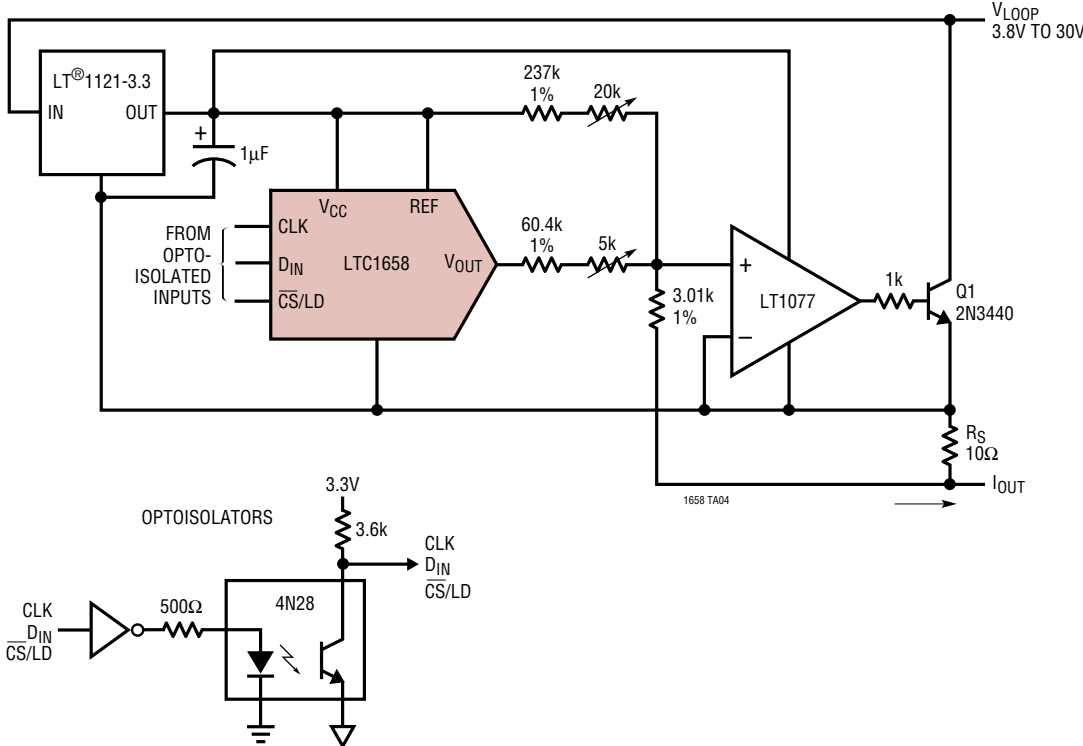


Figure 1. Effects of Rail-to-Rail Operation On a DAC Transfer Curve. (a) Overall Transfer Function (b) Effect of Negative Offset for Codes Near Zero Scale (c) Effect of Positive Full-Scale Error for Input Codes Near Full Scale When  $V_{REF} = V_{CC}$



# TYPICAL APPLICATIONS

### An Optoisolated 4mA to 20mA Process Controller

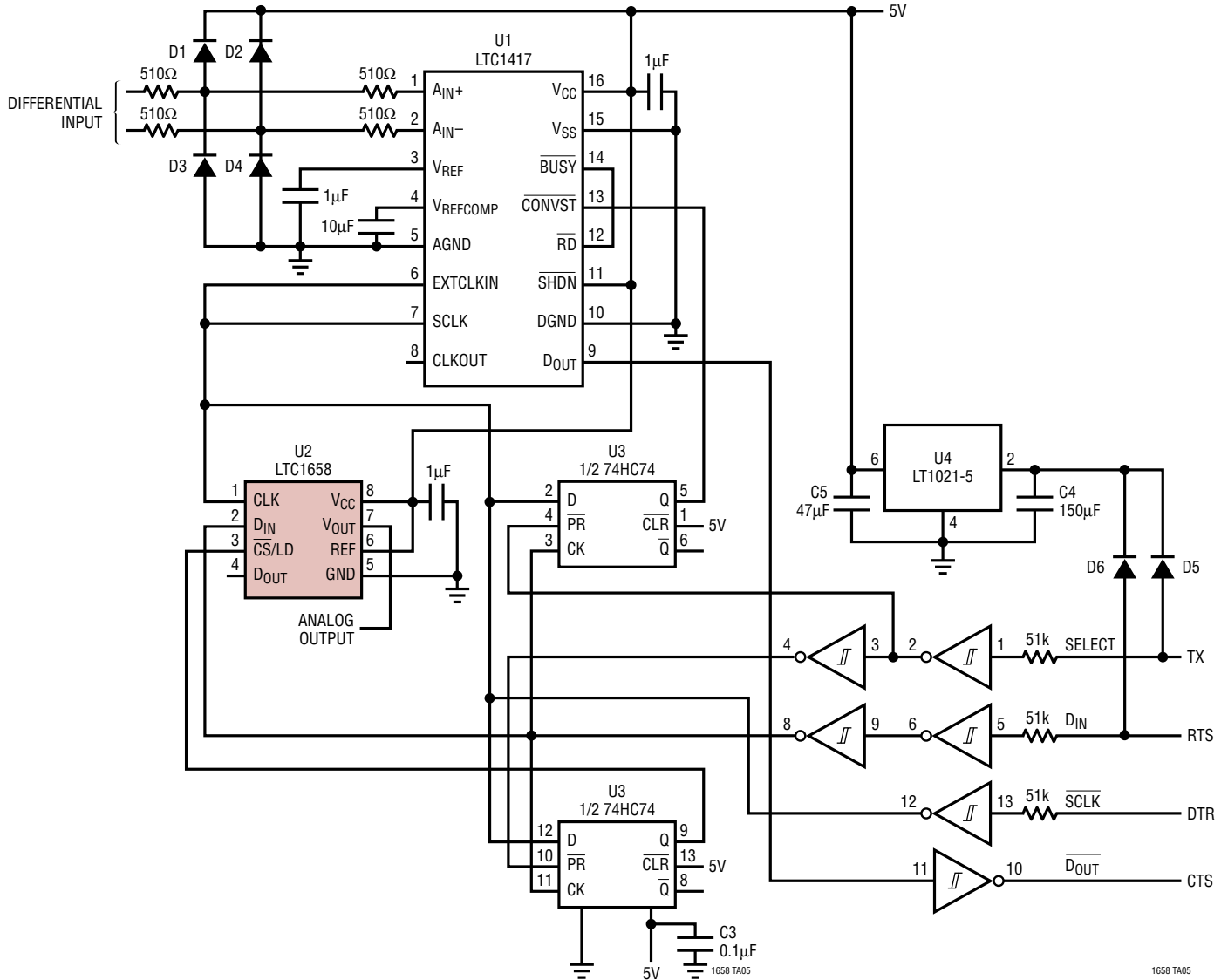


This circuit shows how to use an LTC1658 to make an optoisolated digitally controlled 4mA to 20mA process controller. The controller circuitry, including the optoisolation, is powered by the loop voltage that can have a wide range of 3.8V to 30V. The 3.3V output of the LT1121-3.3 is used for the 4mA offset current and  $V_{OUT}$  is

used for the digitally controlled 0mA to 16mA current.  $R_S$  is a sense resistor and the op amp modulates the transistor Q1 to provide the 4mA to 20mA current through this resistor. The potentiometers allow for offset and full-scale adjustment. The control circuitry dissipates well under the 4mA budget at zero-scale.

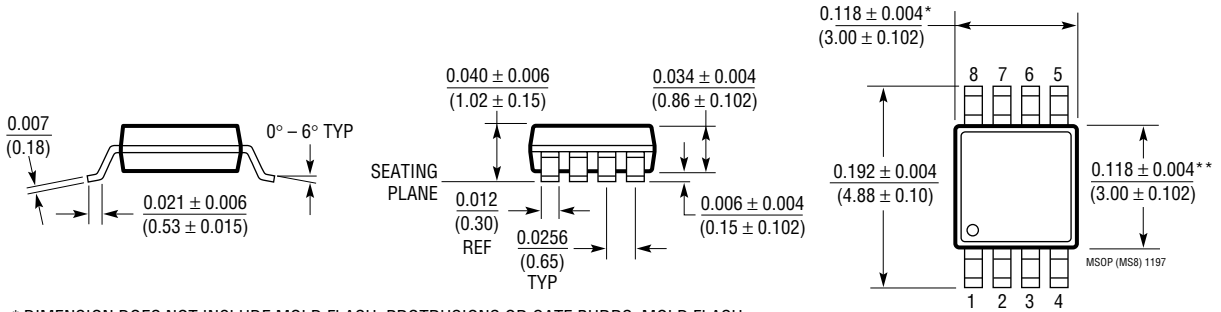
TYPICAL APPLICATIONS

A 14-Bit Analog Input/Output Channel for a PC



**PACKAGE DESCRIPTION** Dimensions in inches (millimeters) unless otherwise noted.

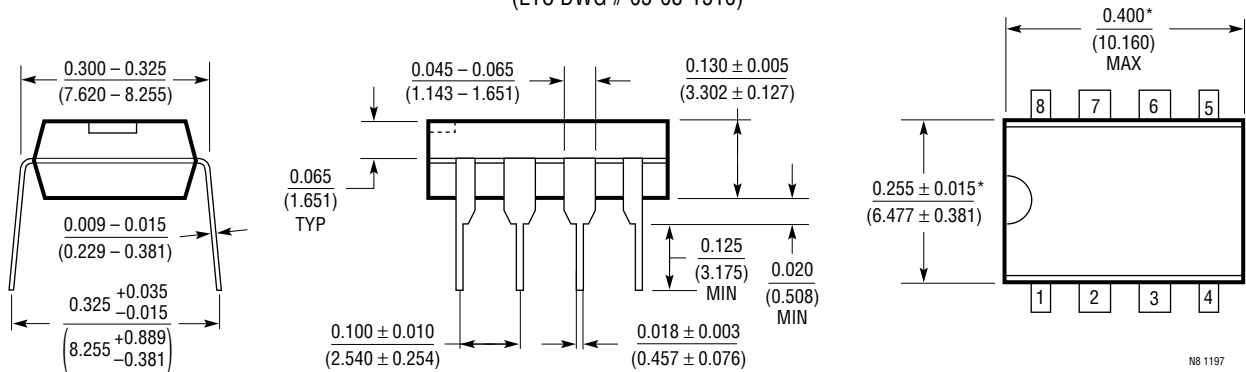
**MS8 Package**  
**8-Lead Plastic MSOP**  
 (LTC DWG # 05-08-1660)



\* DIMENSION DOES NOT INCLUDE MOLD FLASH, PROTRUSIONS OR GATE BURRS. MOLD FLASH, PROTRUSIONS OR GATE BURRS SHALL NOT EXCEED 0.006" (0.152mm) PER SIDE

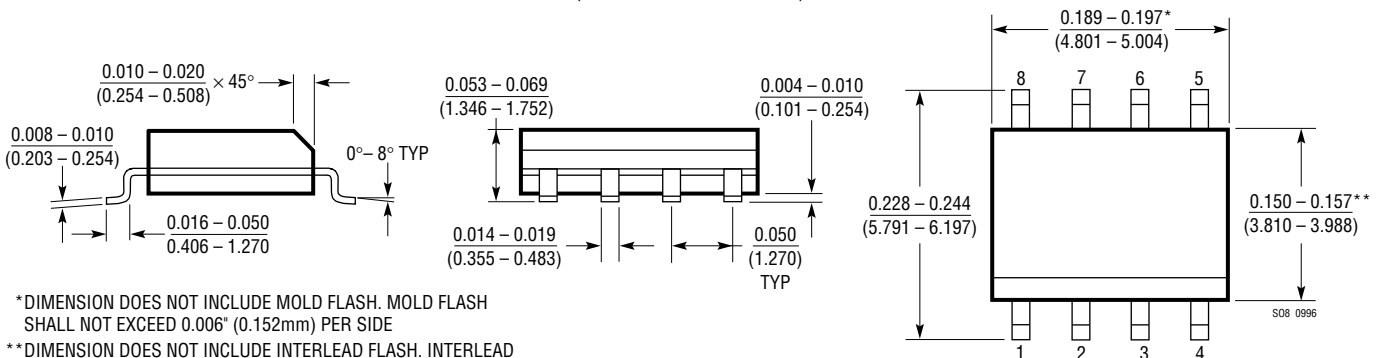
\*\* DIMENSION DOES NOT INCLUDE INTERLEAD FLASH OR PROTRUSIONS. INTERLEAD FLASH OR PROTRUSIONS SHALL NOT EXCEED 0.006" (0.152mm) PER SIDE

**N8 Package**  
**8-Lead PDIP (Narrow 0.300)**  
 (LTC DWG # 05-08-1510)



\*THESE DIMENSIONS DO NOT INCLUDE MOLD FLASH OR PROTRUSIONS. MOLD FLASH OR PROTRUSIONS SHALL NOT EXCEED 0.010 INCH (0.254mm)

**S8 Package**  
**8-Lead Plastic Small Outline (Narrow 0.150)**  
 (LTC DWG # 05-08-1610)

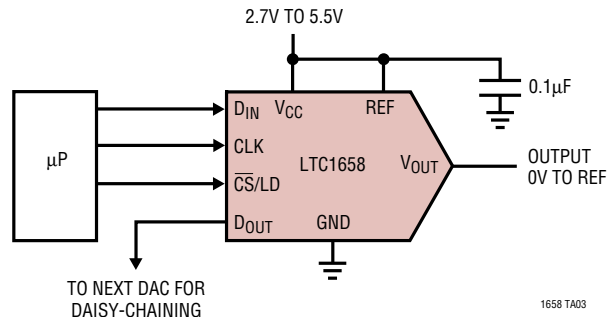


\* DIMENSION DOES NOT INCLUDE MOLD FLASH. MOLD FLASH SHALL NOT EXCEED 0.006" (0.152mm) PER SIDE

\*\* DIMENSION DOES NOT INCLUDE INTERLEAD FLASH. INTERLEAD FLASH SHALL NOT EXCEED 0.010" (0.254mm) PER SIDE

## TYPICAL APPLICATION

## 14-Bit, 3V to 5V Single Supply, Voltage Output DAC



## RELATED PARTS

PART NUMBER	DESCRIPTION	COMMENTS
LTC1257	Single 12-Bit $V_{OUT}$ DAC, Full Scale: 2.048V, $V_{CC}$ : 4.75V to 15.75V, Reference Can Be Overdriven Up to 12V, i.e., $FS_{MAX} = 12V$	5V to 15V Single Supply, Complete $V_{OUT}$ DAC in SO-8 Package
LTC1446/LTC1446L	Dual 12-Bit $V_{OUT}$ DACs in SO-8 Package	LTC1446: $V_{CC} = 4.5V$ to 5.5V, $V_{OUT} = 0V$ to 4.095V LTC1446L: $V_{CC} = 2.7V$ to 5.5V, $V_{OUT} = 0V$ to 2.5V
LTC1448	Dual 12-Bit $V_{OUT}$ DAC, $V_{CC}$ : 2.7V to 5.5V	Output Swings from GND to REF. REF Input Can Be Tied to $V_{CC}$
LTC1450/LTC1450L	Single 12-Bit $V_{OUT}$ DACs with Parallel Interface	LTC1450: $V_{CC} = 4.5V$ to 5.5V, $V_{OUT} = 0V$ to 4.095V LTC1450L: $V_{CC} = 2.7V$ to 5.5V, $V_{OUT} = 0V$ to 2.5V
LTC1451	Single Rail-to-Rail 12-Bit DAC, Full Scale: 4.095V, $V_{CC}$ : 4.5V to 5.5V, Internal 2.048V Reference Brought Out to Pin	5V, Low Power Complete $V_{OUT}$ DAC in SO-8 Package
LTC1452	Single Rail-to-Rail 12-Bit $V_{OUT}$ Multiplying DAC, $V_{CC}$ : 2.7V to 5.5V	Low Power, Multiplying $V_{OUT}$ DAC with Rail-to-Rail Buffer Amplifier in SO-8 Package
LTC1453	Single Rail-to-Rail 12-Bit $V_{OUT}$ DAC, Full Scale: 2.5V, $V_{CC}$ : 2.7V to 5.5V	3V, Low Power, Complete $V_{OUT}$ DAC in SO-8 Package
LTC1454/LTC1454L	Dual 12-Bit $V_{OUT}$ DACs in SO-16 Package with Added Functionality	LTC1454: $V_{CC} = 4.5V$ to 5.5V, $V_{OUT} = 0V$ to 4.095V LTC1454L: $V_{CC} = 2.7V$ to 5.5V, $V_{OUT} = 0V$ to 2.5V
LTC1456	Single Rail-to-Rail Output 12-Bit DAC with Clear Pin, Full Scale: 4.095V, $V_{CC}$ : 4.5V to 5.5V	Low Power, Complete $V_{OUT}$ DAC in SO-8 Package with Clear Pin
LTC1458/LTC1458L	Quad 12 Bit Rail-to-Rail Output DACs with Added Functionality	LTC1458: $V_{CC} = 4.5V$ to 5.5V, $V_{OUT} = 0V$ to 4.095V LTC1458L: $V_{CC} = 2.7V$ to 5.5V, $V_{OUT} = 0V$ to 2.5V
LTC1659	Single Rail-to-Rail 12-Bit $V_{OUT}$ DAC in 8-Pin MSOP, $V_{CC}$ : 2.7V to 5.5V	Low Power, Multiplying $V_{OUT}$ DAC in MS8 Package. Output Swings from GND to REF. REF Input Can Be Tied to $V_{CC}$ .

## References

LT1019	Precision Voltage Reference	Ultralow Drift 5ppm/°C, Initial Accuracy: 0.05%
LT1634	Micropower Precision Reference	Low Drift 10ppm/°C, Initial Accuracy: 0.05%