

DATA SHEET

**PMBFJ108;
PMBFJ109; PMBFJ110**
N-channel junction FETs

Product specification
File under Discrete Semiconductors, SC07

April 1995

N-channel junction FETs

PMBFJ108; PMBFJ109; PMBFJ110

FEATURES

- High-speed switching
- Interchangeability of drain and source connections
- Low R_{DSon} at zero gate voltage ($< 8 \Omega$ for PMBFJ108).

DESCRIPTION

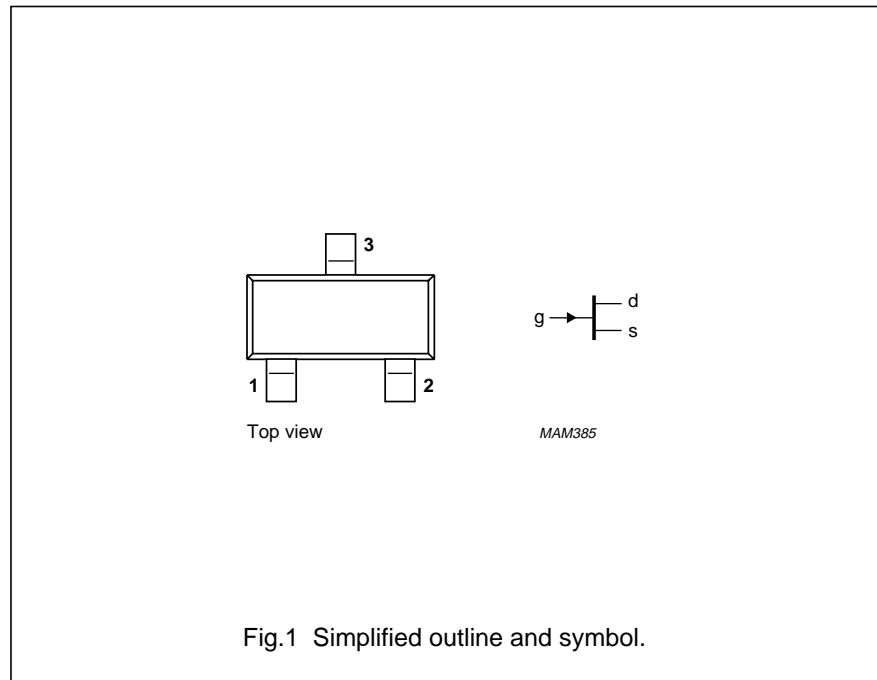
Symmetrical N-channel junction FETs in a SOT23 envelope. Intended for use in applications such as analog switches, choppers and commutators and in audio amplifiers.

PINNING - SOT23

PIN	DESCRIPTION
1	drain
2	source
3	gate

Note

1. Drain and source are interchangeable.



LIMITING VALUES

In accordance with the Absolute Maximum Rating System (IEC 134).

SYMBOL	PARAMETER	CONDITIONS	MIN.	MAX.	UNIT
V_{DS}	drain-source voltage		–	± 25	V
V_{GSO}	gate-source voltage		–	–25	V
V_{GDO}	drain-drain voltage		–	–25	V
I_G	forward gate current (DC)			50	mA
P_{tot}	total power dissipation	$T_{amb} = 25^\circ\text{C}$; note 1	–	250	mW
T_{stg}	storage temperature		–65	150	$^\circ\text{C}$
T_j	operating junction temperature		–	150	$^\circ\text{C}$

N-channel junction FETs

PMBFJ108;
PMBFJ109; PMBFJ110

THERMAL RESISTANCE

SYMBOL	PARAMETER	VALUE	UNIT
$R_{th\ j-a}$	from junction to ambient (note 1)	500	K/W

Notes

1. Mounted on an FR-4 printboard.

STATIC CHARACTERISTICS

 $T_j = 25\text{ }^\circ\text{C}$.

SYMBOL	PARAMETER	CONDITIONS	MIN.	MAX.	UNIT
$-I_{GSS}$	reverse gate current	$-V_{GS} = 15\text{ V}$ $V_{DS} = 0$	–	3	nA
I_{DSX}	drain-source cut-off current	$V_{GS} = -10\text{ V}$ $V_{DS} = 5\text{ V}$	–	3	nA
I_{DSS}	drain current PMBFJ108 PMBFJ109 PMBFJ110	$V_{GS} = 0$ $V_{DS} = 15\text{ V}$	80 40 10	– – –	mA
$-V_{(BR)GSS}$	gate-source breakdown voltage	$-I_G = 1\text{ }\mu\text{A}$ $V_{DS} = 0$	–	25	V
$-V_{GS(off)}$	gate-source cut-off voltage PMBFJ108 PMBFJ109 PMBFJ110	$I_D = 1\text{ }\mu\text{A}$ $V_{DS} = 5\text{ V}$	3 2 0.5	10 6 4	V
$R_{DS(on)}$	drain-source on-resistance PMBFJ108 PMBFJ109 PMBFJ110	$V_{GS} = 0\text{ V}$ $V_{DS} = 0.1\text{ V}$	– – –	8 12 18	Ω

N-channel junction FETs

PMBFJ108;
PMBFJ109; PMBFJ110

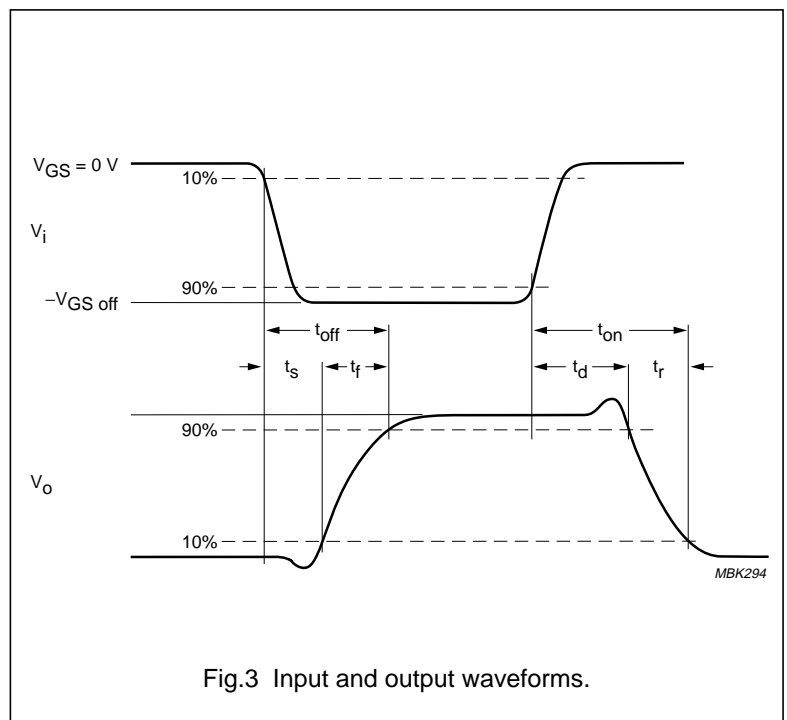
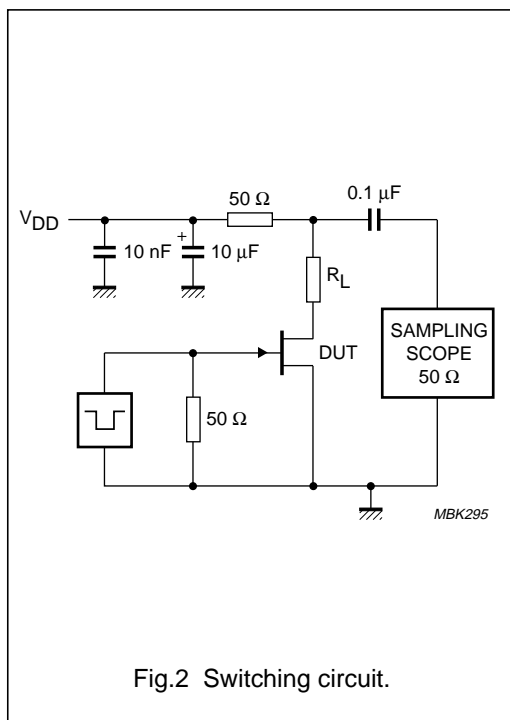
DYNAMIC CHARACTERISTICS

$T_j = 25\text{ }^\circ\text{C}$ unless otherwise specified.

SYMBOL	PARAMETER	CONDITIONS	TYP.	MAX.	UNIT
C_{is}	input capacitance	$V_{DS} = 0$ $-V_{GS} = 10\text{ V}$ $f = 1\text{ MHz}$	15	30	pF
C_{is}	input capacitance	$V_{DS} = 0$ $-V_{GS} = 0$ $f = 1\text{ MHz}$ $T_{amb} = 25\text{ }^\circ\text{C}$	50	85	pF
C_{rs}	feedback capacitance	$V_{DS} = 0$ $-V_{GS} = 10\text{ V}$ $f = 1\text{ MHz}$	8	15	pF
Switching times (see Fig.2)					
t_d	delay time	note 1	2	–	ns
t_{on}	turn-on time	note 1	4	–	ns
t_s	storage time	note 1	4	–	ns
t_{off}	turn-off time	note 1	6	–	ns

Notes

- Test conditions for switching times are as follows:
 $V_{DD} = 1.5\text{ V}$, $V_{GS} = 0$ to $-V_{GS(off)}$ (all types);
 $-V_{GS(off)} = 12\text{ V}$, $R_L = 100\text{ }\Omega$ (PMBFJ108);
 $-V_{GS(off)} = 7\text{ V}$, $R_L = 100\text{ }\Omega$ (PMBFJ109);
 $-V_{GS(off)} = 5\text{ V}$, $R_L = 100\text{ }\Omega$ (PMBFJ110).



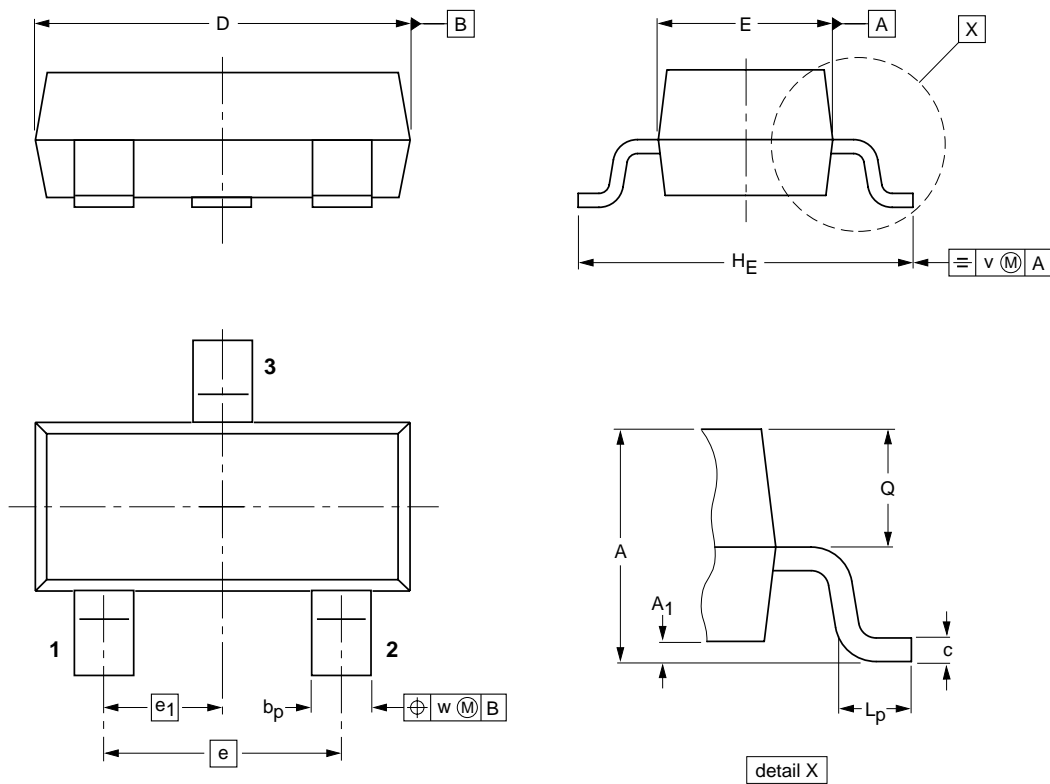
N-channel junction FETs

PMBFJ108;
PMBFJ109; PMBFJ110

PACKAGE OUTLINE

Plastic surface mounted package; 3 leads

SOT23



DIMENSIONS (mm are the original dimensions)

UNIT	A	A ₁ max.	b _p	c	D	E	e	e ₁	H _E	L _p	Q	v	w
mm	1.1 0.9	0.1	0.48 0.38	0.15 0.09	3.0 2.8	1.4 1.2	1.9	0.95	2.5 2.1	0.45 0.15	0.55 0.45	0.2	0.1

OUTLINE VERSION	REFERENCES				EUROPEAN PROJECTION	ISSUE DATE
	IEC	JEDEC	EIAJ			
SOT23						97-02-28

N-channel junction FETs

PMBFJ108;
PMBFJ109; PMBFJ110**DEFINITIONS**

Data sheet status	
Objective specification	This data sheet contains target or goal specifications for product development.
Preliminary specification	This data sheet contains preliminary data; supplementary data may be published later.
Product specification	This data sheet contains final product specifications.
Short-form specification	The data in this specification is extracted from a full data sheet with the same type number and title. For detailed information see the relevant data sheet or data handbook.
Limiting values	
Limiting values given are in accordance with the Absolute Maximum Rating System (IEC 134). Stress above one or more of the limiting values may cause permanent damage to the device. These are stress ratings only and operation of the device at these or at any other conditions above those given in the Characteristics sections of the specification is not implied. Exposure to limiting values for extended periods may affect device reliability.	
Application information	
Where application information is given, it is advisory and does not form part of the specification.	

LIFE SUPPORT APPLICATIONS

These products are not designed for use in life support appliances, devices, or systems where malfunction of these products can reasonably be expected to result in personal injury. Philips customers using or selling these products for use in such applications do so at their own risk and agree to fully indemnify Philips for any damages resulting from such improper use or sale.