

Advance Information

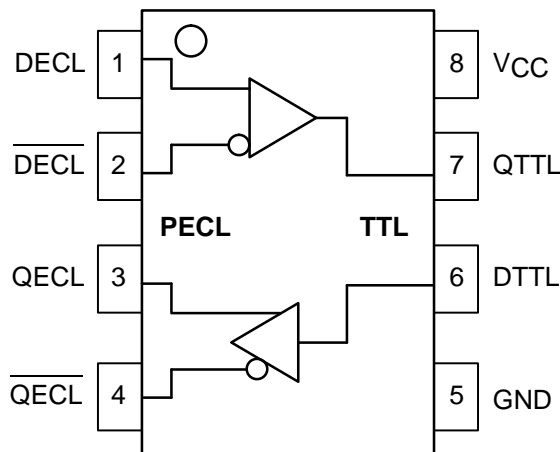
TTL to Differential PECL/Differential PECL to TTL Translator

The MC10ELT/100ELT28 is a differential PECL to TTL translator and a TTL to differential PECL translator in a single package. Because PECL (Positive ECL) levels are used only +5V and ground are required. The small outline 8-lead SOIC package and the dual translation design of the ELT28 makes it ideal for applications which are sending and receiving signals across a backplane. Because the mature MOSAIC 1.5 process is used, low cost can be added to the list of features.

The ELT28 is available in both ECL standards: the 10ELT is compatible with positive MECL 10H logic levels while the 100ELT is compatible with positive ECL 100K logic levels.

- 3.5ns Typical PECL to TTL Propagation Delay
- 1.2ns Typical TTL to PECL Propagation Delay
- Differential PECL Inputs/Outputs
- Small Outline SOIC Package
- PNP TTL Inputs for Minimal Loading
- 24mA TTL Outputs
- Flow Through Pinouts

LOGIC DIAGRAM AND PINOUT ASSIGNMENT



MC10ELT28 MC100ELT28



D SUFFIX
PLASTIC SOIC PACKAGE
CASE 751-05

PIN DESCRIPTION

PIN	FUNCTION
QTTL	TTL Output
DTTL	TTL Inputs
QECL	Diff ECL Outputs
DECL	Diff ECL Inputs
VCC	+5.0V Supply
GND	Ground

MAXIMUM RATINGS*

Symbol	Parameter	Value	Unit
VCC	DC Supply Voltage (Referenced to GND)	7.0	V
T _A	Operating Temperature Range (In Free-Air)	-40 to 85	°C
T _{STG}	Storage Temperature Range	-55 to +150	°C

* Maximum Ratings are those values beyond which damage to the device may occur. Functional operation should be restricted to the Recommended Operating Conditions.

This document contains information on a new product. Specifications and information herein are subject to change without notice.



MC10ELT28 MC100ELT28

TTL OUTPUT DC CHARACTERISTICS ($V_{CC} = 4.75V$ to $5.25V$; $T_A = -40^{\circ}C$ to $85^{\circ}C$)

Symbol	Characteristic	Min	Typ	Max	Unit	Condition
V_{OH}	Output HIGH Voltage	2.4			V	$I_{OH} = -3.0mA$
V_{OL}	Output LOW Voltage			0.5	V	$I_{OL} = 24mA$
I_{CCH}	Power Supply Current		27	40	mA	
I_{CCL}	Power Supply Current		29	42	mA	
I_{OS}	Output Short Circuit Current	-150		-60	mA	

TTL INPUT DC CHARACTERISTICS ($V_{CC} = 4.75V$ to $5.25V$; $T_A = -40^{\circ}C$ to $85^{\circ}C$)

Symbol	Characteristic	Min	Typ	Max	Unit	Condition
I_{IH}	Input HIGH Current			20	μA	$V_{IN} = 2.7V$
I_{IHH}	Input HIGH Current			100	μA	$V_{IN} = 7.0V$
I_{IL}	Input LOW Current			-0.6	mA	$V_{IN} = 0.5V$
V_{IK}				-1.2	V	$I_{IN} = -18mA$
V_{IH}	Input HIGH Voltage	2.0			V	
V_{IL}	Input LOW Voltage			0.8	V	

PECL OUTPUT DC CHARACTERISTICS ($V_{CC} = 4.75V$ to $5.25V$; $T_A = -40^{\circ}C$ to $85^{\circ}C$)

Symbol	Characteristic	-40°C		0°C		25°C			85°C		Unit	Condition
		Min	Max	Min	Max	Min	Typ	Max	Min	Max		
V_{OH}	Output HIGH Voltage	10ELT ¹ 3.920	4.11	3.980	4.16	4.020	4.10	4.19	4.080	4.27	V	$V_{CC} = 5.0V$
		100ELT ¹ 3.915	4.12	3.975	4.12	3.975	4.05	4.12	3.975	4.12		
V_{OL}	Output LOW Voltage	10ELT ¹ 3.05	3.350	3.05	3.37	3.05	3.25	3.37	3.05	3.40	V	$V_{CC} = 5.0V$
		100ELT ¹ 3.17	3.445	3.19	3.38	3.19	3.30	3.38	3.19	3.35		

1. Levels will vary 1:1 with V_{CC} .

PECL INPUT DC CHARACTERISTICS ($V_{CC} = 4.75V$ to $5.25V$; $T_A = -40^{\circ}C$ to $85^{\circ}C$)

Symbol	Characteristic	-40°C		0°C		25°C			85°C		Unit	Condition
		Min	Max	Min	Max	Min	Typ	Max	Min	Max		
I_{IH}	Input HIGH Current		150		150			150		150	μA	
I_{IL}	Input LOW Current	0.5		0.5		0.5			0.5		μA	
V_{CMR}	Common Mode Range	2.2	V_{CC}	2.2	V_{CC}	2.2		V_{CC}	2.2	V_{CC}	V	
V_{PP}	Minimum Peak-to-Peak Input ¹	200		200		200			200		mV	
V_{IH}	Input HIGH Voltage	10ELT 3.770	4.110	3.830	4.16	3.870		4.19	3.930	4.265	V	$V_{CC} = 5.0V$
		100ELT 3.835	4.120	3.835	4.12	3.835		4.12	3.835	4.120		
V_{IL}	Input LOW Voltage	10ELT 3.05	3.500	3.05	3.520	3.05		3.520	3.05	3.550	V	$V_{CC} = 5.0V$
		100ELT 3.19	3.525	3.19	3.525	3.19		3.525	3.19	3.525		
t_{PLH}	Prop Delay DECL to QTTL DTTL to QECL	2.0 0.6	5.5 1.2	2.0 0.65	5.5 1.45	2.0 0.9	1.2	5.5 1.5	2.0 0.6	5.5 1.35	ns	$C_L = 20pF$
t_{PHL}	Prop Delay DECL to QTTL DTTL to QECL	2.0 0.4	5.5 1.0	2.0 0.45	5.5 1.05	2.0 0.5	0.8	5.5 1.1	2.0 0.7	5.5 1.3	ns	$C_L = 20pF$
t_r, t_f	Rise/Fall Times	QECL 0.15	1.5	0.15	1.5	0.15		1.5	0.15	1.5	ns	20% – 80%

1. 200mV input guarantees full logic swing at the output.

OUTLINE DIMENSIONS

D SUFFIX
PLASTIC SOIC PACKAGE
CASE 751-05
ISSUE P



NOTES:

1. DIMENSIONS A AND B ARE DATUMS AND T IS A DATUM SURFACE.
2. DIMENSIONING AND TOLERANCING PER ANSI Y14.5M, 1982.
3. DIMENSIONS ARE IN MILLIMETER.
4. DIMENSION A AND B DO NOT INCLUDE MOLD PROTRUSION.
5. MAXIMUM MOLD PROTRUSION 0.15 PER SIDE.
6. DIMENSION D DOES NOT INCLUDE MOLD PROTRUSION. ALLOWABLE DAMBAR PROTRUSION SHALL BE 0.127 TOTAL IN EXCESS OF THE D DIMENSION AT MAXIMUM MATERIAL CONDITION.

DIM	MILLIMETERS	
	MIN	MAX
A	4.80	5.00
B	3.80	4.00
C	1.35	1.75
D	0.35	0.49
F	0.40	1.25
G	1.27 BSC	
J	0.18	0.25
K	0.10	0.25
M	0°	7°
P	5.80	6.20
R	0.25	0.50

Motorola reserves the right to make changes without further notice to any products herein. Motorola makes no warranty, representation or guarantee regarding the suitability of its products for any particular purpose, nor does Motorola assume any liability arising out of the application or use of any product or circuit, and specifically disclaims any and all liability, including without limitation consequential or incidental damages. "Typical" parameters which may be provided in Motorola data sheets and/or specifications can and do vary in different applications and actual performance may vary over time. All operating parameters, including "Typicals" must be validated for each customer application by customer's technical experts. Motorola does not convey any license under its patent rights nor the rights of others. Motorola products are not designed, intended, or authorized for use as components in systems intended for surgical implant into the body, or other applications intended to support or sustain life, or for any other application in which the failure of the Motorola product could create a situation where personal injury or death may occur. Should Buyer purchase or use Motorola products for any such unintended or unauthorized application, Buyer shall indemnify and hold Motorola and its officers, employees, subsidiaries, affiliates, and distributors harmless against all claims, costs, damages, and expenses, and reasonable attorney fees arising out of, directly or indirectly, any claim of personal injury or death associated with such unintended or unauthorized use, even if such claim alleges that Motorola was negligent regarding the design or manufacture of the part. Motorola and are registered trademarks of Motorola, Inc. Motorola, Inc. is an Equal Opportunity/Affirmative Action Employer.

How to reach us:

USA/EUROPE/Locations Not Listed: Motorola Literature Distribution; P.O. Box 20912; Phoenix, Arizona 85036. 1-800-441-2447 or 602-303-5454

JAPAN: Nippon Motorola Ltd.; Tatsumi-SPD-JLDC, 6F Seibu-Butsuryu-Center, 3-14-2 Tatsumi Koto-Ku, Tokyo 135, Japan. 03-81-3521-8315

MFAX: RMFAX0@email.sps.mot.com - TOUCHTONE 602-244-6609
INTERNET: http://Design-NET.com

ASIA/PACIFIC: Motorola Semiconductors H.K. Ltd.; 8B Tai Ping Industrial Park, 51 Ting Kok Road, Tai Po, N.T., Hong Kong. 852-26629298

