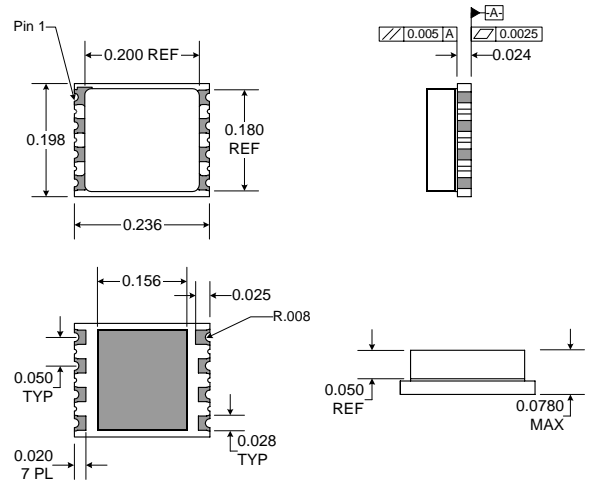


Typical Applications

- Pre-Driver for 450MHz Basestation Amplifiers
- PA Stage for Commercial Wireless Infrastructure
- Class AB Operation for Cellular Radio and Wireless Local Loop

Product Description

The RF3800 is specifically designed for wireless infrastructure applications in 450MHz. Using a highly reliable GaAs HBT fabrication process, this high-performance single-stage amplifier achieves high output power over a broad frequency range. The RF3800 also provides excellent efficiency and thermal stability through the use of a thermally-enhanced surface-mount AIN package. Ease of integration is accomplished through the incorporation of an optimized evaluation board design provided to achieve proper 50Ω operation. Various evaluation board bias configurations are available to address a broad range of wireless infrastructure applications.



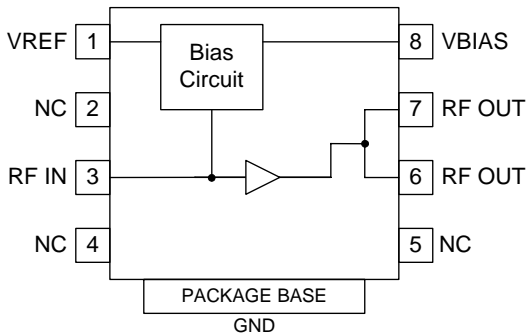
Optimum Technology Matching® Applied

- | | | |
|-------------------------------------|--|---------------------------------------|
| <input type="checkbox"/> Si BJT | <input checked="" type="checkbox"/> GaAs HBT | <input type="checkbox"/> GaAs MESFET |
| <input type="checkbox"/> Si Bi-CMOS | <input type="checkbox"/> SiGe HBT | <input type="checkbox"/> Si CMOS |
| <input type="checkbox"/> InGaP/HBT | <input type="checkbox"/> GaN HEMT | <input type="checkbox"/> SiGe Bi-CMOS |

Package Style: AIN

Features

- 6W Output Power
- High Linearity
- 45% Power-Added Efficiency
- Thermally-Enhanced Packaging
- Broadband Platform Design Approach



Functional Block Diagram

Ordering Information

RF3800 GaAs HBT Pre-Driver Amplifier
 RF3800PCBA-416 Fully Assembled Evaluation Board

RF Micro Devices, Inc.
 7628 Thorndike Road
 Greensboro, NC 27409, USA

Tel (336) 664 1233
 Fax (336) 664 0454
<http://www.rfmd.com>

***Please contact
RF Micro Devices
Applications Engineering
at (336) 678-5570
for more information.***