

■ ABSOLUTE MAXIMUM RATINGS (Ta=25°C)

PARAMETER	SYMBOL	RATINGS	UNIT
Supply Voltage	V ⁺	5	V
Maximum Input Voltage	V _{IN}	(3, 12pin) -0.3 to V _{REG} +0.3	V
Power Dissipation	P _D	300	mW
Operating Temperature Range	T _{opr}	-20 to +75	°C
Storage Temperature Range	T _{stg}	-40 to +125	°C

■ ELECTRICAL CHARACTERISTICS (V⁺=2.7V, G_v=13dB, V_{IN}=-40dBV, R_L=9kΩ, f=1kHz, Ta=25°C)

PARAMETER	SYMBOL	TEST CONDITION	MIN.	TYP.	MAX.	UNIT
Operating Voltage Range	V ⁺		2.7	-	4.5	V
Operating Current 1	I _{CC1}	Standby On:STBY= V ⁺	-	-	1.0	μA
Operating Current 2	I _{CC2}	G _v =29dB, No Signal, Standby Off :STBY=GND	-	2.2	2.8	mA
Output Voltage	V _O	No Signal	1.28	1.35	1.42	V
Voltage Gain 1	G _{v1}	10pin=L	12	13	14	dB
Voltage Gain 2	G _{v2}	10pin=H	28	29	30	dB
Maximum Output Voltage	V _{OM}	THD=0.1%	-2.7	-1.5	-	dBV
Total Harmonic Distortion	THD1	V _O =-28.2dBV	-	0.013	0.026	%
	THD2	G _v =29dB, V _O =-28.2dBV	-	0.05	0.1	%
Output Noise Voltage	V _{NO1}	R _g =600Ω, A-Weighted	-	-105 (5.63)	-100 (10)	dBV (μVrms)
	V _{NO2}	R _g =600Ω, A-Weighted, G _v =29dB	-	-95 (17.8)	-90 (32)	dBV (μVrms)
Channel Separation	CS1	R _g =600Ω, V _{IN} =-18dBV	-	105	-	dB
	CS2	R _g =600Ω, V _{IN} =-34dBV, G _v =29dB	80	90	-	dB
Supply Voltage Rejection Ratio	SVR1	V ⁺ =3V, ΔV ⁺ =-20dBV, R _g =600Ω	-	95	-	dB
	SVR2	V ⁺ =3V, ΔV ⁺ =-20dBV, R _g =600Ω G _v =29dB	70	80	-	dB
Microphone Regulator Output Voltage	V _{REG}	R _L =3.55kΩ	2.3	2.42	2.54	V
High Level Input Voltage G	V _{IHG}	G _v Terminal	2.0	-	V ⁺	V
Low Level Input Voltage G	V _{ILG}	G _v Terminal	0	-	0.5	V
High Level Input Voltage S	V _{HIS}	STBY Terminal	V ⁺ -0.5	-	V ⁺	V
Low Level Input Voltage S	V _{ILS}	STBY Terminal	0	-	V ⁺ -2.0	V

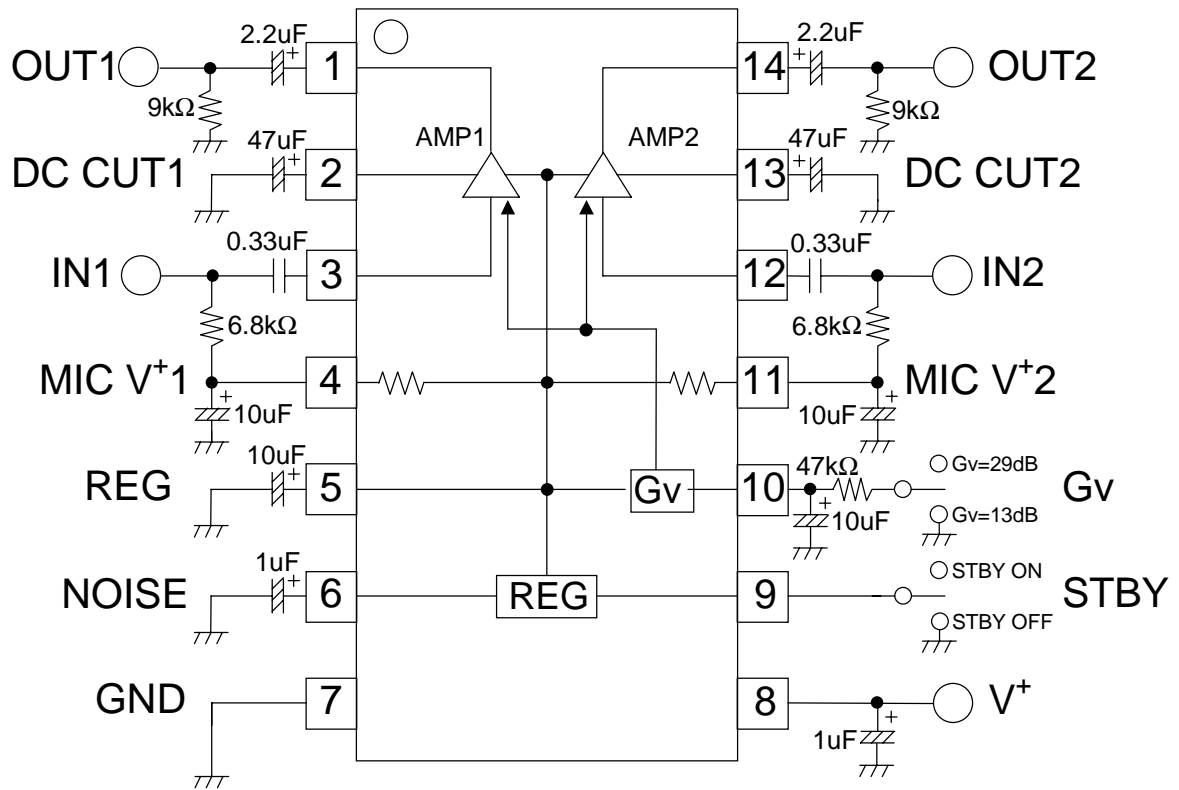
■ CONTROL TERMINAL EXPLANATION
● STBY (9Pin)

PARAMETER	CONTROL SIGNAL	STATUS
STANDBY OFF	L	IC is active.
STANDBY ON	H	IC is non-active.

● G_v (10Pin)

PARAMETER	CONTROL SIGNAL	STATUS
G _{v1}	L	IC set up 13dB typ. voltage gain.
G _{v2}	H	IC set up 29dB typ. voltage gain.

APPLICATION CIRCUIT



MEMO

[CAUTION]

The specifications on this databook are only given for information, without any guarantee as regards either mistakes or omissions. The application circuits in this databook are described only to show representative usages of the product and not intended for the guarantee or permission of any right including the industrial rights.