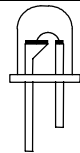




|           |   |
|-----------|---|
| LED FLASH |  |
| M1389     |   |

L1→L2→L3

LED 閃爍 IC

## FEATURES 功能敘述

- Built-in / Ext Rosc.
- Outputs : 1/16 times, 1~16 Hz.
- Duty cycle : 1/6.
- Trigger : by VDD or OSH switch.

| P/N     | "X" | Delay | OPTION |       | Out    | Duty | Fosc(KHz) |
|---------|-----|-------|--------|-------|--------|------|-----------|
|         |     |       | "VSS"  | Delay |        |      |           |
| M1389-4 | 3T  | —     | 8T     | —     | 8/3 Hz | 1/6  | 70        |
| M1389-6 | 8T  | —     | 16T    | —     | 10/3Hz | 1/6  | 80        |

## APPLICATION 產品應用

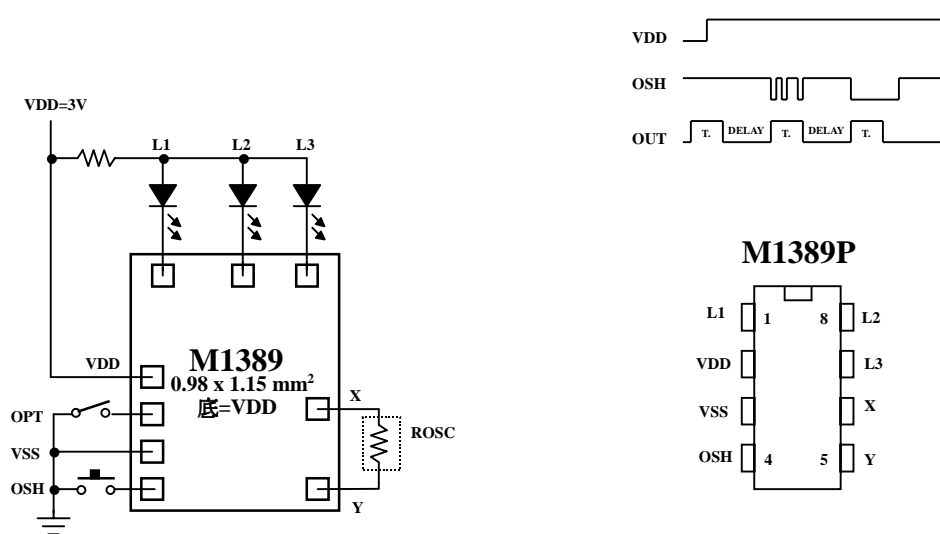
- Arcade game system, Toys.

## ELECTRICAL CHARACTERISTICS 電氣規格

( @V<sub>DD</sub>=3V unless otherwise specified )

| Characteristics            | Sym.            | Min. | Typ. | Max. | Unit | REMARKS                 |
|----------------------------|-----------------|------|------|------|------|-------------------------|
| 工作電壓 Operating Voltage     | V <sub>DD</sub> | —    | 3    | 3.5  | V    |                         |
| 工作電流 Operating Current     | I <sub>OP</sub> | —    | 0.1  | 0.5  | mA   | No load                 |
| 靜態電流 Quiescent Current     | I <sub>SB</sub> | —    | 1    | 5    | μA   |                         |
| 推動電流 Driving Current       | I <sub>OL</sub> | 30   | —    | —    | mA   | @ V <sub>DS</sub> =1.2V |
| 工作溫度 Operating Temperature | Temp.           | 0    | 25   | 60   | °C   |                         |

## APPLICATION DIAGRAM 參考電路圖



\*All specs and applications shown above subject to change without prior notice.  
( 以上電路及規格僅供參考,本公司得逕行修正 )