

**LB1840M**

Low-voltage/Low-saturation Bidirectional Variable Constant-voltage Motor Driver

Overview

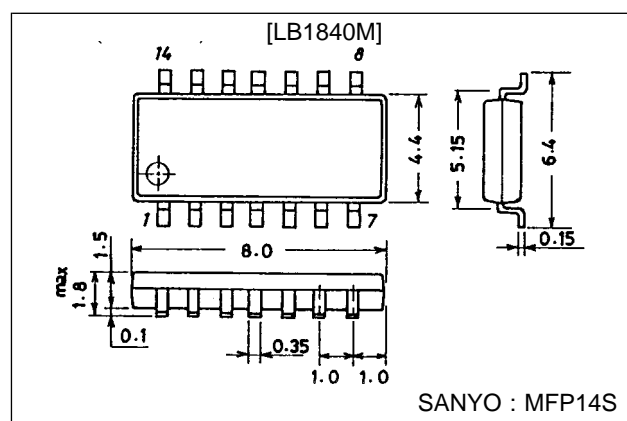
The LB1840M is a low-voltage, low-saturation, three-input type two-channel bidirectional motor driver that permits switching between constant-voltage regulated output and saturated output. The design is ideal for a two-phase bipolar driver for stepping motors.

Features

- Wide operating voltage range (3.0 to 9.0 V).
- Low saturation voltage
 $V_{O(sat)} = 0.40 \text{ V}$ at $I_O = 200 \text{ mA}$.
- Consumes almost no current in standby mode (0.1 μA or less).
- Permits setting of bidirectional constant-voltage regulated value.
- Three-input type that is ideal for a two-phase bipolar driver.
- Permits switching between constant-voltage regulated output and saturated output.
- Built in reference voltage coupled to input.
- Compact MFP-14S package.

Package Dimensions

unit: mm

3111-MFP14S

Specifications

Absolute Maximum Ratings at $T_a = 25 \text{ }^\circ\text{C}$

Parameter	Symbol	Conditions	Ratings	Unit
Maximum supply voltage	$V_{CC \text{ max}}$		10.5	V
Output current	$I_m \text{ max}$		250	mA
Applied input voltage	V_{IN}		-0.3 to +10	V
Allowable power dissipation	$P_d \text{ max}$	With board ($30 \times 30 \times 1.5 \text{ mm}^3$)	800	mW
Operating temperature	T_{opr}		-20 to +80	$^\circ\text{C}$
Storage temperature	T_{stg}		-40 to +150	$^\circ\text{C}$

Allowable Operating Ranges at $T_a = 25 \text{ }^\circ\text{C}$

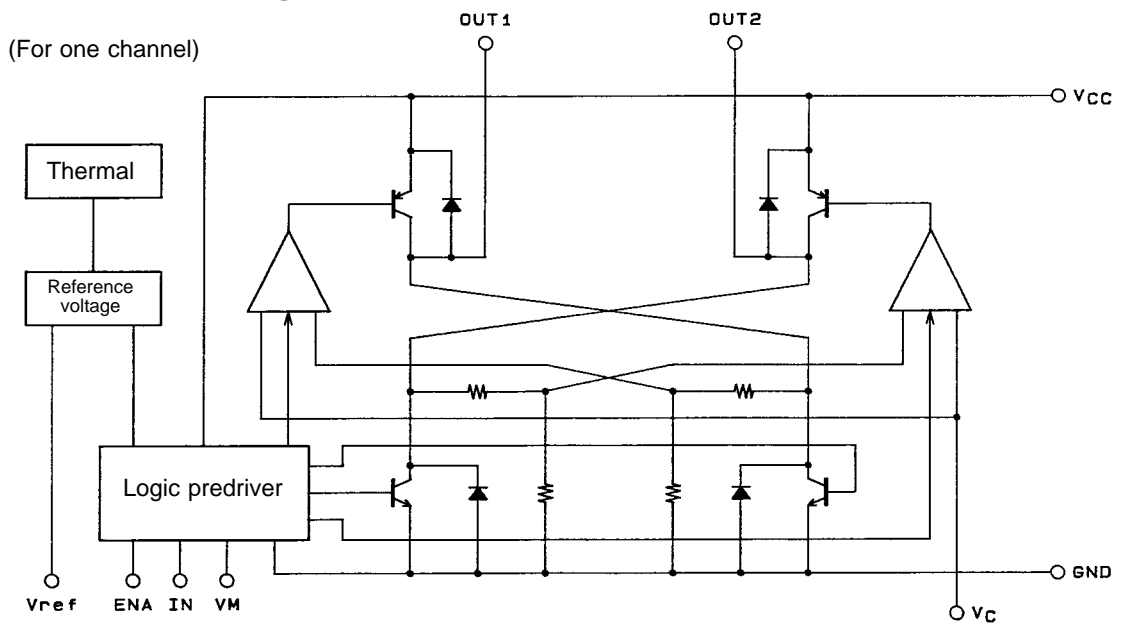
Parameter	Symbol	Conditions	Ratings	Unit
Supply voltage	V_{CC}		3.0 to 9.0	V
IN pin high level voltage	V_{INH}		3.0 to 9.0	V
IN pin low level voltage	V_{INL}		-0.3 to +0.7	V
Control voltage	V_C		0.2 to 6.0	V
VM pin high level voltage	V_{MH}		$V_{CC} - 0.3$ to V_{CC}	V
VM pin low level voltage	V_{ML}		-0.3 to $V_{CC} - 2.5$	V

LB1840M

Electrical Characteristics at $T_a = 25\text{ }^\circ\text{C}$, $V_{CC} = 6\text{ V}$

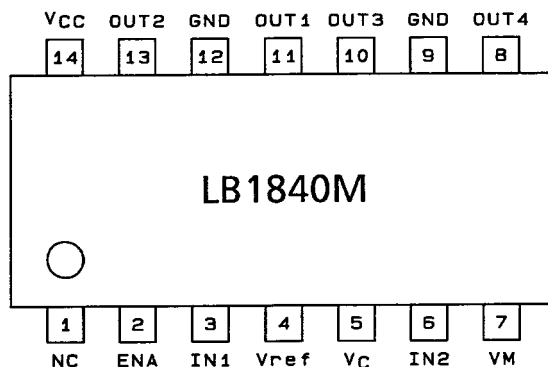
Parameter	Symbol	Conditions	min	typ	max	Unit
Supply current	I_{CC0}	During standby		0.1	10	μA
	I_{CC1}	During bidirectional operation (for two channels): during control, load open		3.5	5.0	mA
	I_{CC2}		during saturation, load open		4.5	6.5
Output saturation voltage	V_{sat1}	$I_O = 100\text{ mA}$ (upper side + lower side)		0.30	0.40	V
	V_{sat2}	$I_O = 200\text{ mA}$ (upper side + lower side)		0.40	0.55	V
	V_{Osat3}	$I_O = 200\text{ mA}$ (lower side)	0.07	0.10	0.15	V
Reference voltage	V_{ref}	$I_{Vref} = 1\text{ mA}$	1.85	2.0	2.15	V
Output voltage voltage characteristics	$\frac{\Delta V_O}{\Delta V_{CC}}$	$V_O = 5\text{ V}$, $V_{CC} = 5.5\text{ to }9\text{ V}$, $I_O = 100\text{ mA}$			20	mV
Output voltage current characteristics	$\frac{\Delta V_O}{\Delta I_O}$	$V_O = 5\text{ V}$, $V_{CC} = 6\text{ V}$, $I_O = 10\text{ to }100\text{ mA}$			50	mV
Input current	I_{IN}	$V_{IN} = 5\text{ V}$		90	150	μA
	I_{VM}	$V_M = \text{GND}$		210	300	μA
Output voltage	V_O	Between OUT and GND	$2.45 \times V_C$		$2.65 \times V_C$	V

Equivalent Circuit Block Diagram



A03206

Pin Assignment



Note: Both GND pins must be grounded.

Top view

A03207

LB1840M

Truth Table

Input			Output		Mode
ENA	IN 1/2	VM	OUT 1/3	OUT 2/4	
L	—	—	OFF	OFF	Standby
H	L	H	H	L	Constant-voltage regulated forward operation
H	L	L	H	L	Saturated forward operation
H	H	H	L	H	Constant-voltage regulated reverse operation
H	H	L	L	H	Saturated reverse operation

The constant-voltage regulated output V_O (= voltage between H side output and GND) is controlled by $V_O = 2.5 \times V_C$. The output is in the saturated state when the V_C input range is 0.2 to 6 V and $V_O \cong V_{CC}$.

Pin Functions

Pin No.	Symbol	Equivalent Circuit Diagram	Pin Function
14	V_{CC}		Power supply pin for output and controller.
9 12	GND		GND pins for output and controller. Both must be grounded.
3 6	IN2 IN1		<p>Input pins that determine the excitation of the outputs. IN1 control outputs OUT1 and OUT2; IN2 control outputs OUT3 and OUT4.</p> <p>L: -0.3 to +0.7 V or open H: 3.0 to 9.0 V</p> <p>There are no limitations on the magnitude relationships between the V_{CC} and V_{IN} supply voltages.</p>
8 10 11 13	OUT4 OUT3 OUT1 OUT2		Output pins. Have built-in spark killer diodes.
4	V_{ref}		Reference voltage (= 2.0 V).

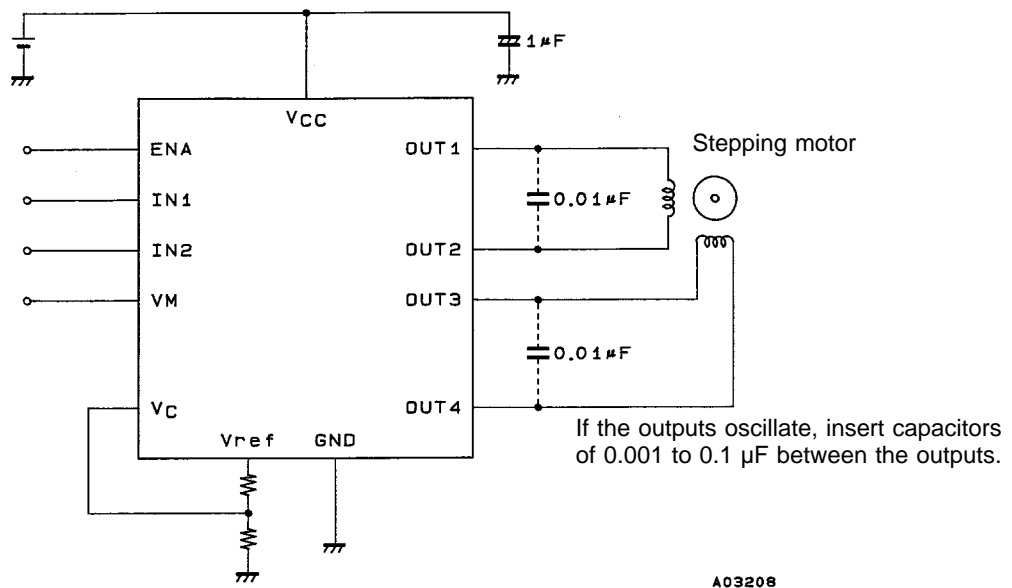
Continued on next page.

LB1840M

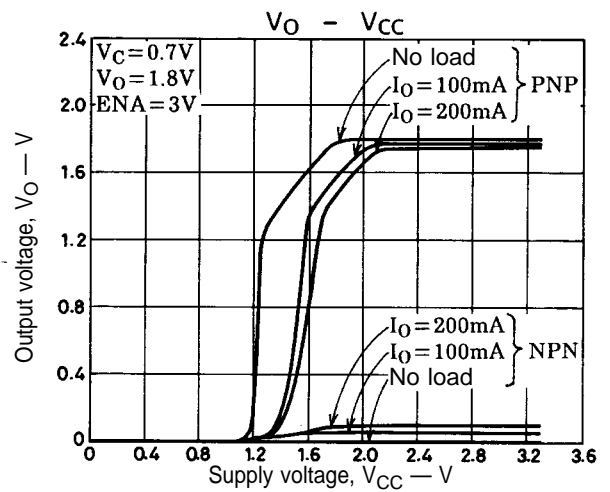
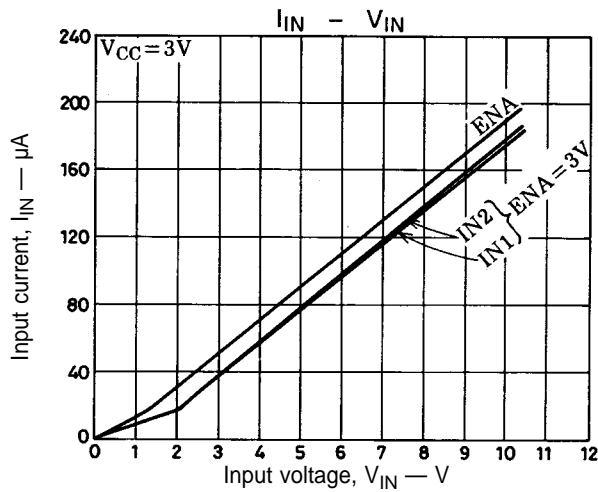
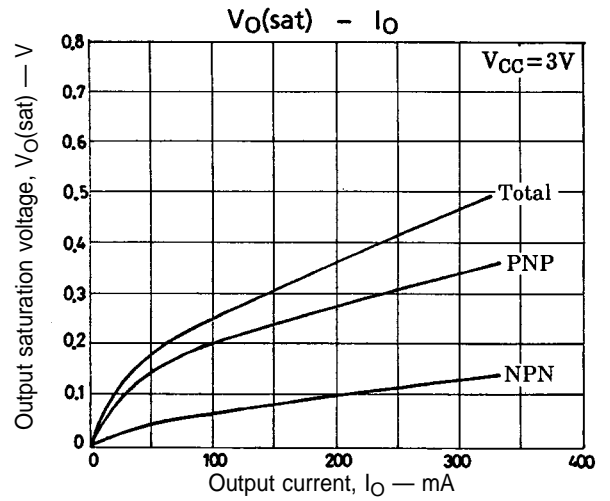
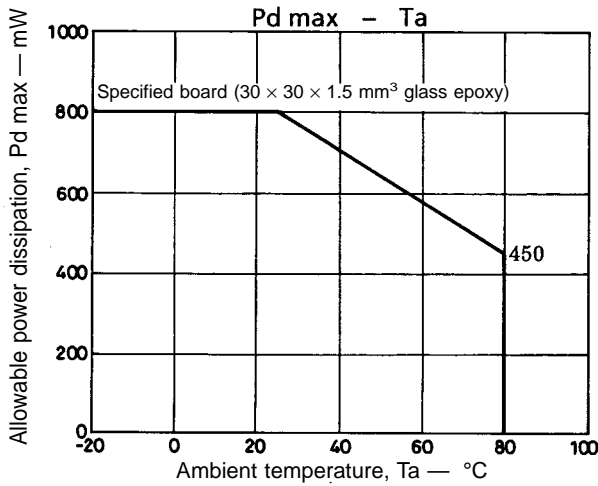
Continued from preceding page.

Pin No.	Symbol	Equivalent Circuit Diagram	Pin Function
5	V_C		<p>Input pins that determine the constant-voltage regulated output level. The constant-voltage regulated output V_O (= voltage between H side output and GND) is controlled by $V_O = 2.5 \times V_C$. There are no limitations on the magnitude relationships between the V_{CC} and V_C supply voltages.</p>
2	ENA		<p>Standby/drive control input pin. Current drain in standby mode is 10 μA or less.</p> <p>L: -0.3 to $+0.7$ V or open H: 3.0 to 9.0 V</p> <p>There are no limitation on the magnitude relationships between V_{CC} and V_{ENA} supply voltage.</p>
7	VM		<p>Control input pin for switching between constant voltage output and saturated output.</p> <p>L: -0.3 to $V_{CC} - 2.5$ V (saturated output) H: $V_{CC} - 0.3$ to V_{CC} or open (constant-voltage regulated output)</p>

Sample Application Circuit



LB1840M



- No products described or contained herein are intended for use in surgical implants, life-support systems, aerospace equipment, nuclear power control systems, vehicles, disaster/crime-prevention equipment and the like, the failure of which may directly or indirectly cause injury, death or property loss.
- Anyone purchasing any products described or contained herein for an above-mentioned use shall:
 - ① Accept full responsibility and indemnify and defend SANYO ELECTRIC CO., LTD., its affiliates, subsidiaries and distributors and all their officers and employees, jointly and severally, against any and all claims and litigation and all damages, cost and expenses associated with such use:
 - ② Not impose any responsibility for any fault or negligence which may be cited in any such claim or litigation on SANYO ELECTRIC CO., LTD., its affiliates, subsidiaries and distributors or any of their officers and employees jointly or severally.
- Information (including circuit diagrams and circuit parameters) herein is for example only; it is not guaranteed for volume production. SANYO believes information herein is accurate and reliable, but no guarantees are made or implied regarding its use or any infringements of intellectual property rights or other rights of third parties.

This catalog provides information as of October, 1996. Specifications and information herein are subject to change without notice.