



4-Wire-Interfaced, 2.5V to 5.5V, 20-Port and 28-Port I/O Expander

MAX7301

General Description

The MAX7301 compact, serial-interfaced I/O expander (or general-purpose I/O (GPIO) peripheral) provides microprocessors with up to 28 ports. Each port is individually user configurable to either a logic input or logic output.

Each port can be configured either as a push-pull logic output capable of sinking 10mA and sourcing 4.5mA, or a Schmitt logic input with optional internal pullup. Seven ports feature configurable transition detection logic, which generates an interrupt upon change of port logic level. The MAX7301 is controlled through an SPI™-compatible 4-wire serial interface.

The MAX7301AAX and MAX7301AGL have 28 ports and are available in 36-pin SSOP and 40-pin QFN packages, respectively. The MAX7301AAI and MAX7301ANI have 20 ports and are available in 28-pin SSOP and 28-pin DIP packages, respectively.

For a 2-wire interfaced version, refer to the MAX7300 data sheet.

For a pin-compatible port expander with additional 24mA constant-current LED drive capability, refer to the MAX6957 data sheet.

Applications

- White Goods
- Automotive
- Gaming Machines
- Industrial Controllers
- System Monitoring

Pin Configurations appear at end of data sheet.

*SPI and QSPI are trademarks of Motorola, Inc.
MICROWIRE is a trademark of National Semiconductor Corp.*

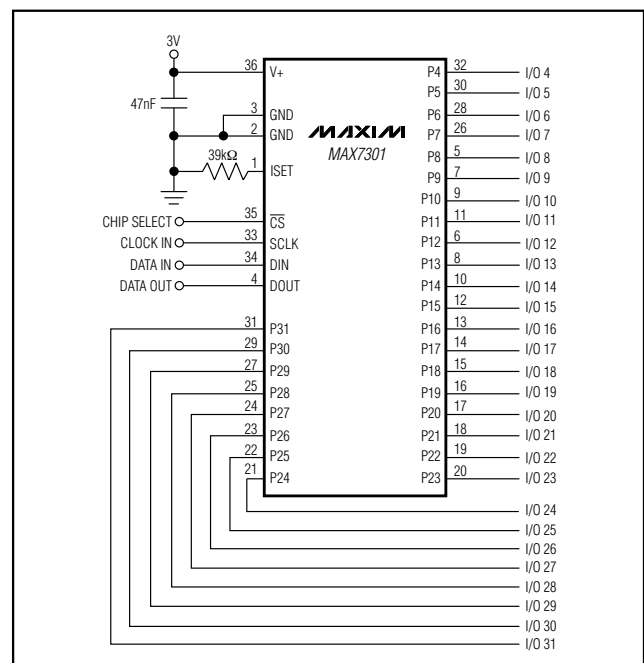
Features

- ◆ High-Speed 26MHz SPI-/QSPI™-/MICROWIRE™-Compatible Serial Interface
- ◆ 2.5V to 5.5V Operation
- ◆ -40°C to +125°C Temperature Range
- ◆ 20 or 28 I/O Ports, Each Configurable as Push-Pull Logic Output
Schmitt Logic Input
Schmitt Logic Input with Internal Pullup
- ◆ 11µA (max) Shutdown Current
- ◆ Logic Transition Detection for Seven I/O Ports

Ordering Information

PART	TEMP RANGE	PIN-PACKAGE
MAX7301ANI	-40°C to +125°C	28 DIP
MAX7301AAI	-40°C to +125°C	28 SSOP
MAX7301AAX	-40°C to +125°C	36 SSOP
MAX7301AGL	-40°C to +125°C	40 QFN

Typical Operating Circuit



4-Wire-Interfaced, 2.5V to 5.5V, 20-Port and 28-Port I/O Expander

ABSOLUTE MAXIMUM RATINGS

Voltage (with respect to GND)

V+-0.3V to +6V

All Other pins-0.3V to (V+ + 0.3V)

P4–P31 Current±30mA

GND Current800mA

Continuous Power Dissipation (T_A = +70°C)

28-Pin PDIP (derate 20.8mW/°C above +70°C).....1667mW

28-Pin SSOP (derate 9.5mW/°C above +70°C)762mW

36-Pin SSOP (derate 11.8mW/°C above +70°C)941mW

40-Pin QFN (derate 23.25mW/°C above +70°C)1860mW

Operating Temperature Range

(T_{MIN}, T_{MAX})-40°C to +125°C

Junction Temperature+150°C

Storage Temperature Range-65°C to +150°C

Lead Temperature (soldering, 10s)+300°C

Stresses beyond those listed under "Absolute Maximum Ratings" may cause permanent damage to the device. These are stress ratings only, and functional operation of the device at these or any other conditions beyond those indicated in the operational sections of the specifications is not implied. Exposure to absolute maximum rating conditions for extended periods may affect device reliability.

ELECTRICAL CHARACTERISTICS

(Typical Operating Circuit, V+ = 2.5V to 5.5V, T_A = T_{MIN} to T_{MAX}, unless otherwise noted.) (Note 1)

PARAMETER	SYMBOL	CONDITIONS	MIN	TYP	MAX	UNITS
Operating Supply Voltage	V+		2.5		5.5	V
Shutdown Supply Current	ISHDN	All digital inputs at V+ or GND	T _A = +25°C	5.5	8	μA
			T _A = -40°C to +85°C		10	
			T _A = T _{MIN} to T _{MAX}		11	
Operating Supply Current (Output High)	IGPOH	All ports programmed as outputs high, no load, all other inputs at V+ or GND	T _A = +25°C	180	230	μA
			T _A = -40°C to +85°C		250	
			T _A = T _{MIN} to T _{MAX}		270	
Operating Supply Current (Output Low)	IGPOL	All ports programmed as outputs low, no load, all other inputs at V+ or GND	T _A = +25°C	170	210	μA
			T _A = -40°C to +85°C		230	
			T _A = T _{MIN} to T _{MAX}		240	
Operating Supply Current (Input)	IGPI	All ports programmed as inputs without pullup, ports, and all other inputs at V+ or GND	T _A = +25°C	110	135	μA
			T _A = -40°C to +85°C		140	
			T _A = T _{MIN} to T _{MAX}		145	
INPUTS AND OUTPUTS						
Logic High Input Voltage Port Inputs	V _{IH}		0.7 × V+			V
Logic Low Input Voltage Port Inputs	V _{IL}				0.3 × V+	V
Input Leakage Current	I _{IH} , I _{IL}	GPIO inputs without pullup, V _{PORT} = V+ to GND	-100	±1	+100	nA
GPIO Input Internal Pullup to V+	I _{PU}	V+ = 2.5V	12	19	30	μA
		V+ = 5.5V	80	120	180	
Hysteresis Voltage GPIO Inputs	ΔV _I			0.3		V
Output High Voltage	V _{OH}	GPIO outputs, I _{SOURCE} = 2mA, T _A = -40°C to +85°C	V+ - 0.7			V
		GPIO outputs, I _{SOURCE} = 1mA, T _A = T _{MIN} to T _{MAX} (Note 2)	V+ - 0.7			

4-Wire-Interfaced, 2.5V to 5.5V, 20-Port and 28-Port I/O Expander

MAX7301

ELECTRICAL CHARACTERISTICS (continued)

(Typical Operating Circuit, V+ = 2.5V to 5.5V, T_A = T_{MIN} to T_{MAX}, unless otherwise noted.) (Note 1)

PARAMETER	SYMBOL	CONDITIONS	MIN	TYP	MAX	UNITS
Port Sink Current	I _{OL}	V _{PORT} = 0.6V	2	10	18	mA
Output Short-Circuit Current	I _{OLSC}	Port configured output low, shorted to V+	2.75	11	20	mA
Input High-Voltage SCLK, DIN, \overline{CS}	V _{IH}	V+ ≤ 3.3V	1.6			V
		V+ > 3.3V	2			
Input Low-Voltage SCLK, DIN, \overline{CS}	V _{IL}				0.6	V
Input Leakage Current SCLK, DIN, \overline{CS}	I _{IH} , I _{IL}		-50		+50	nA
Output High-Voltage DOUT	V _{OH}	I _{SOURCE} = 1.6mA	V+ - 0.5			V
Output Low-Voltage DOUT	V _{OL}	I _{SINK} = 1.6mA			0.4	V

TIMING CHARACTERISTICS (Figure 3)

(V+ = 2.5V to 5.5V, T_A = T_{MIN} to T_{MAX}, unless otherwise noted.) (Note 1)

PARAMETER	SYMBOL	CONDITIONS	MIN	TYP	MAX	UNITS
CLK Clock Period	t _{CP}		38.4			ns
CLK Pulse Width High	t _{CH}		19			ns
CLK Pulse Width Low	t _{CL}		19			ns
\overline{CS} Fall to SCLK Rise Setup Time	t _{CSS}		9.5			ns
CLK Rise to \overline{CS} Rise Hold Time	t _{CSH}		0			ns
DIN Setup Time	t _{DS}		9.5			ns
DIN Hold Time	t _{DH}		0			ns
Output Data Propagation Delay	t _{DO}	C _{LOAD} = 25pF			21	ns
Minimum \overline{CS} Pulse High	t _{C_{SW}}		19			ns

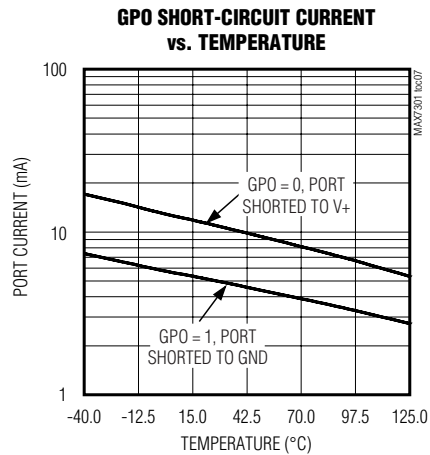
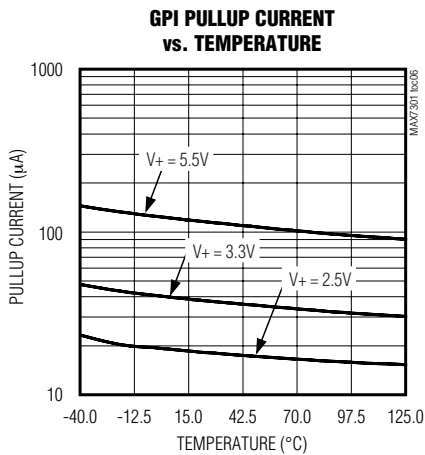
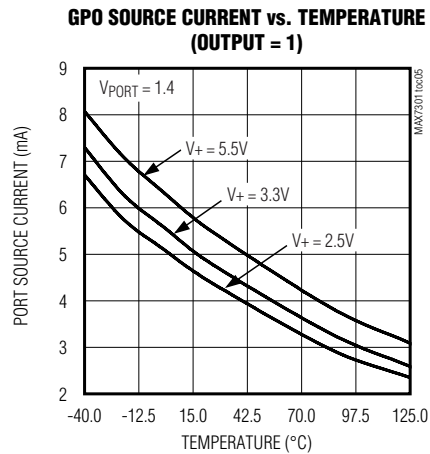
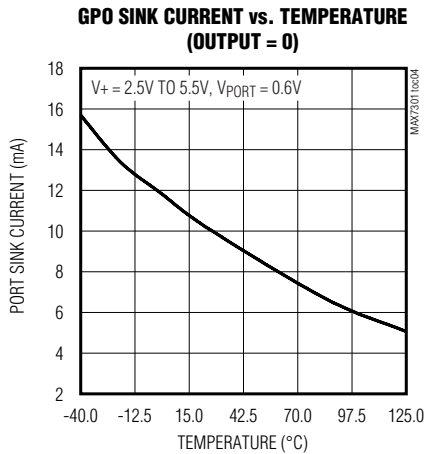
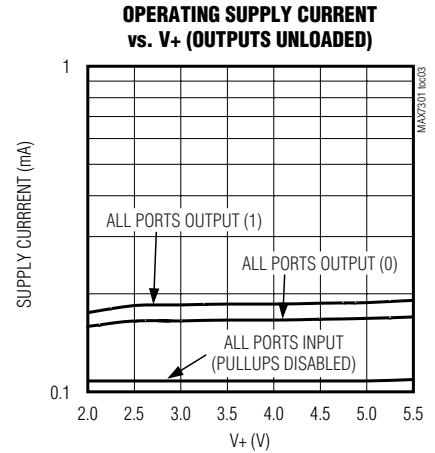
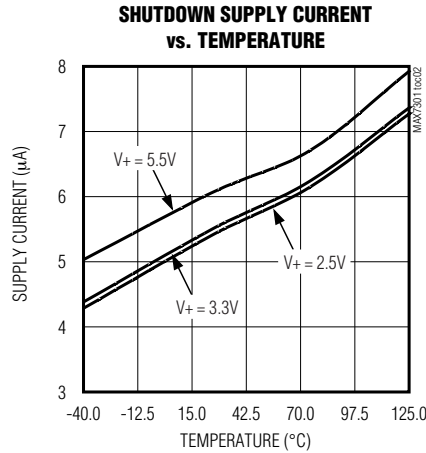
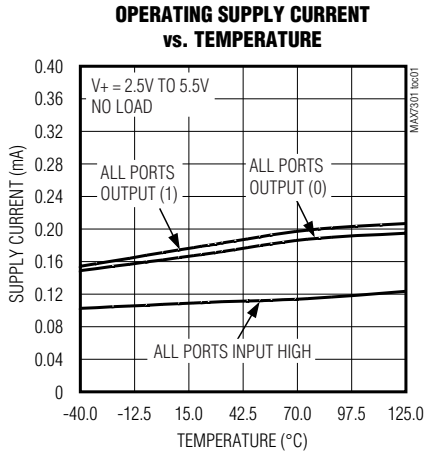
Note 1: All parameters tested at T_A = +25°C. Specifications over temperature are guaranteed by design.

Note 2: Guaranteed by design.

4-Wire-Interfaced, 2.5V to 5.5V, 20-Port and 28-Port I/O Expander

Typical Operating Characteristics

($T_A = +25^\circ\text{C}$, unless otherwise noted.)



4-Wire-Interfaced, 2.5V to 5.5V, 20-Port and 28-Port I/O Expander

Pin Description

MAX7301

PIN			NAME	FUNCTION
SSOP	SSOP DIP	QFN		
1	1	36	ISET	Bias Current Setting. Connect ISET to GND through a resistor (R _{ISET}) value of 39kΩ to 120kΩ.
2, 3	2, 3	37, 38, 39	GND	Ground
4	4	40	DOUT	4-Wire Interface Serial Data Output Port
—	5–24	—	P12–P31	I/O Ports. P12 to P31 can be configured as push-pull outputs, CMOS logic inputs, or CMOS logic inputs with weak pullup resistor.
5–32	—	1–10, 12–19, 21–30	P4–P31	I/O Ports. P4 to P31 can be configured as push-pull outputs, CMOS logic inputs, or CMOS logic inputs with weak pullup resistor.
33	25	32	SCLK	4-Wire Interface Serial Clock Input Port
34	26	33	DIN	4-Wire Interface Serial Data Input Port
35	27	34	\overline{CS}	4-Wire Interface Chip-Select Input, Active Low
36	28	35	V+	Positive Supply Voltage. Bypass V+ to GND with a minimum 0.047μF capacitor.

Detailed Description

The MAX7301 GPIO peripheral provides up to 28 I/O ports, P4 to P31, controlled through an SPI-compatible serial interface. The ports can be configured to any combination of logic inputs and logic outputs, and default to logic inputs on power-up.

Figure 1 is the MAX7301 functional diagram. Any I/O port can be configured as a push-pull output (sinking 10mA, sourcing 4.5mA), or a Schmitt-trigger logic input. Each input has an individually selectable internal pullup resistor. Additionally, transition detection allows seven ports (P24 through P30) to be monitored in any maskable combination for changes in their logic status. A detected transition is flagged through an interrupt pin (port P31).

The port configuration registers set the 28 ports, P4 to P31, individually as GPIO. A pair of bits in registers 0x09 through 0x0F sets each port's configuration (Tables 1 and 2).

The 36-pin MAX7301AAX has 28 ports, P4 to P31. The 28-pin MAX7301ANI and MAX7301AAI make only 20 ports available—P12 to P31. The eight unused ports should be configured as outputs on power-up by writing 0x55 to registers 0x09 and 0x0A. If this is not done, the eight unused ports remain as floating inputs and quiescent supply current rises, although there is no damage to the part.

Register Control of I/O Ports Across Multiple Drivers

The MAX7301 offers 20 or 28 I/O ports, depending on package choice.

Two addressing methods are available. Any single port (bit) can be written (set/cleared) at once; or, any sequence of eight ports can be written (set/cleared) in any combination at once. There are no boundaries; it is equally acceptable to write P0 through P7, P1 through P8, or P31 through P38 (P32 through P38 are nonexistent, so the instructions to these bits are ignored).

Shutdown

When the MAX7301 is in shutdown mode, all ports are forced to inputs (which can be read), and the pullup current sources are turned off. Data in the port and control registers remain unaltered so port configuration and output levels are restored when the MAX7301 is taken out of shutdown. The display driver can still be programmed while in shutdown mode. For minimum supply current in shutdown mode, logic inputs should be at GND or V+ potential. Shutdown mode is exited by setting the S bit in the configuration register (Table 6).

4-Wire-Interfaced, 2.5V to 5.5V, 20-Port and 28-Port I/O Expander

Table 1. Port Configuration Map

REGISTER	ADDRESS CODE (HEX)	REGISTER DATA							
		D7	D6	D5	D4	D3	D2	D1	D0
Port Configuration for P7, P6, P5, P4	0x09	P7		P6		P5		P4	
Port Configuration for P11, P10, P9, P8	0x0A	P11		P10		P9		P8	
Port Configuration for P15, P14, P13, P12	0x0B	P15		P14		P13		P12	
Port Configuration for P19, P18, P17, P16	0x0C	P19		P18		P17		P16	
Port Configuration for P23, P22, P21, P20	0x0D	P23		P22		P21		P20	
Port Configuration for P27, P26, P25, P24	0x0E	P27		P26		P25		P24	
Port Configuration for P31, P30, P29, P28	0x0F	P31		P30		P29		P28	

Table 2. Port Configuration Matrix

MODE	FUNCTION	PORT REGISTER (0x20–0x5F) (0xA0–0xDF)	PIN BEHAVIOR	ADDRESS CODE (HEX)	PORT CONFIGURATION BIT PAIR	
					UPPER	LOWER
DO NOT USE THIS SETTING				0x09 to 0x0F	0	0
Output	GPIO Output	Register bit = 0	Active-low logic output	0x09 to 0x0F	0	1
		Register bit = 1	Active-high logic output			
Input	GPIO Input Without Pullup	Register bit = input logic level	Schmitt logic input	0x09 to 0x0F	1	0
Input	GPIO Input with Pullup		Schmitt logic input with pullup	0x09 to 0x0F	1	1

Serial Interface

The MAX7301 communicates through an SPI-compatible 4-wire serial interface. The interface has three inputs, Clock (SCLK), Chip Select (\overline{CS}), and Data In (DIN), and one output, Data Out (DOUT). \overline{CS} must be low to clock data into or out of the device, and DIN must be stable when sampled on the rising edge of SCLK. DOUT provides a copy of the bit that was input 15.5 clocks earlier, or upon a query it outputs internal register data, and is stable on the rising edge of SCLK. **Note that the SPI protocol expects DOUT to be high impedance when the MAX7301 is not being accessed; DOUT on the MAX7301 is never high impedance. See www.maxim-ic.com/an1879 for ways to convert DOUT to tri-state, if required.**

SCLK and DIN may be used to transmit data to other peripherals, so the MAX7301 ignores all activity on SCLK and DIN except between the fall and subsequent rise of \overline{CS} .

Control and Operation Using the 4-Wire Interface

Controlling the MAX7301 requires sending a 16-bit word. The first byte, D15 through D8, is the command

address (Table 3), and the second byte, D7 through D0, is the data byte (Table 4 through Table 8).

Connecting Multiple MAX7301s to the 4-Wire Bus

Multiple MAX7301s may be daisy-chained by connecting the DOUT of one device to the DIN of the next, and driving SCLK and \overline{CS} lines in parallel (Figure 3). Data at DIN propagates through the internal shift registers and appears at DOUT 15.5 clock cycles later, clocked out on the falling edge of SCLK. When sending commands to multiple MAX7301s, all devices are accessed at the same time. An access requires $(16 \times n)$ clock cycles, where n is the number of MAX7301s connected together. To update just one device in a daisy-chain, the user can send the No-Op command (0x00) to the others.

Writing Device Registers

The MAX7301 contains a 16-bit shift register into which DIN data are clocked on the rising edge of SCLK, when \overline{CS} is low. When \overline{CS} is high, transitions on SCLK have no effect. When \overline{CS} goes high, the 16 bits in the Shift register are parallel loaded into a 16-bit latch. The 16 bits in the latch are then decoded and executed.

4-Wire-Interfaced, 2.5V to 5.5V, 20-Port and 28-Port I/O Expander

MAX7301

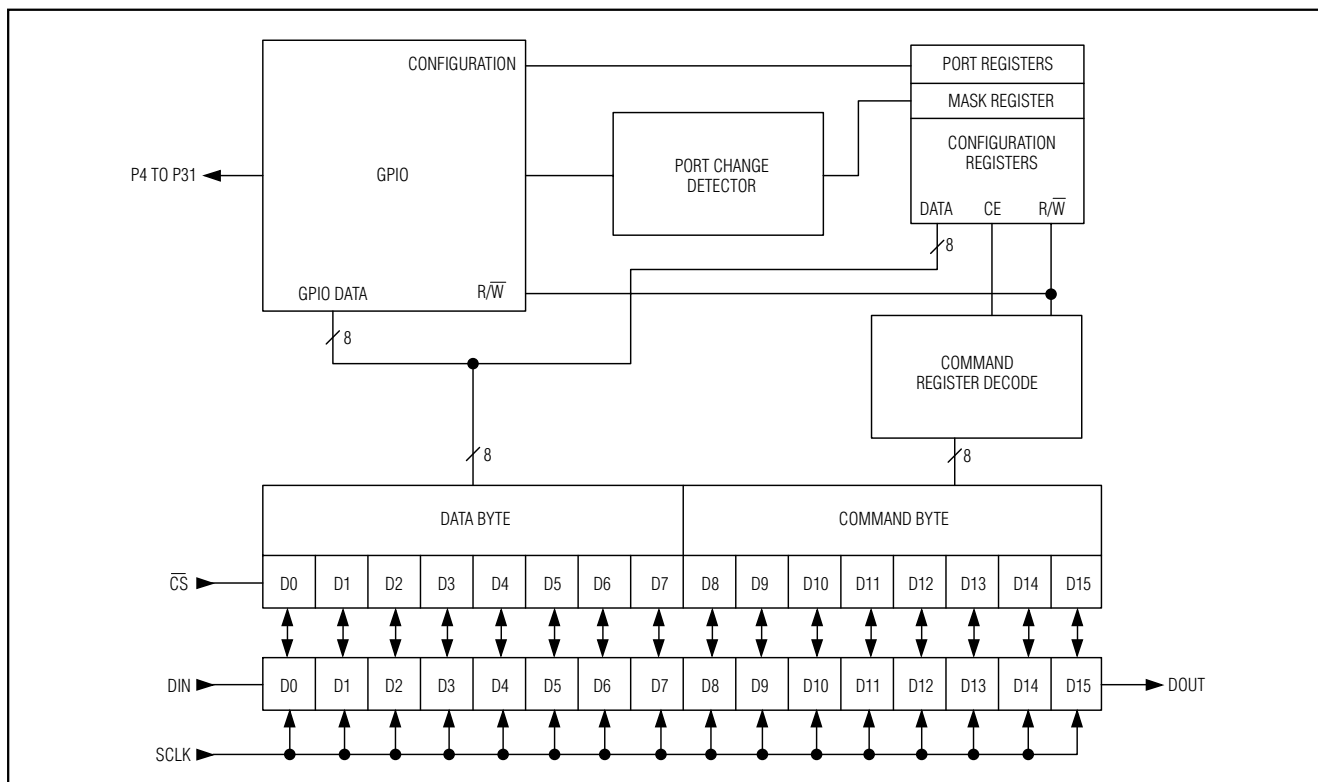


Figure 1. MAX7301 Functional Diagram

The MAX7301 is written to using the following sequence:

- 1) Take SCLK low.
- 2) Take \overline{CS} low. This enables the internal 16-bit shift register.
- 3) Clock 16 bits of data into DIN—D15 first, D0 last—observing the setup and hold times (bit D15 is low, indicating a write command).
- 4) Take \overline{CS} high (either while SCLK is still high after clocking in the last data bit, or after taking SCLK low).
- 5) Take SCLK low (if not already low).

Figure 4 shows a write operation when 16 bits are transmitted.

It is acceptable to clock more than 16 bits into the MAX7301 between taking \overline{CS} low and taking \overline{CS} high again. In this case, only the last 16 bits clocked into the MAX7301 are retained.

Reading Device Registers

Any register data within the MAX7301 may be read by sending a logic high to bit D15. The sequence is:

- 1) Take SCLK low.
- 2) Take \overline{CS} low (this enables the internal 16-bit Shift register).
- 3) Clock 16 bits of data into DIN—D15 first to D0 last. D15 is high, indicating a read command and bits D14 through D8 containing the address of the register to be read. Bits D7–D0 contain dummy data, which is discarded.
- 4) Take \overline{CS} high (either while SCLK is still high after clocking in the last data bit, or after taking SCLK low), positions D7 through D0 in the Shift register are now loaded with the register data addressed by bits D1 through D8.
- 5) Take SCLK low (if not already low).
- 6) Issue another read or write command (which can be a No-Op), and examine the bit stream at DOUT; the second 8 bits are the contents of the register addressed by bits D1 through D8 in step 3.

4-Wire-Interfaced, 2.5V to 5.5V, 20-Port and 28-Port I/O Expander

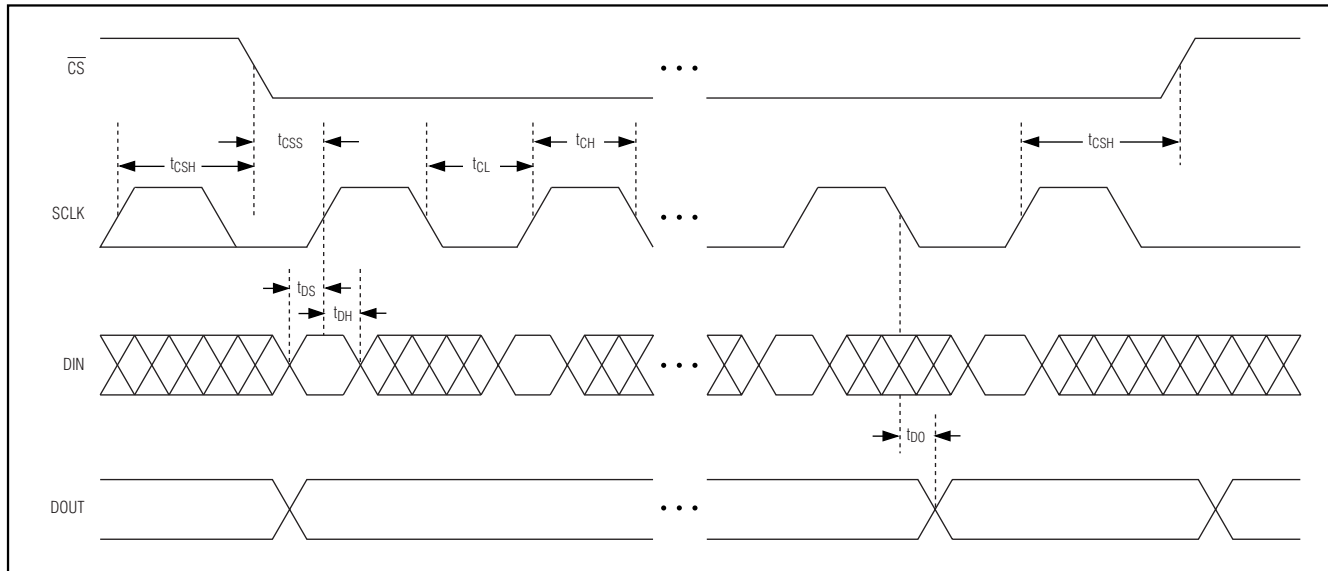


Figure 2. 4-Wire Interface

Initial Power-Up

On initial power-up, all control registers are reset, and the MAX7301 enters shutdown mode (Table 4).

Transition (Port Data Change) Detection

Port transition detection allows any combination of the seven ports P24–P30 to be continuously monitored for changes in their logic status (Figure 5). A detected change is flagged on port P31, which is used as an active-high interrupt output (INT). Note that the MAX7301 does not identify which specific port(s) caused the interrupt, but provides an alert that one or more port levels have changed.

The mask register contains 7 mask bits that select which of the seven ports, P24–P30 are to be monitored (Table 8). Set the appropriate mask bit to enable that port for transition detect. Clear the mask bit if transitions on that port are to be ignored. Transition detection works regardless of whether the port being monitored is set to input or output, but generally it is not particularly useful to enable transition detection for outputs.

Port P31 must be configured as an output in order to work as the interrupt output INT when transition detection is used. Port P31 is set as output by writing bit D7 = 0 and bit D6 = 1 to the port configuration register (Table 1).

To use transition detection, first set up the mask register and configure port P31 as an output, as described above. Then enable transition detection by setting the M bit in the configuration register (Table 7). Whenever

the configuration register is written with the M bit set, the MAX7301 updates an internal 7-bit snapshot register, which holds the comparison copy of the logic states of ports P24 through P30. The update action occurs regardless of the previous state of the M bit, so that it is not necessary to clear the M bit and then set it again to update the snapshot register.

When the configuration register is written with the M bit set, transition detection is enabled and remains enabled until either the configuration register is written with the M bit clear, or a transition is detected. The INT output port P31 goes low, if it was not already low.

Once transition detection is enabled, the MAX7301 continuously compares the snapshot register against the changing states of P24 through P31. If a change on any of the monitored ports is detected, even for a short time (like a pulse), INT output port P31 is latched high. The INT output is not cleared if more changes occur or if the data pattern returns to its original snapshot condition. The only way to clear INT is to access (read or write) the transition detection mask register (Table 8).

Transition detection is a one-shot event. When INT has been cleared after responding to a transition event, transition detection is automatically disabled, even though the M bit in the configuration register remains set (unless cleared by the user). Reenable transition detection by writing the configuration register with the M bit set, to take a new snapshot of the seven ports P24 to P30.

4-Wire-Interfaced, 2.5V to 5.5V, 20-Port and 28-Port I/O Expander

MAX7301

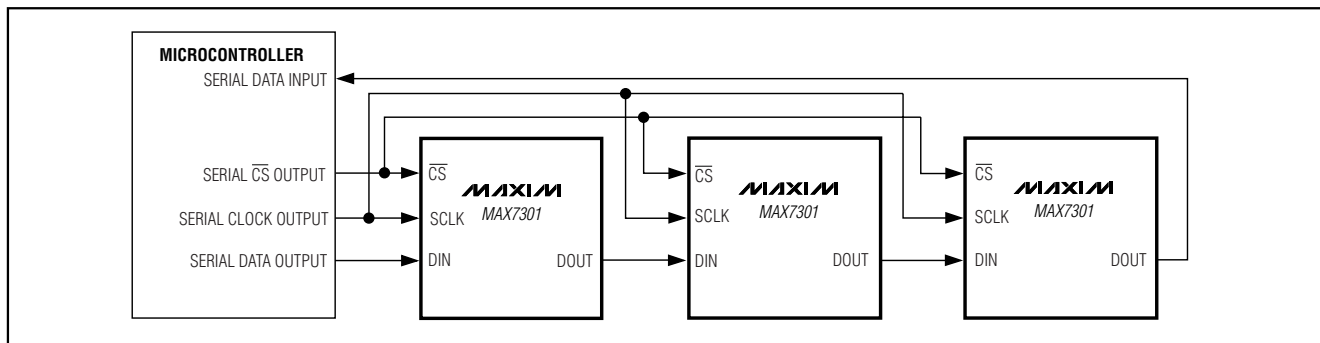


Figure 3. Daisy-Chain Arrangement for Controlling Multiple MAX7301s

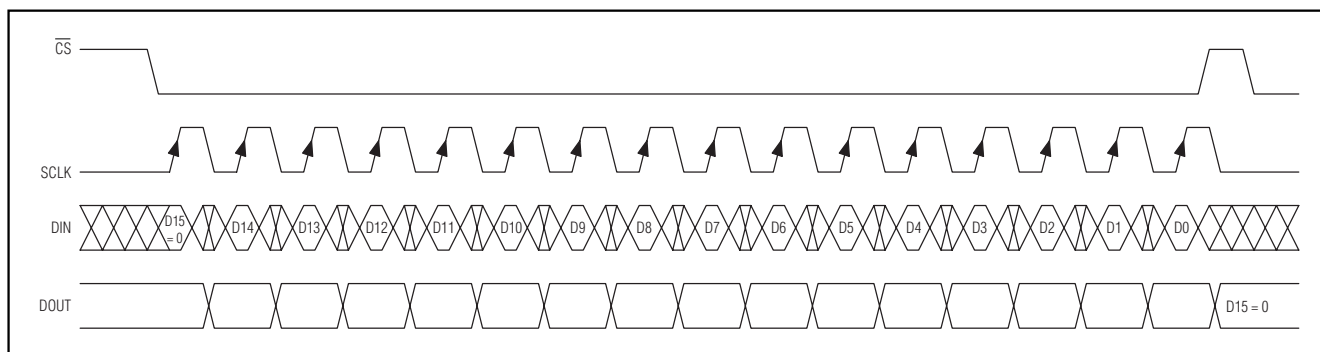


Figure 4. Transmission of a 16-Bit Write to the MAX7301

External Component R_{ISET}

The MAX7301 uses an external resistor, R_{ISET}, to set internal biasing. Use a resistor value of 39kΩ.

Applications Information

Low-Voltage Operation

The MAX7301 operates down to 2V supply voltage (although the sourcing and sinking currents are not guaranteed), providing that the MAX7301 is powered up initially to at least 2.5V to trigger the device's internal reset, and also that the serial interface is constrained to 10Mbps.

SPI Routing Considerations

The MAX7301's SPI interface is guaranteed to operate at 26Mbps on a 2.5V supply, and on a 5V supply typically operates at 50Mbps. This means that transmission line issues should be considered when the interface connections are longer than 100mm, particularly with higher supply voltages. Ringing manifests itself as communication issues, often intermittent, typically due to double clocking due to ringing at the SCLK input. Fit a 1kΩ to 10kΩ parallel termination resistor to either GND or V₊ at the DIN, SCLK, and CS input to damp

ringing for moderately long interface runs. Use line-impedance matching terminations when making connections between boards.

PC Board Layout Considerations

Ensure that all the MAX7301 GND connections are used. A ground plane is not necessary, but may be useful to reduce supply impedance if the MAX7301 outputs are to be heavily loaded. Keep the track length from the ISET pin to the R_{ISET} resistor as short as possible, and take the GND end of the resistor either to the ground plane or directly to the ground pins.

Power-Supply Considerations

The MAX7301 operates with power-supply voltages of 2.5V to 5.5V. Bypass the power supply to GND with a 0.047μF capacitor as close to the device as possible. Add a 1μF capacitor if the MAX7301 is far away from the board's input bulk decoupling capacitor.

Chip Information

TRANSISTOR COUNT: 30,316

PROCESS: CMOS

4-Wire-Interfaced, 2.5V to 5.5V, 20-Port and 28-Port I/O Expander

Table 3. Register Address Map

REGISTER	COMMAND ADDRESS								HEX CODE
	D15	D14	D13	D12	D11	D10	D9	D8	
No-Op	R \overline{W}	0	0	0	0	0	0	0	0x00
Configuration	R \overline{W}	0	0	0	0	1	0	0	0x04
Transition Detect Mask	R \overline{W}	0	0	0	0	1	1	0	0x06
Factory Reserved. Do not write to this.	R \overline{W}	0	0	0	0	1	1	1	0x07
Port Configuration P7, P6, P5, P4	R \overline{W}	0	0	0	1	0	0	1	0x09
Port Configuration P11, P10, P9, P8	R \overline{W}	0	0	0	1	0	1	0	0x0A
Port Configuration P15, P14, P13, P12	R \overline{W}	0	0	0	1	0	1	1	0x0B
Port Configuration P19, P18, P17, P16	R \overline{W}	0	0	0	1	1	0	0	0x0C
Port Configuration P23, P22, P21, P20	R \overline{W}	0	0	0	1	1	0	1	0x0D
Port Configuration P27, P26, P25, P24	R \overline{W}	0	0	0	1	1	1	0	0x0E
Port Configuration P31, P30, P29, P28	R \overline{W}	0	0	0	1	1	1	1	0x0F
Port 0 only (virtual port, no action)	R \overline{W}	0	1	0	0	0	0	0	0x20
Port 1 only (virtual port, no action)	R \overline{W}	0	1	0	0	0	0	1	0x21
Port 2 only (virtual port, no action)	R \overline{W}	0	1	0	0	0	1	0	0x22
Port 3 only (virtual port, no action)	R \overline{W}	0	1	0	0	0	1	1	0x23
Port 4 only (data bit D0. D7–D1 read as 0)	R \overline{W}	0	1	0	0	1	0	0	0x24
Port 5 only (data bit D0. D7–D1 read as 0)	R \overline{W}	0	1	0	0	1	0	1	0x25
Port 6 only (data bit D0. D7–D1 read as 0)	R \overline{W}	0	1	0	0	1	1	0	0x26
Port 7 only (data bit D0. D7–D1 read as 0)	R \overline{W}	0	1	0	0	1	1	1	0x27
Port 8 only (data bit D0. D7–D1 read as 0)	R \overline{W}	0	1	0	1	0	0	0	0x28
Port 9 only (data bit D0. D7–D1 read as 0)	R \overline{W}	0	1	0	1	0	0	1	0x29
Port 10 only (data bit D0. D7–D1 read as 0)	R \overline{W}	0	1	0	1	0	1	0	0x2A
Port 11 only (data bit D0. D7–D1 read as 0)	R \overline{W}	0	1	0	1	0	1	1	0x2B
Port 12 only (data bit D0. D7–D1 read as 0)	R \overline{W}	0	1	0	1	1	0	0	0x2C
Port 13 only (data bit D0. D7–D1 read as 0)	R \overline{W}	0	1	0	1	1	0	1	0x2D
Port 14 only (data bit D0. D7–D1 read as 0)	R \overline{W}	0	1	0	1	1	1	0	0x2E
Port 15 only (data bit D0. D7–D1 read as 0)	R \overline{W}	0	1	0	1	1	1	1	0x2F
Port 16 only (data bit D0. D7–D1 read as 0)	R \overline{W}	0	1	1	0	0	0	0	0x30
Port 17 only (data bit D0. D7–D1 read as 0)	R \overline{W}	0	1	1	0	0	0	1	0x31
Port 18 only (data bit D0. D7–D1 read as 0)	R \overline{W}	0	1	1	0	0	1	0	0x32
Port 19 only (data bit D0. D7–D1 read as 0)	R \overline{W}	0	1	1	0	0	1	1	0x33
Port 20 only (data bit D0. D7–D1 read as 0)	R \overline{W}	0	1	1	0	1	0	0	0x34
Port 21 only (data bit D0. D7–D1 read as 0)	R \overline{W}	0	1	1	0	1	0	1	0x35
Port 22 only (data bit D0. D7–D1 read as 0)	R \overline{W}	0	1	1	0	1	1	0	0x36
Port 23 only (data bit D0. D7–D1 read as 0)	R \overline{W}	0	1	1	0	1	1	1	0x37
Port 24 only (data bit D0. D7–D1 read as 0)	R \overline{W}	0	1	1	1	0	0	0	0x38
Port 25 only (data bit D0. D7–D1 read as 0)	R \overline{W}	0	1	1	1	0	0	1	0x39

4-Wire-Interfaced, 2.5V to 5.5V, 20-Port and 28-Port I/O Expander

MAX7301

Table 3. Register Address Map (continued)

REGISTER	COMMAND ADDRESS								HEX CODE
	D15	D14	D13	D12	D11	D10	D9	D8	
Port 26 only (data bit D0. D7–D1 read as 0)	R \overline{W}	0	1	1	1	0	1	0	0x3A
Port 27 only (data bit D0. D7–D1 read as 0)	R \overline{W}	0	1	1	1	0	1	1	0x3B
Port 28 only (data bit D0. D7–D1 read as 0)	R \overline{W}	0	1	1	1	1	0	0	0x3C
Port 29 only (data bit D0. D7–D1 read as 0)	R \overline{W}	0	1	1	1	1	0	1	0x3D
Port 30 only (data bit D0. D7–D1 read as 0)	R \overline{W}	0	1	1	1	1	1	0	0x3E
Port 31 only (data bit D0. D7–D1 read as 0)	R \overline{W}	0	1	1	1	1	1	1	0x3F
4 ports 4–7 (data bits D0–D3. D4–D7 read as 0)	R \overline{W}	1	0	0	0	0	0	0	0x40
5 ports 4–8 (data bits D0–D4. D5–D7 read as 0)	R \overline{W}	1	0	0	0	0	0	1	0x41
6 ports 4–9 (data bits D0–D5. D6–D7 read as 0)	R \overline{W}	1	0	0	0	0	1	0	0x42
7 ports 4–10 (data bits D0–D6. D7 reads as 0)	R \overline{W}	1	0	0	0	0	1	1	0x43
8 ports 4–11 (data bits D0–D7)	R \overline{W}	1	0	0	0	1	0	0	0x44
8 ports 5–12 (data bits D0–D7)	R \overline{W}	1	0	0	0	1	0	1	0x45
8 ports 6–13 (data bits D0–D7)	R \overline{W}	1	0	0	0	1	1	0	0x46
8 ports 7–14 (data bits D0–D7)	R \overline{W}	1	0	0	0	1	1	1	0x47
8 ports 8–15 (data bits D0–D7)	R \overline{W}	1	0	0	1	0	0	0	0x48
8 ports 9–16 (data bits D0–D7)	R \overline{W}	1	0	0	1	0	0	1	0x49
8 ports 10–17 (data bits D0–D7)	R \overline{W}	1	0	0	1	0	1	0	0x4A
8 ports 11–18 (data bits D0–D7)	R \overline{W}	1	0	0	1	0	1	1	0x4B
8 ports 12–19 (data bits D0–D7)	R \overline{W}	1	0	0	1	1	0	0	0x4C
8 ports 13–20 (data bits D0–D7)	R \overline{W}	1	0	0	1	1	0	1	0x4D
8 ports 14–21 (data bits D0–D7)	R \overline{W}	1	0	0	1	1	1	0	0x4E
8 ports 15–22 (data bits D0–D7)	R \overline{W}	1	0	0	1	1	1	1	0x4F
8 ports 16–23 (data bits D0–D7)	R \overline{W}	1	0	1	0	0	0	0	0x50
8 ports 17–24 (data bits D0–D7)	R \overline{W}	1	0	1	0	0	0	1	0x51
8 ports 18–25 (data bits D0–D7)	R \overline{W}	1	0	1	0	0	1	0	0x52
8 ports 19–26 (data bits D0–D7)	R \overline{W}	1	0	1	0	0	1	1	0x53
8 ports 20–27 (data bits D0–D7)	R \overline{W}	1	0	1	0	1	0	0	0x54
8 ports 21–28 (data bits D0–D7)	R \overline{W}	1	0	1	0	1	0	1	0x55
8 ports 22–29 (data bits D0–D7)	R \overline{W}	1	0	1	0	1	1	0	0x56
8 ports 23–30 (data bits D0–D7)	R \overline{W}	1	0	1	0	1	1	1	0x57
8 ports 24–31 (data bits D0–D7)	R \overline{W}	1	0	1	1	0	0	0	0x58
7 ports 25–31 (data bits D0–D6. D7 reads as 0)	R \overline{W}	1	0	1	1	0	0	1	0x59
6 ports 26–31 (data bits D0–D5. D6–D7 read as 0)	R \overline{W}	1	0	1	1	0	1	0	0x5A
5 ports 27–31 (data bits D0–D4. D5–D7 read as 0)	R \overline{W}	1	0	1	1	0	1	1	0x5B
4 ports 28–31 (data bits D0–D3. D4–D7 read as 0)	R \overline{W}	1	0	1	1	1	0	0	0x5C
3 ports 29–31 (data bits D0–D2. D3–D7 read as 0)	R \overline{W}	1	0	1	1	1	0	1	0x5D
2 ports 30–31 (data bits D0–D1. D2–D7 read as 0)	R \overline{W}	1	0	1	1	1	1	0	0x5E
1 port 31 only (data bit D0. D1–D7 read as 0)	R \overline{W}	1	0	1	1	1	1	1	0x5F

Note: Unused bits read as 0.

4-Wire-Interfaced, 2.5V to 5.5V, 20-Port and 28-Port I/O Expander

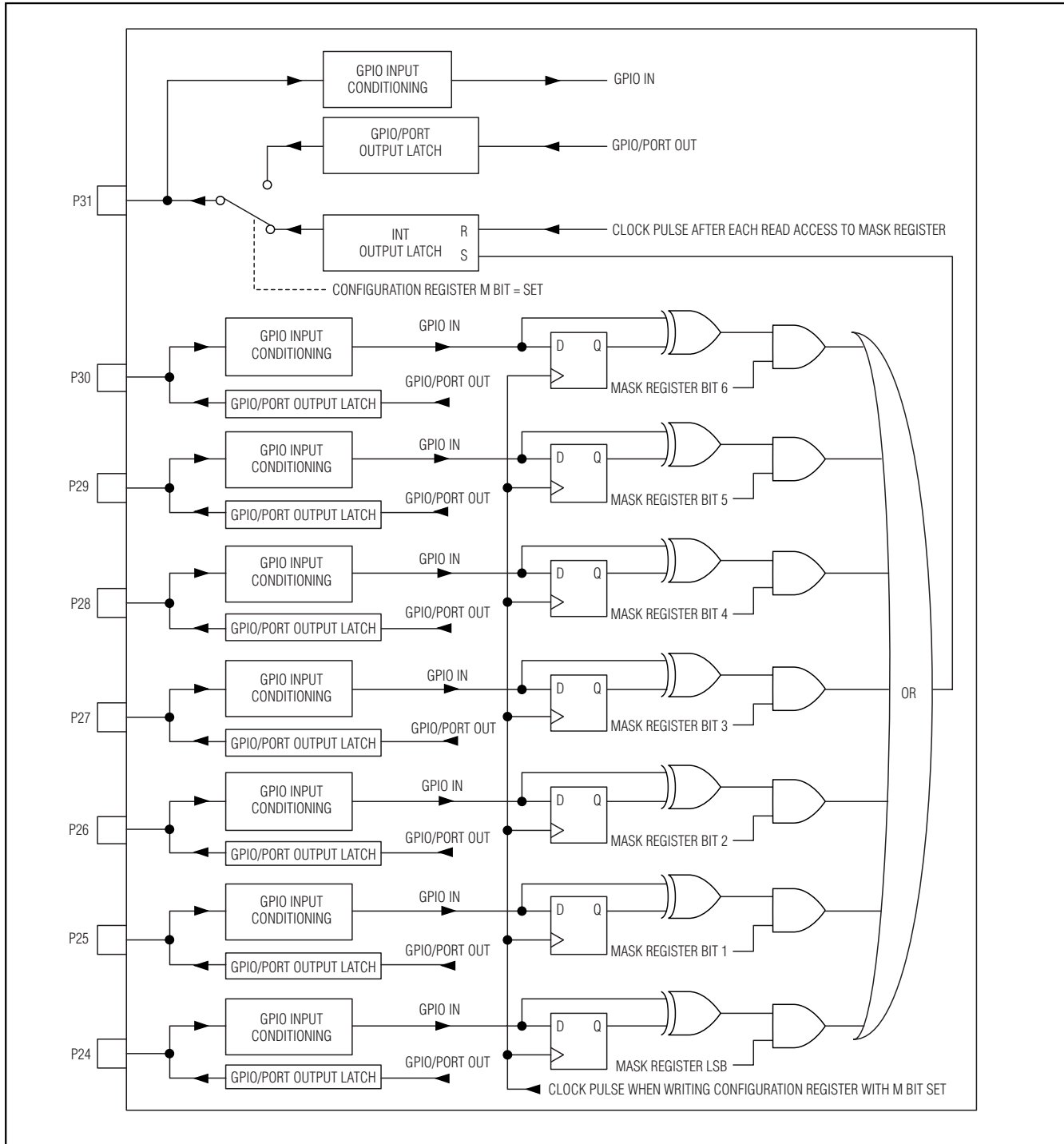


Figure 5. Maskable GPIO Ports P24 Through P31

4-Wire-Interfaced, 2.5V to 5.5V, 20-Port and 28-Port I/O Expander

MAX7301

Table 4. Power-Up Configuration

REGISTER FUNCTION	POWER-UP CONDITION	ADDRESS CODE (HEX)	REGISTER DATA							
			D7	D6	D5	D4	D3	D2	D1	D0
Port Register Bits 4 to 31	GPIO Output Low	0x24 to 0x3F	X	X	X	X	X	X	X	0
Configuration Register	Shutdown Enabled Transition Detection Disabled	0x04	0	0	X	X	X	X	X	0
Input Mask Register	All Clear (Masked Off)	0x06	X	0	0	0	0	0	0	0
Port Configuration	P7, P6, P5, P4: GPIO Inputs Without Pullup	0x09	1	0	1	0	1	0	1	0
Port Configuration	P11, P10, P9, P8: GPIO Inputs Without Pullup	0x0A	1	0	1	0	1	0	1	0
Port Configuration	P15, P14, P13, P12: GPIO Inputs Without Pullup	0x0B	1	0	1	0	1	0	1	0
Port Configuration	P19, P18, P17, P16: GPIO Inputs Without Pullup	0x0C	1	0	1	0	1	0	1	0
Port Configuration	P23, P22, P21, P20: GPIO Inputs Without Pullup	0x0D	1	0	1	0	1	0	1	0
Port Configuration	P27, P26, P25, P24: GPIO Inputs Without Pullup	0x0E	1	0	1	0	1	0	1	0
Port Configuration	P31, P30, P29, P28: GPIO Inputs Without Pullup	0x0F	1	0	1	0	1	0	1	0

X = unused bits; if read, zero results.

Table 5. Configuration Register Format

FUNCTION	ADDRESS CODE (HEX)	REGISTER DATA							
		D7	D6	D5	D4	D3	D2	D1	D0
Configuration Register	0x04	M	0	X	X	X	X	X	S

Table 6. Shutdown Control (S Data Bit D0) Format

FUNCTION	ADDRESS CODE (HEX)	REGISTER DATA							
		D7	D6	D5	D4	D3	D2	D1	D0
Shutdown	0x04	M	0	X	X	X	X	X	0
Normal Operation	0x04	M	0	X	X	X	X	X	1

4-Wire-Interfaced, 2.5V to 5.5V, 20-Port and 28-Port I/O Expander

Table 7. Transition Detection Control (M Data Bit D7) Format

FUNCTION	ADDRESS CODE (HEX)	REGISTER DATA							
		D7	D6	D5	D4	D3	D2	D1	D0
Disabled	0x04	0	0	X	X	X	X	X	S
Enabled	0x04	1	0	X	X	X	X	X	S

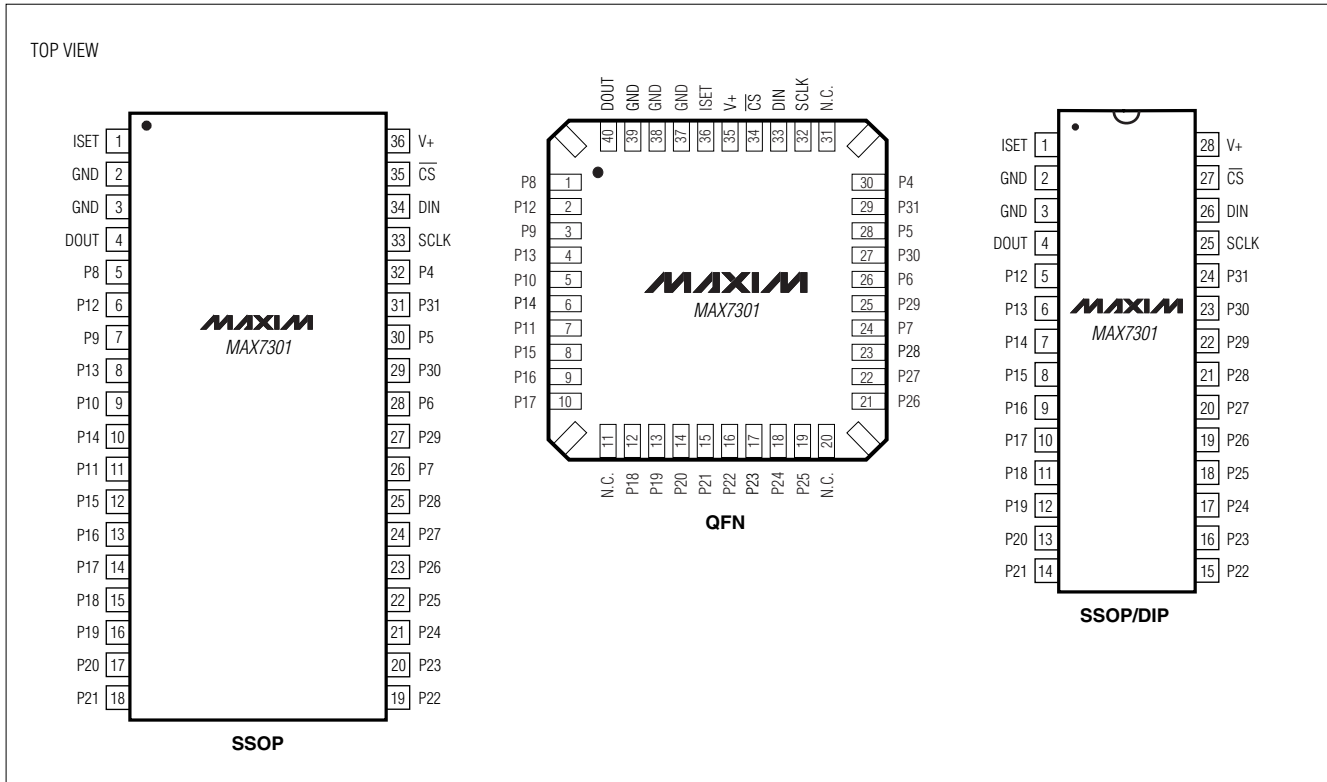
Table 8. Transition Detection Mask Register

FUNCTION	REGISTER ADDRESS (HEX)	READ/ WRITE	REGISTER DATA							
			D7	D6	D5	D4	D3	D2	D1	D0
Mask Register	0x06	Read	0	Port 30	Port 29	Port 28	Port 27	Port 26	Port 25	Port 24
		Write	Unchanged	mask	mask	mask	mask	mask	mask	mask

4-Wire-Interfaced, 2.5V to 5.5V, 20-Port and 28-Port I/O Expander

Pin Configurations

MAX7301



4-Wire-Interfaced, 2.5V to 5.5V, 20-Port and 28-Port I/O Expander

Package Information

(The package drawing(s) in this data sheet may not reflect the most current specifications. For the latest package outline information, go to www.maxim-ic.com/packages.)

DIM	INCHES		MILLIMETERS	
	MIN	MAX	MIN	MAX
A	0.068	0.078	1.73	1.99
A1	0.002	0.008	0.05	0.21
B	0.010	0.015	0.25	0.38
C	0.004	0.008	0.09	0.20
D	SEE VARIATIONS			
E	0.205	0.212	5.20	5.38
e	0.0256 BSC		0.65 BSC	
H	0.301	0.311	7.65	7.90
L	0.025	0.037	0.63	0.95
α	0	8	0	8

DIM	INCHES		MILLIMETERS		N
	MIN	MAX	MIN	MAX	
D	0.239	0.249	6.07	6.33	14L
D	0.239	0.249	6.07	6.33	16L
D	0.278	0.289	7.07	7.33	20L
D	0.317	0.328	8.07	8.33	24L
D	0.397	0.407	10.07	10.33	28L

NOTES:
 1. D&E DO NOT INCLUDE MOLD FLASH.
 2. MOLD FLASH OR PROTRUSIONS NOT TO EXCEED .15 MM (.006").
 3. CONTROLLING DIMENSION: MILLIMETERS.
 4. MEETS JEDEC MO150.
 5. LEADS TO BE COPLANAR WITHIN 0.10 MM.

DALLAS SEMICONDUCTOR **MAXIM**
 PROPRIETARY INFORMATION
 TITLE: PACKAGE OUTLINE, SSOP, 5.3 MM
 APPROVAL: [] DOCUMENT CONTROL NO: 21-0056 REV: C 1/1

SSOP.EPS

4-Wire-Interfaced, 2.5V to 5.5V, 20-Port and 28-Port I/O Expander

Package Information (continued)

(The package drawing(s) in this data sheet may not reflect the most current specifications. For the latest package outline information, go to www.maxim-ic.com/packages.)



MAX7301

COMMON DIMENSIONS						
PKG	36L 6x6			40L 6x6		
SYMBOL	MIN.	NDM.	MAX.	MIN.	NDM.	MAX.
A	0.80	0.90	1.00	0.80	0.90	1.00
A1	0.00	0.01	0.05	0.00	0.01	0.05
A2	0.00	0.65	0.80	0.00	0.65	0.80
A3	0.20 REF			0.20 REF		
b	0.18	0.23	0.30	0.18	0.23	0.30
D	5.90	6.00	6.10	5.90	6.00	6.10
D1	5.75 BSC			5.75 BSC		
E	5.90	6.00	6.10	5.90	6.00	6.10
E1	5.75 BSC			5.75 BSC		
e	0.50 BSC			0.50 BSC		
k	0.25	-	-	0.25	-	-
L	0.50	0.60	0.75	0.30	0.40	0.50
N	36			40		
Nd	6			10		
Ne	6			10		
P	0.24	0.42	0.60	0.24	0.42	0.60
U	10*	11*	12*	10*	11*	12*

EXPOSED PAD VARIATIONS						
PKG. CODES	D2			E2		
	MIN.	NDM.	MAX.	MIN.	NDM.	MAX.
G3666-1	3.55	3.70	3.85	3.55	3.70	3.85
G4066-1	3.95	4.10	4.25	3.95	4.10	4.25

NOTES:

- DIE THICKNESS ALLOWABLE IS 0.305mm MAXIMUM (.012 INCHES MAXIMUM).
- DIMENSIONING & TOLERANCES CONFORM TO ASME Y14.5M. – 1994.
- Δ N IS THE NUMBER OF TERMINALS.
Nd IS THE NUMBER OF TERMINALS IN X-DIRECTION &
Ne IS THE NUMBER OF TERMINALS IN Y-DIRECTION.
- Δ DIMENSION b APPLIES TO PLATED TERMINAL AND IS MEASURED BETWEEN 0.20 AND 0.25mm FROM TERMINAL TIP.
- Δ THE PIN #1 IDENTIFIER MUST BE EXISTED ON THE TOP SURFACE OF THE PACKAGE BY USING INDENTATION MARK OR INK/LASER MARKED. DETAILS OF PIN #1 IDENTIFIER IS OPTIONAL, BUT MUST BE LOCATED WITHIN ZONE INDICATED.
- Δ EXACT SHAPE AND SIZE OF THIS FEATURE IS OPTIONAL.
- ALL DIMENSIONS ARE IN MILLIMETERS.
- PACKAGE WARPAGE MAX 0.05mm.
- Δ APPLIED FOR EXPOSED PAD AND TERMINALS. EXCLUDE EMBEDDING PART OF EXPOSED PAD FROM MEASURING.
- MEETS JEDEC MO220.
- THIS PACKAGE OUTLINE APPLIES TO ANVIL SINGULATION (STEPPED SIDES).
- LEADS TO BE COPLANAR 0.08 mm

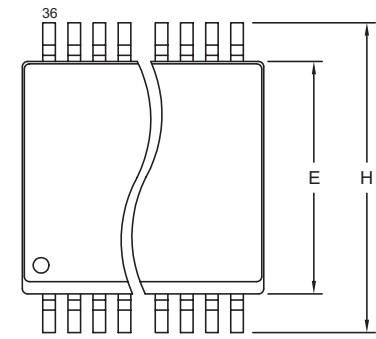
 DALLAS SEMICONDUCTOR			
PROPRIETARY INFORMATION			
TITLE: PACKAGE OUTLINE, 36,40L QFN, 6x6x0.90 MM			
APPROVAL	DOCUMENT CONTROL NO.	REV	2/2
	21-0105	F	

4-Wire-Interfaced, 2.5V to 5.5V, 20-Port and 28-Port I/O Expander

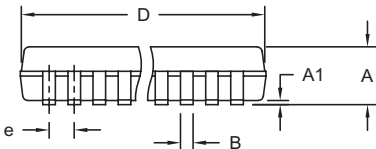
Package Information (continued)

(The package drawing(s) in this data sheet may not reflect the most current specifications. For the latest package outline information, go to www.maxim-ic.com/packages.)

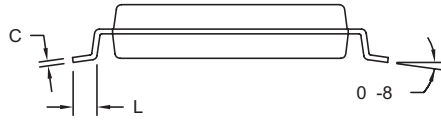
SSOP/EPS



TOP VIEW



FRONT VIEW



SIDE VIEW

DIM	INCHES		MILLIMETERS	
	MIN	MAX	MIN	MAX
A	0.096	0.104	2.44	2.65
A1	0.004	0.011	0.10	0.29
B	0.012	0.017	0.30	0.44
C	0.009	0.013	0.23	0.32
e	0.0315 BSC		0.80 BSC	
E	0.291	0.299	7.40	7.60
H	0.398	0.414	10.11	10.51
L	0.020	0.040	0.51	1.02
D	0.598	0.612	15.20	15.55

NOTES:

1. D&E DO NOT INCLUDE MOLD FLASH.
2. MOLD FLASH OR PROTRUSIONS NOT TO EXCEED 0.15mm (.006").
3. LEADS TO BE COPLANAR WITHIN 0.10mm (.004").
4. CONTROLLING DIMENSION: MILLIMETERS.

DALLAS SEMICONDUCTOR		MAXIM	
<small>PROPRIETARY INFORMATION</small>			
<small>TITLE:</small>			
PACKAGE OUTLINE, 36L SSOP, 0.80 MM PITCH			
<small>APPROVAL</small>	<small>DOCUMENT CONTROL NO.</small>	<small>REV.</small>	<small>1/1</small>
	21-0040	E	

Maxim cannot assume responsibility for use of any circuitry other than circuitry entirely embodied in a Maxim product. No circuit patent licenses are implied. Maxim reserves the right to change the circuitry and specifications without notice at any time.

18 Maxim Integrated Products, 120 San Gabriel Drive, Sunnyvale, CA 94086 408-737-7600