



STP80NF03L-04 STB80NF03L-04 STB80NF03L-04-1

N-CHANNEL 30V - 0.0035 Ω - 80A D²PAK/I²PAK/TO-220
STripFET™ II POWER MOSFET

| TYPE | V _{DSS} | R _{DS(on)} | I _D |
|------------------|------------------|---------------------|----------------|
| STB80NF03L-04/-1 | 30 V | <0.004 Ω | 80 A |
| STP80NF03L-04 | 30 V | <0.004 Ω | 80 A |

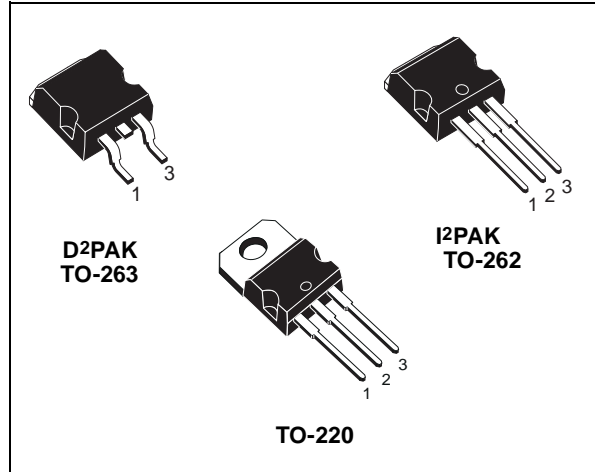
- TYPICAL R_{DS(on)} = 0.0035Ω
- EXCEPTIONAL dv/dt CAPABILITY
- 100% AVALANCHE TESTED
- LOW THRESHOLD DRIVE

DESCRIPTION

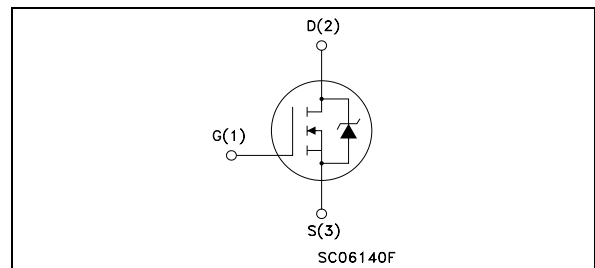
This Power MOSFET is the latest development of STMicroelectronics unique "Single Feature Size™" strip-based process. The resulting transistor shows extremely high packing density for low on-resistance, rugged avalanche characteristics and less critical alignment steps therefore a remarkable manufacturing reproducibility.

APPLICATIONS

- HIGH CURRENT, HIGH SPEED SWITCHING
- MOTOR CONTROL, AUDIO AMPLIFIERS
- DC-DC & DC-AC CONVERTERS
- AUTOMOTIVE ENVIRONMENT (INJECTION, ABS, AIR-BAG, LAMPDRIVERS, Etc.)



INTERNAL SCHEMATIC DIAGRAM



Ordering Information

| SALES TYPE | MARKING | PACKAGE | PACKAGING |
|-----------------|--------------|--------------------|-------------|
| STB80NF03L-04 | 80NF03L-04 @ | D ² PAK | TUBE |
| STB80NF03L-04T4 | 80NF03L-04 @ | D ² PAK | TAPE & REEL |
| STP80NF03L-04 | 80NF03L-04 @ | TO-220 | TUBE |
| STB80NF03L-04-1 | 80NF03L-04 @ | I ² PAK | TUBE |

ABSOLUTE MAXIMUM RATINGS

| Symbol | Parameter | Value | Unit |
|---------------------|--|------------|------|
| V _{DS} | Drain-source Voltage (V _{GS} = 0) | 30 | V |
| V _{DGR} | Drain-gate Voltage (R _{GS} = 20 kΩ) | 30 | V |
| V _{GS} | Gate- source Voltage | ± 20 | V |
| I _D (**) | Drain Current (continuous) at T _C = 25°C | 80 | A |
| I _D (**) | Drain Current (continuous) at T _C = 100°C | 80 | A |
| I _{DM} (•) | Drain Current (pulsed) | 320 | A |
| P _{tot} | Total Dissipation at T _C = 25°C | 300 | W |
| | Derating Factor | 2 | W/°C |
| dv/dt (1) | Peak Diode Recovery voltage slope | 2 | V/ns |
| E _{AS} (2) | Single Pulse Avalanche Energy | 2.3 | J |
| T _{stg} | Storage Temperature | -60 to 175 | °C |
| T _j | Max. Operating Junction Temperature | 175 | °C |

(•) Pulse width limited by safe operating area.

(**) Current Limited by Package

(1) I_{SD} ≤ 80A, di/dt ≤ 240A/μs, V_{DD} ≤ 24V, T_j ≤ T_{JMAX}

(2) Starting T_j = 25 °C, I_D = 40A, V_{DD} = 20V

STB80NF03L-04/-1/STP80NF03L-04**THERMAL DATA**

| | | | | |
|----------------|--|-----|------|------|
| Rthj-case | Thermal Resistance Junction-case | Max | 0.5 | °C/W |
| Rthj-amb | Thermal Resistance Junction-ambient | Max | 62.5 | °C/W |
| T _I | Maximum Lead Temperature For Soldering Purpose | Typ | 300 | °C |

ELECTRICAL CHARACTERISTICS (T_{case} = 25 °C unless otherwise specified)

OFF

| Symbol | Parameter | Test Conditions | Min. | Typ. | Max. | Unit |
|----------------------|---|---|------|------|---------|----------|
| V _{(BR)DSS} | Drain-source Breakdown Voltage | I _D = 250 μA V _{GS} = 0 | 30 | | | V |
| I _{DSS} | Zero Gate Voltage Drain Current (V _{GS} = 0) | V _{DS} = Max Rating V _{DS} = Max Rating T _C = 125°C | | | 1 10 | μA μA |
| I _{GSS} | Gate-body Leakage Current (V _{DS} = 0) | V _{GS} = ± 20 V | | | ±100 | nA |

ON (*)

| Symbol | Parameter | Test Conditions | Min. | Typ. | Max. | Unit |
|---------------------|-----------------------------------|---|------|-----------------|-----------------|--------|
| V _{GS(th)} | Gate Threshold Voltage | V _{DS} = V _{GS} I _D = 250 μA | 1 | | | V |
| R _{DS(on)} | Static Drain-source On Resistance | V _{GS} = 10 V I _D = 40 A V _{GS} = 4.5 V I _D = 40 A | | 0.0035 0.004 | 0.004 0.0055 | Ω Ω |

DYNAMIC

| Symbol | Parameter | Test Conditions | Min. | Typ. | Max. | Unit |
|---------------------|------------------------------|---|------|------|------|------|
| g _{fs} (*) | Forward Transconductance | V _{DS} = 15 V I _D = 15 A | | 50 | | S |
| C _{iss} | Input Capacitance | V _{DS} = 25V, f = 1 MHz, V _{GS} = 0 | | 5500 | | pF |
| C _{oss} | Output Capacitance | | | 1670 | | pF |
| C _{rss} | Reverse Transfer Capacitance | | | 290 | | pF |

ELECTRICAL CHARACTERISTICS (continued)

SWITCHING ON

| Symbol | Parameter | Test Conditions | Min. | Typ. | Max. | Unit |
|-------------------------------|--|---|------|----------------|------|----------------|
| $t_{d(on)}$ t_r | Turn-on Delay Time Rise Time | $V_{DD} = 15\text{ V}$ $I_D = 40\text{ A}$ $R_G = 4.7\ \Omega$ $V_{GS} = 4.5\text{ V}$ (Resistive Load, Figure 3) | | 30 270 | | ns ns |
| Q_g Q_{gs} Q_{gd} | Total Gate Charge Gate-Source Charge Gate-Drain Charge | $V_{DD} = 24\text{ V}$ $I_D = 80\text{ A}$ $V_{GS} = 4.5\text{ V}$ | | 85 23 40 | 110 | nC nC nC |

SWITCHING OFF

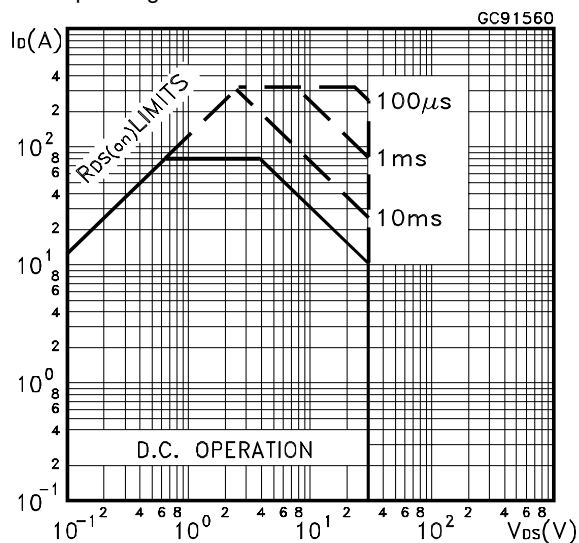
| Symbol | Parameter | Test Conditions | Min. | Typ. | Max. | Unit |
|---------------------------------|---|--|------|------------------|------|----------------|
| $t_{d(off)}$ t_f | Turn-off Delay Time Fall Time | $V_{DD} = 15\text{ V}$ $I_D = 40\text{ A}$ $R_G = 4.7\ \Omega$, $V_{GS} = 4.5\text{ V}$ (Resistive Load, Figure 3) | | 110 95 | | ns ns |
| $t_{r(Voff)}$ t_f t_c | Off-Voltage Rise Time Fall Time Cross-over Time | $V_{clamp} = 24\text{ V}$ $I_D = 80\text{ A}$ $R_G = 4.7\ \Omega$ $V_{GS} = 4.5\text{ V}$ (Inductive Load, Figure 5) | | 125 75 125 | | ns ns ns |

SOURCE DRAIN DIODE

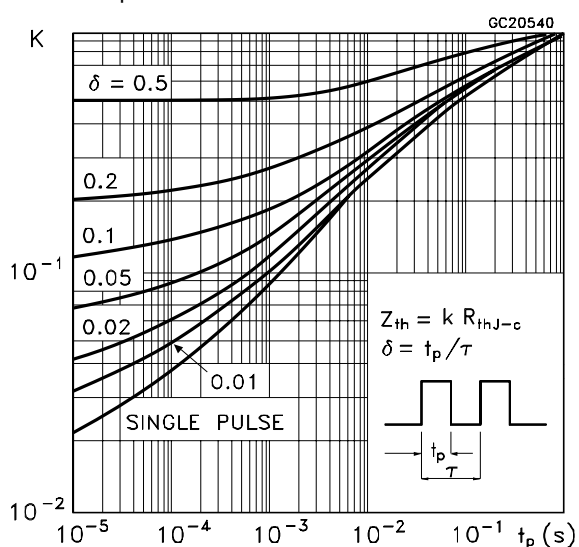
| Symbol | Parameter | Test Conditions | Min. | Typ. | Max. | Unit |
|-----------------------------------|--|---|------|-----------------|-----------|--------------------------|
| I_{SD} $I_{SDM} (*)$ | Source-drain Current Source-drain Current (pulsed) | | | | 80 320 | A A |
| $V_{SD} (*)$ | Forward On Voltage | $I_{SD} = 80\text{ A}$ $V_{GS} = 0$ | | | 1.5 | V |
| t_{rr} Q_{rr} I_{RRM} | Reverse Recovery Time Reverse Recovery Charge Reverse Recovery Current | $I_{SD} = 80\text{ A}$ $di/dt = 100\text{ A}/\mu\text{s}$ $V_{DD} = 20\text{ V}$ $T_j = 150^\circ\text{C}$ (see test circuit, Figure 5) | | 75 0.15 4 | | ns μC A |

(*)Pulsed: Pulse duration = 300 μs , duty cycle 1.5 %.
(●)Pulse width limited by safe operating area.

Safe Operating Area

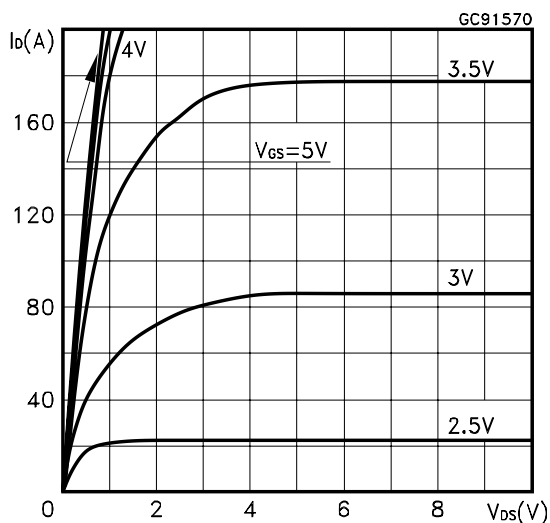


Thermal Impedance

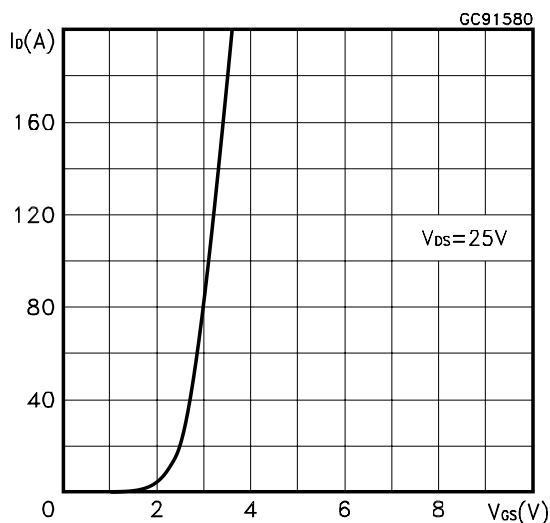


STB80NF03L-04/-1/STP80NF03L-04

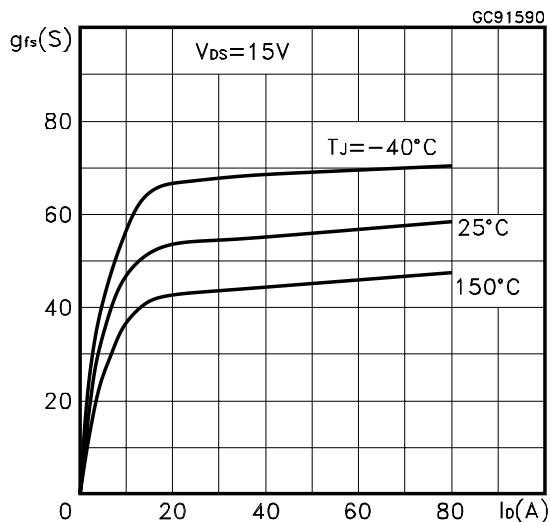
Output Characteristics



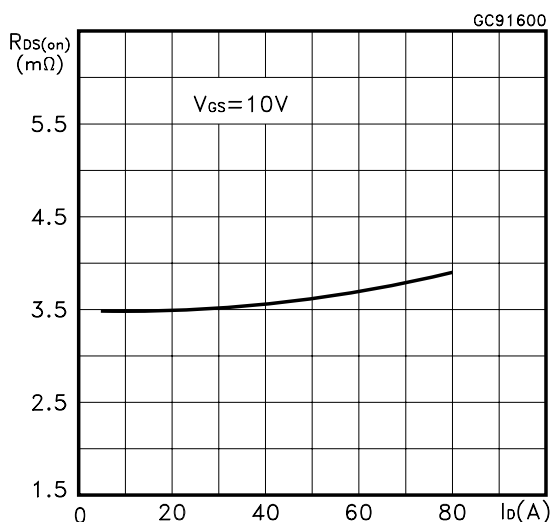
Transfer Characteristics



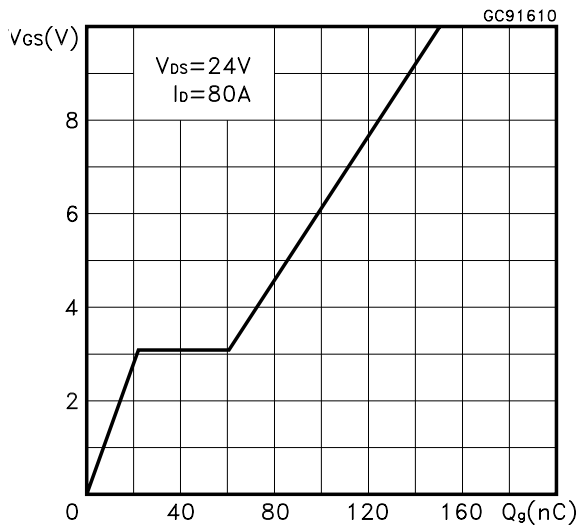
Transconductance



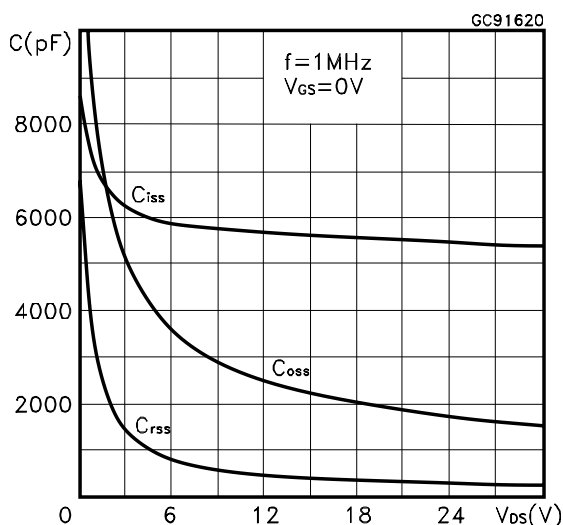
Static Drain-source On Resistance



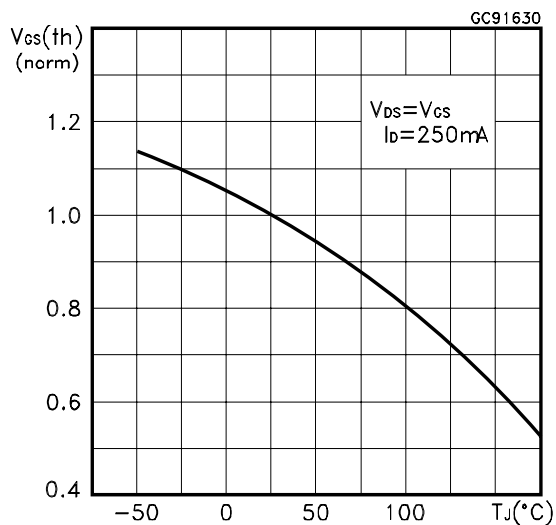
Gate Charge vs Gate-source Voltage



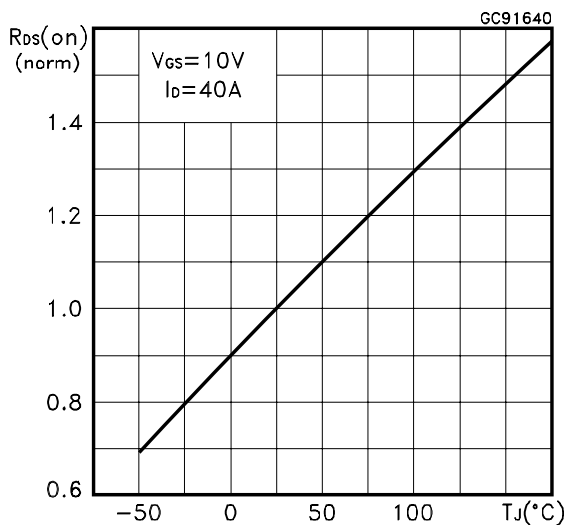
Capacitance Variations



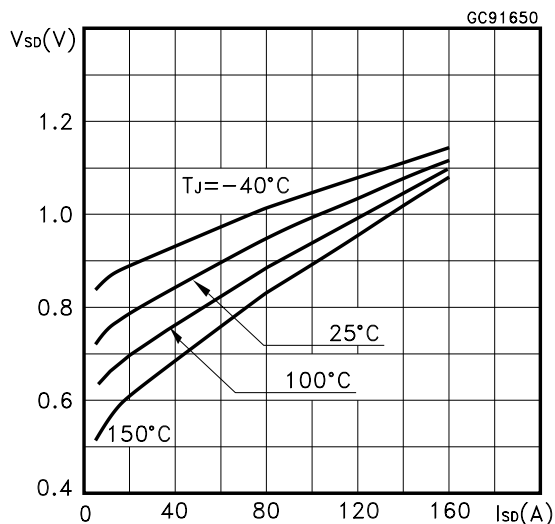
Normalized Gate Threshold Voltage vs Temperature



Normalized on Resistance vs Temperature



Source-drain Diode Forward Characteristics



Normalized Breakdown Voltage vs Temperature.

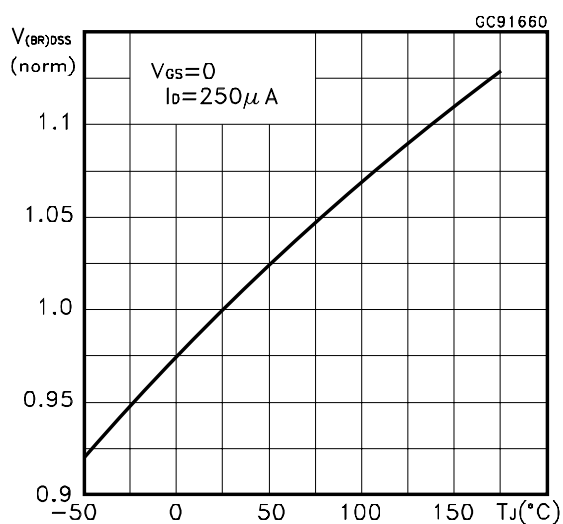


Fig. 1: Unclamped Inductive Load Test Circuit



Fig. 2: Unclamped Inductive Waveform

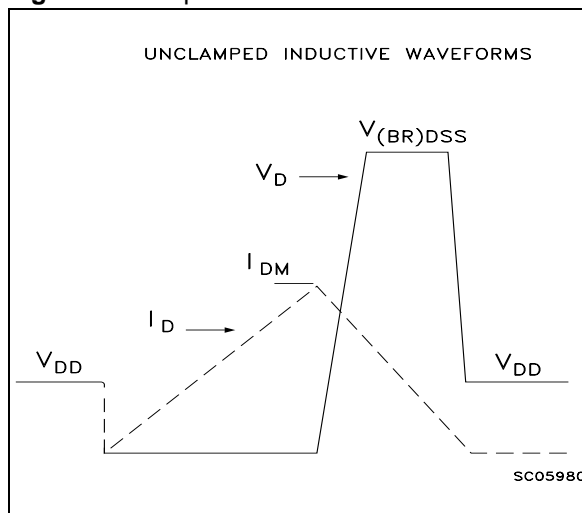


Fig. 3: Switching Times Test Circuits For Resistive Load



Fig. 4: Gate Charge test Circuit

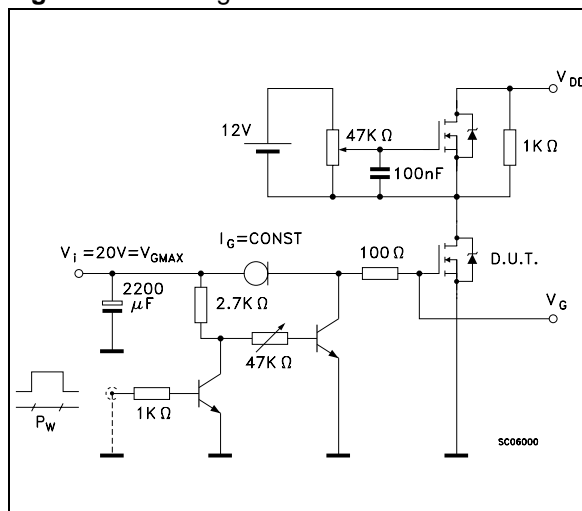
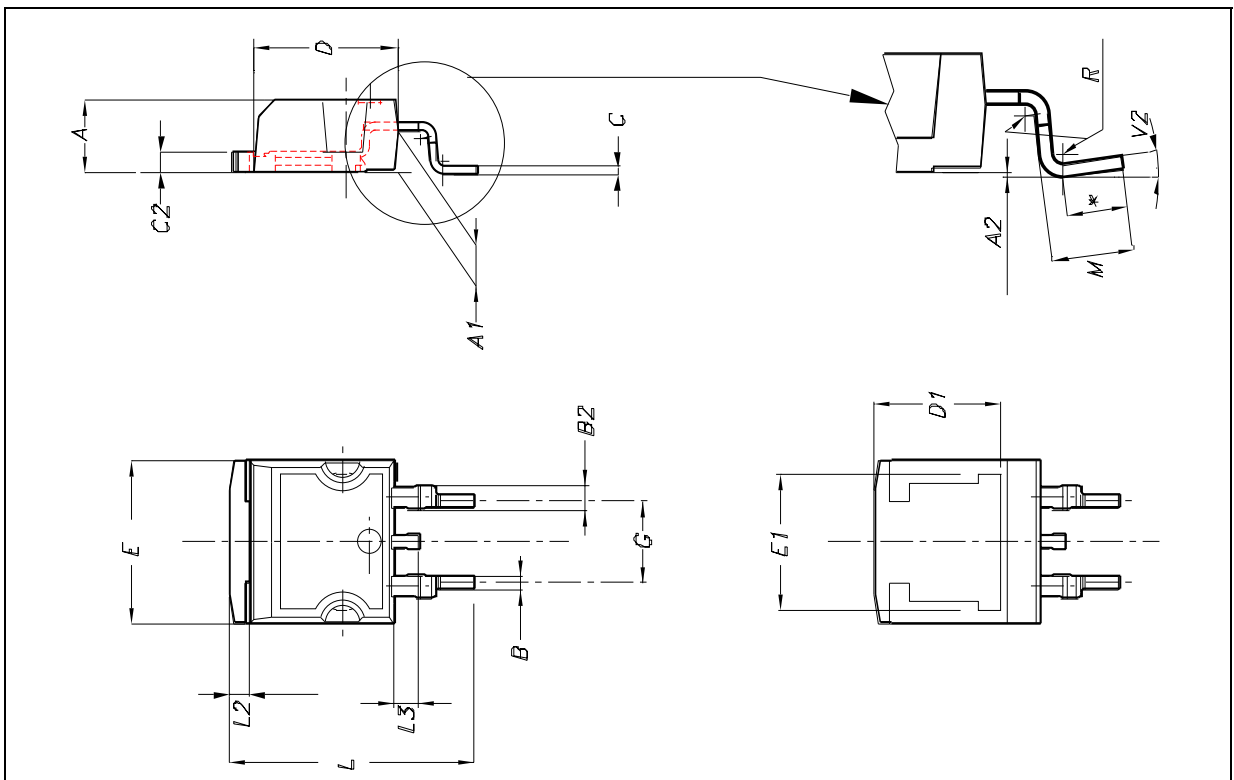


Fig. 5: Test Circuit For Inductive Load Switching And Diode Recovery Times



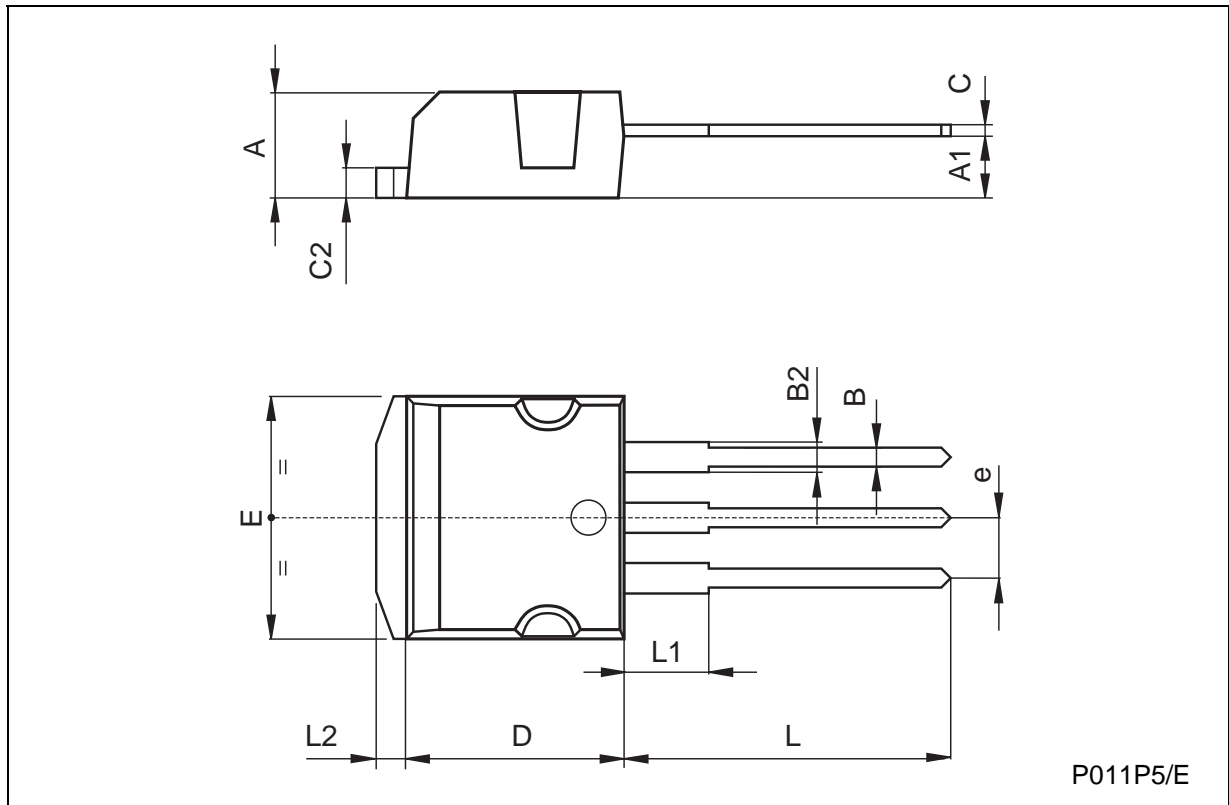
D²PAK MECHANICAL DATA

| DIM. | mm. | | | inch. | | |
|------|------|------|-------|-------|-------|-------|
| | MIN. | TYP. | MAX. | MIN. | TYP. | TYP. |
| A | 4.4 | | 4.6 | 0.173 | | 0.181 |
| A1 | 2.49 | | 2.69 | 0.098 | | 0.106 |
| A2 | 0.03 | | 0.23 | 0.001 | | 0.009 |
| B | 0.7 | | 0.93 | 0.028 | | 0.037 |
| B2 | 1.14 | | 1.7 | 0.045 | | 0.067 |
| C | 0.45 | | 0.6 | 0.018 | | 0.024 |
| C2 | 1.21 | | 1.36 | 0.048 | | 0.054 |
| D | 8.95 | | 9.35 | 0.352 | | 0.368 |
| D1 | | 8 | | | 0.315 | |
| E | 10 | | 10.4 | 0.394 | | 0.409 |
| E1 | | 8.5 | | | 0.334 | |
| G | 4.88 | | 5.28 | 0.192 | | 0.208 |
| L | 15 | | 15.85 | 0.591 | | 0.624 |
| L2 | 1.27 | | 1.4 | 0.050 | | 0.055 |
| L3 | 1.4 | | 1.75 | 0.055 | | 0.069 |
| M | 2.4 | | 3.2 | 0.094 | | 0.126 |
| R | | 0.4 | | | 0.015 | |
| V2 | 0° | | 8° | 0° | | 8° |



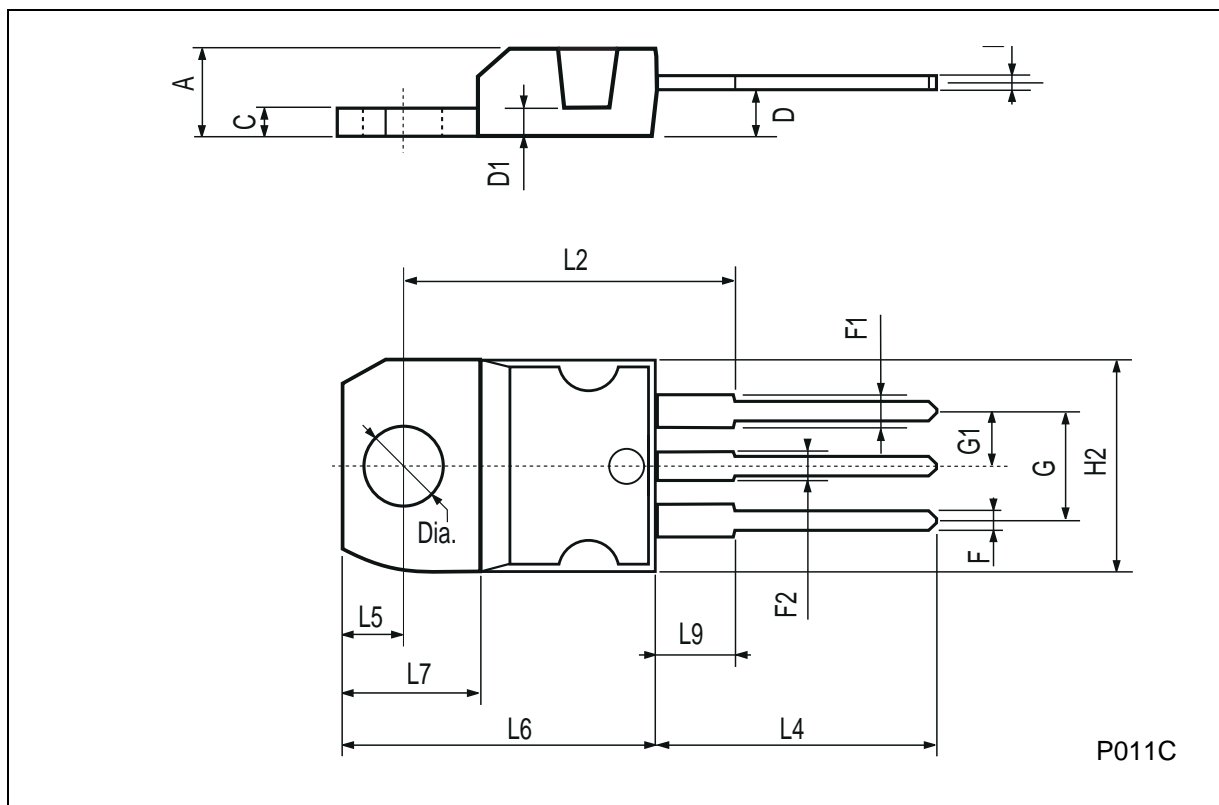
TO-262 (I²PAK) MECHANICAL DATA

| DIM. | mm | | | inch | | |
|------|------|------|------|-------|------|-------|
| | MIN. | TYP. | MAX. | MIN. | TYP. | MAX. |
| A | 4.4 | | 4.6 | 0.173 | | 0.181 |
| A1 | 2.49 | | 2.69 | 0.098 | | 0.106 |
| B | 0.7 | | 0.93 | 0.027 | | 0.036 |
| B2 | 1.14 | | 1.7 | 0.044 | | 0.067 |
| C | 0.45 | | 0.6 | 0.017 | | 0.023 |
| C2 | 1.23 | | 1.36 | 0.048 | | 0.053 |
| D | 8.95 | | 9.35 | 0.352 | | 0.368 |
| e | 2.4 | | 2.7 | 0.094 | | 0.106 |
| E | 10 | | 10.4 | 0.393 | | 0.409 |
| L | 13.1 | | 13.6 | 0.515 | | 0.531 |
| L1 | 3.48 | | 3.78 | 0.137 | | 0.149 |
| L2 | 1.27 | | 1.4 | 0.050 | | 0.055 |

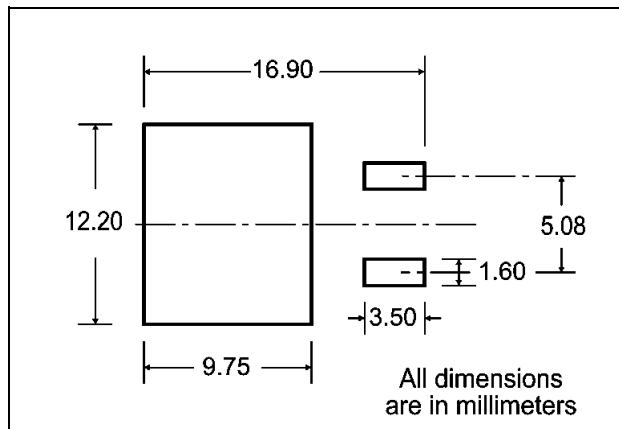


TO-220 MECHANICAL DATA

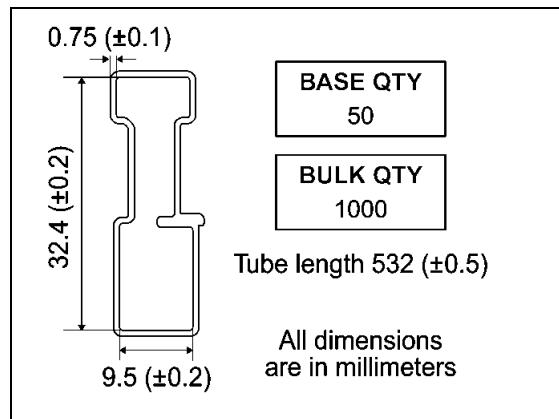
| DIM. | mm | | | inch | | |
|------|-------|------|-------|-------|-------|-------|
| | MIN. | TYP. | MAX. | MIN. | TYP. | MAX. |
| A | 4.40 | | 4.60 | 0.173 | | 0.181 |
| C | 1.23 | | 1.32 | 0.048 | | 0.051 |
| D | 2.40 | | 2.72 | 0.094 | | 0.107 |
| D1 | | 1.27 | | | 0.050 | |
| E | 0.49 | | 0.70 | 0.019 | | 0.027 |
| F | 0.61 | | 0.88 | 0.024 | | 0.034 |
| F1 | 1.14 | | 1.70 | 0.044 | | 0.067 |
| F2 | 1.14 | | 1.70 | 0.044 | | 0.067 |
| G | 4.95 | | 5.15 | 0.194 | | 0.203 |
| G1 | 2.4 | | 2.7 | 0.094 | | 0.106 |
| H2 | 10.0 | | 10.40 | 0.393 | | 0.409 |
| L2 | | 16.4 | | | 0.645 | |
| L4 | 13.0 | | 14.0 | 0.511 | | 0.551 |
| L5 | 2.65 | | 2.95 | 0.104 | | 0.116 |
| L6 | 15.25 | | 15.75 | 0.600 | | 0.620 |
| L7 | 6.2 | | 6.6 | 0.244 | | 0.260 |
| L9 | 3.5 | | 3.93 | 0.137 | | 0.154 |
| DIA. | 3.75 | | 3.85 | 0.147 | | 0.151 |



D2PAK FOOTPRINT



TUBE SHIPMENT (no suffix)*



TAPE AND REEL SHIPMENT (suffix "T4")*

40 mm min. Access hole at slot location

Full radius

Tape slot in core for tape start 2.5mm min. width

G measured at hub

REEL MECHANICAL DATA

| DIM. | mm | | inch | |
|------|------|------|-------|--------|
| | MIN. | MAX. | MIN. | MAX. |
| A | | 330 | | 12.992 |
| B | 1.5 | | 0.059 | |
| C | 12.8 | 13.2 | 0.504 | 0.520 |
| D | 20.2 | | 0.795 | |
| G | 24.4 | 26.4 | 0.960 | 1.039 |
| N | 100 | | 3.937 | |
| T | | 30.4 | | 1.197 |

| | |
|-----------------|------|
| BASE QTY | 1000 |
| BULK QTY | 1000 |

TAPE MECHANICAL DATA

| DIM. | mm | | inch | |
|------|------|------|--------|--------|
| | MIN. | MAX. | MIN. | MAX. |
| A0 | 10.5 | 10.7 | 0.413 | 0.421 |
| B0 | 15.7 | 15.9 | 0.618 | 0.626 |
| D | 1.5 | 1.6 | 0.059 | 0.063 |
| D1 | 1.59 | 1.61 | 0.062 | 0.063 |
| E | 1.65 | 1.85 | 0.065 | 0.073 |
| F | 11.4 | 11.6 | 0.449 | 0.456 |
| K0 | 4.8 | 5.0 | 0.189 | 0.197 |
| P0 | 3.9 | 4.1 | 0.153 | 0.161 |
| P1 | 11.9 | 12.1 | 0.468 | 0.476 |
| P2 | 1.9 | 2.1 | 0.075 | 0.082 |
| R | 50 | | 1.574 | |
| T | 0.25 | 0.35 | 0.0098 | 0.0137 |
| W | 23.7 | 24.3 | 0.933 | 0.956 |

10 pitches cumulative tolerance on tape +/- 0.2 mm

Center line of cavity

User Direction of Feed

FEED DIRECTION

Bending radius R min.

* on sales type

Information furnished is believed to be accurate and reliable. However, STMicroelectronics assumes no responsibility for the consequences of use of such information nor for any infringement of patents or other rights of third parties which may result from its use. No license is granted by implication or otherwise under any patent or patent rights of STMicroelectronics. Specifications mentioned in this publication are subject to change without notice. This publication supersedes and replaces all information previously supplied. STMicroelectronics products are not authorized for use as critical components in life support devices or systems without express written approval of STMicroelectronics.

The ST logo is registered trademark of STMicroelectronics
© 2002 STMicroelectronics - All Rights Reserved

All other names are the property of their respective owners.

STMicroelectronics GROUP OF COMPANIES

Australia - Brazil - Canada - China - Finland - France - Germany - Hong Kong - India - Israel - Italy - Japan - Malaysia - Malta - Morocco -
Singapore - Spain - Sweden - Switzerland - United Kingdom - United States.

<http://www.st.com>