

HT95168 Caller ID Telephone IC

Introduction

The HT95168 is a high performance and low cost IC specifically designed for Caller ID telephone applications. The device contains FSK/DTMF receiver, tone/pulse dialer, LCD driver, ringer, real time clock and many more essential features. Besides, it has simple and cost-effective external components which are suitable for high volume production.

Features

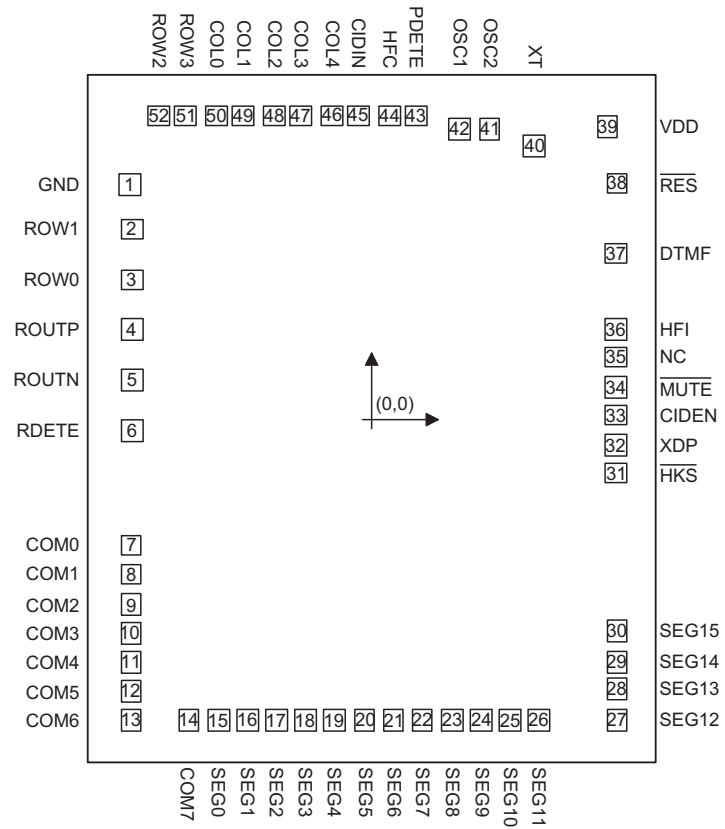
- Operating voltage: 2.4V~5.5V
- DTMF/FSK dual Caller ID standard
- Stores a maximum of 27 incoming calls (date, time, number)
- Stores a maximum of 8 outgoing calls (dialing time, number)
- RTC Indicator (month-day-hour-minute-second)
- Tone/Pulse dialing
- 1~99 hours setting for mute function
- 8-digit area & long distance code screen setting
- Unauthorized-dialing protection
- Four-stage ring sound/speech volume adjustment
- Four-stage LCD brightness adjustment
- Fixed IP number dialing out (defined by hardware option)
- Caller ID records, check/delete/call-back
- Previous edit and immediately dial out
- Hand-free/redial/pause/flash/Add '0' call back/R key functions
- Provides chip and package forms

Pin Assignment

COL3	□	1	56	□	COL4
COL2	□	2	55	□	CIDIN
COL1	□	3	54	□	HFC
COL0	□	4	53	□	PDETE
ROW3	□	5	52	□	OSC1
ROW2	□	6	51	□	OSC2
GND	□	7	50	□	XT
ROW1	□	8	49	□	NC
ROW0	□	9	48	□	VDD
ROUTP	□	10	47	□	$\overline{\text{RES}}$
ROUTN	□	11	46	□	DTMF
RDETE	□	12	45	□	NC
COM0	□	13	44	□	NC
COM1	□	14	43	□	HFI
COM2	□	15	42	□	NC
COM3	□	16	41	□	$\overline{\text{MUTE}}$
COM4	□	17	40	□	CIDEN
COM5	□	18	39	□	XDP
COM6	□	19	38	□	HKS
COM7	□	20	37	□	NC
SEG0	□	21	36	□	SEG15
SEG1	□	22	35	□	SEG14
SEG2	□	23	34	□	SEG13
SEG3	□	24	33	□	SEG12
SEG4	□	25	32	□	SEG11
SEG5	□	26	31	□	SEG10
SEG6	□	27	30	□	SEG9
SEG7	□	28	29	□	SEG8

HT95168
- 56 SSOP-A

Pad Assignment



* The IC substrate should be connected to VSS in the PCB layout artwork.

Pad Description

Pad No.	Pad Name	I/O	Configuration Option	Description
1	GND	—	—	Power ground
2, 3	ROW1, ROW0	I	Pull-high Resistor Input	Key matrix row lines
4	ROUTP	I/O	Positive	Ring sound output, volume control
5	ROUTN	I/O	Negative	Ring sound output, volume control
6	RDETE	I	—	On-hook ring detector, off-hook lock '0' detection
7~14	COM0~COM7	O	—	LCD common pins
15~30	SEG0~SEG15	O	—	LCD segment pins
31	HKS	I	Low Active	Hook detection
32	XDP	O	High Active	Off-hook control
33	CIDEN	O	—	Initial state is low
34	MUTE	O	Low Active	Mute function
35	NC	—	—	No connection
36	HFI	I	Rising Edge Trigger	Hand-free trigger input
37	DTMF	O	—	DTMF generator output
38	RES	I	Low Active	Reset pin
39	VDD	—	—	Power VDD
40	XT	—	—	Loop filter pin
41	OSC2	O	—	32768kHz crystal output
42	OSC1	I	—	32768kHz crystal input
43	PDETE	I	—	Unauthorized-dialing detection
44	HFC	O	Rising Edge Trigger	Hand-free control pin
45	CIDIN	I	—	Caller ID signal input
46~50	COL4~COL0	O	—	Key matrix column lines
51, 52	ROW3, ROW2	I	Pull-high Resistor Input	Key matrix row lines

Key Matrix Description

	COL4 (46)	COL3 (47)	COL2 (48)	COL1 (49)	COL0 (50)
ROW3 (51)	1	2	3	Up	Pause
ROW2 (52)	4	5	6	Down	Set
ROW1 (2)	7	8	9	Delete	R Key
ROW0 (3)	*	0	#	Check	Add '0' Call back
GND	Call back/Redial	Flash/ADJ	Volume	IP	Hand-free

Functional Description

Ring Sound/Speech Volume Control

- At On-hook state, press the [Volume] key to adjust the ring sound and each key for changes in the sound volume from loud, medium, low to soft.
- At Off-hook state, press the [Volume] key to adjust the speech volume and each key for changes in the volume from loud, medium, low to soft.

Note The initial setting for ring sound/speech volume is loud.

LCD Brightness Adjustment

At On-hook state, press the [Flash/ADJ] key to adjust the LCD brightness and each key for changes in the state from dim, slightly bright, average to bright.

Note The initial setting for LCD brightness is slightly bright.

Time Setting

- At On-hook state, press the [Set] key for 2 seconds, the LCD then shows the [Month-Day-Hour-Min-Sec], first the (Month) remains in a flashing state and waiting for adjustments, then press the [Up] or [Down] key to increase or decrease the month from 1 to 12.
- Press the [Set] key again, the (Day) remains in a flashing state and waiting for adjustments, then press the [Up] or [Down] key to increase or decrease the day from 1 to 31.
- Press the [Set] key again, the (Hour) remains in a flashing state and waiting for adjustments, then press the [Up] or [Down] key to increase or decrease the hour from 0 to 23.
- Press the [Set] key again, the (Min) remains in a flashing state and waiting for adjustments, then press the [Up] or [Down] key to increase or decrease the minute from 0 to 59 and the second will be set to zero at the same time.

Note The initial time setting is [01-01 00-00-00].

Tone/Pulse Mode Setting

The HT95168 provides two kinds of dialing modes, tone mode and pulse mode. At On-hook state, press the [*] key for 2 seconds to select the dialing mode.

- Tone Mode

Key Name	DTMF Output Frequency (Hz)		%Error
	Specified	Actual	
ROW3	697	698.8	+0.2%
ROW2	770	766.4	-0.5%
ROW1	852	847	-0.5%
ROW0	941	947.8	+0.6%
COL4	1209	1214.4	+0.4%
COL3	1336	1331	-0.3%
COL2	1477	1470	-0.4%

- Pulse Mode: Pulse rate: 10pps, M/B ratio: 40:60, Pulse to Tone duration: 3.6 seconds

Note The initial dialing mode setting is tone mode.

Previous Edit and Immediately Dial Out

The HT95168 provides previous edit for dialing convenience and the maximum edit length is 32-digit, once off-hook or hand-free the edited number will be dialed out immediately. Besides, pressing the [Call back/Redial] key or the [Add '0' Call back] key can also be dialed out directly.

Unauthorized-dialing Protection Setting

The meaning of [Unauthorized-dialing] is that the telephone line was illegally shunted by another phone and making the line dial out.

- When the protection function is enabled, the HT95168 generates an interference signal to protect the line from being illegally used.
- At On-hook state, press the [#] key for 2 seconds, then turn on the LCD [Protection] icon to enable the protection function.
- Pressing again the [#] key for 2 seconds, turn off the icon to disable the function.

Note The initial setting of this function is disabled.
To ensure that this function works normally for long distance conditions, fill-in or re-charge the battery.

Mute Function

Sometimes we need quiet and don't want to hear the ring sound at some situations such as during sleeping, meeting or resting.

- The HT95168 provides the [Mute] function to stop the ring sound at a certain desired period.
- At On-hook state, press the [*], [2], [*], [four-digit number], [#] to set the ring sound mute period.
- [Four-digit number] expresses 2-digit hour with 2-digit minute, the setting range is from 99 hours with 99 minutes to 0 hour with 1 minute.
- After setting, if the timer counts down to zero, the ring sound function is enabled.

Note It can receive Caller ID data normally during mute period. The initial setting of this function is disabled.

Area & Long Distance Code Screen Setting

At On hook state, press the [*], [3], [*], [1~8 digits number], [#] to set the local area code or long distance code to store the caller ID phone number.

- For example, when pressing the [*] [3] [*] [0755] [#], if there's an incoming call with a number 075527089253, then it will automatically screen the 0755 phone number prefix and it only stores the 27089253.
- Press the [*], [3], [*], [#] to disable the screen function and the LCD shows [Loc off].

Dual System Caller ID Setting

- When you plug the phone line into RJ11 jack to power-on reset the telephone, once a first caller ID incoming call occurs, the HT95168 can automatically fix the caller ID receiving format whether FSK or DTMF standard.
- You can alternately change the caller ID receiving format by pressing the [*] [*] [#] input.
- Each incoming call can be stored with a maximum of 14-digit phone number including one of the digits with automatically added '0' when the phone number length is more than 9-digit, except for area code set to screen '0' and mobile phone number with '13' prefix.

Incoming Call Check and Call Back

The HT95168 stores 27-set incoming calls and each call with 8-digit length or 21-set with 12-digit or 19-set with 14-digit length.

- When the [Up] key is pressed, the LCD shows the [Incoming] icon and incoming call records through last in first out, LIFO rule from latest record to earliest record until the end pointer. Each incoming call is divided into two records, first is [Pointer-Date-Time], last is [Incoming phone number which has a maximum of 14-digit].
- Oppositely, when the [Down] key is pressed, it shows first is [Incoming phone number], last is [Pointer-Date-Time] through LIFO rule from the earliest record to the latest record until the end pointer.
- Each incoming call record can be erased by pressing the [Delete] key.
- Each incoming call record can be dialed out by pressing the [Call back/Redial] key or the [Add '0' Call back] key.

Outgoing Call Check and Call Back

The HT95168 stores 8-set outgoing calls and each call with 14-digit maximum length.

- When the [Check] key is pressed, the LCD shows the [Outgoing] icon and outgoing call records through LIFO rule from the latest record to the earliest record until the end pointer. Each outgoing call is divided into two records, first is [Pointer-dialing time], last is [outgoing phone number which has a maximum of 14 digits].
- Each outgoing call record can be erased by pressing the [Delete] key.
- Each outgoing call record can be dialed out by pressing the [Call back/Redial] key or the [Add '0' Call back] key.

Redial

The Redial memory stores the latest phone called and the maximum digits are 32. When you press the [Redial] key at off-hook state then the latest number will be dialed out immediately.

Add '0' Call Back

For convenience on having long distance calls, when you press the [Add '0' call back] key , it will automatically dial out and add '0' prefix number before the phone numbers which are incoming call or outgoing call or previous edit call.

Flash

When the [Flash] key is pressed, it will generate a 600ms break time.

R Key

When the [R] key is pressed, it will generate a 95ms break time.

Pause Key

When the [Pause] key is pressed, it will generate a 3.6 sec stop timing during Tone/Pulse dialing.

Long Distance Call Lock Function

When PDETE (Pad 43) is high at off-hook state, all the '0' prefixed phone numbers are inhibited to be dialed out including recently dialed, previously dialed, incoming call call-back, outgoing call call-back and add '0' call back, which means that long distance call function is locked.

Hand-free

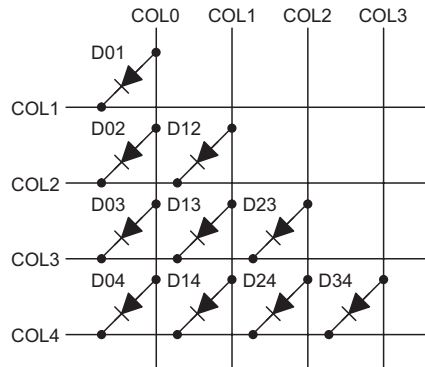
The HT95168 provides hand-free function for talking convenience, which replaced the earpiece with a speaker phone.

Fixed IP Number Dialing Out Setting

The [IP] is abbreviation of Internet Phone, which is serviced by ISP vendors. The ISP vendors provide customers with different specific prefix phone number (namely IP number) to dial the international call or long distance call from PSTN through their dedicated Internet to PSTN for the purpose of reducing long distance cost.

For dialing out convenience, the HT95168 provides 11-set popular IP numbers defined by hardware as shown below in the diode connection figure. By means of diode connection placement between COL0~COL3 and COL1~COL4, it can define 11 kinds of IP numbers as shown in the table below.

Dnm	—	D01	D02	D12	D03	D13	D23	D04	D14	D24	D34
IP No.	17909	17920	17931	17930	17921	17951	17950	17908	17911	17910	193

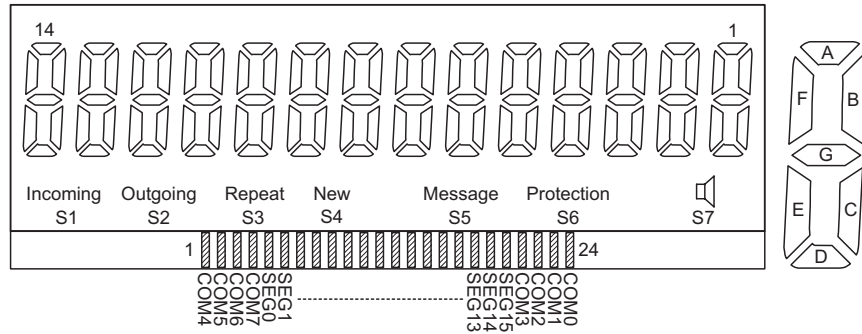


- At On-hook state, press the [IP on/off] key for 2 seconds, then the LCD shows [IP on] and enable the fixed IP dialing out function. Oppositely, pressing again the [IP on/off] key for 2 seconds, the LCD shows [IP off] and disable this function.
- When the IP function is enabled, all long distance phone number prefixed with "0" are automatically dialed out with a specific IP number before the original phone numbers.
- For example 1, if no diode connects to Columns and IP function is enabled, checking an incoming call [02152204293] then call back this number. What is the number dialed out? The correct answer is [1790902152204293].
- For example 2, if the diode is crossed to COL1 and COL3 namely D13 and IP function is enabled, checking an outgoing call 07522829029 then call back this number. What is the number dialed out? The correct answer is 1795107522829029.

Note The initial setting is IP off.

LCD Panel Configuration

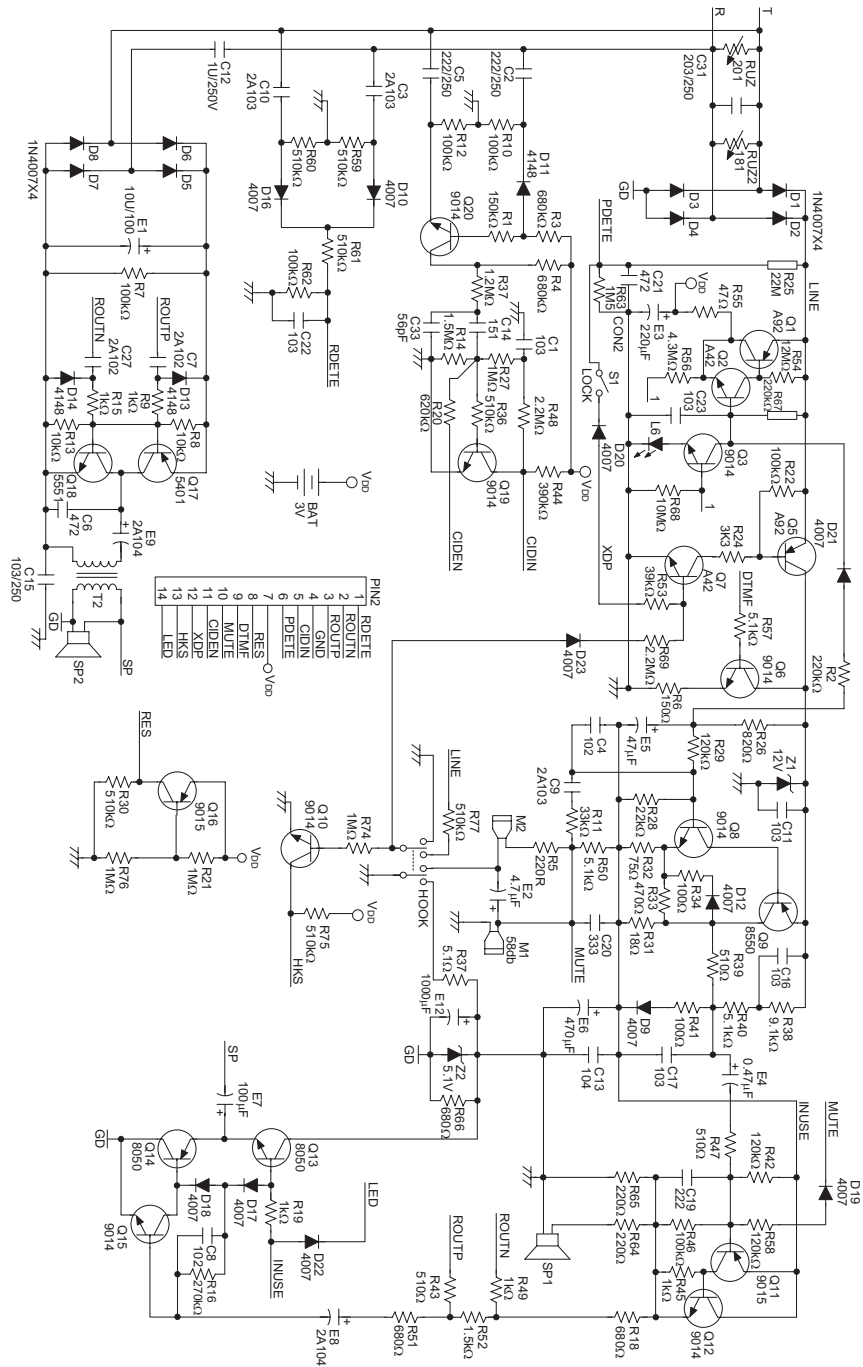
The advantages of the LCD panel shown below are bigger display and having a simple-clear feeling.

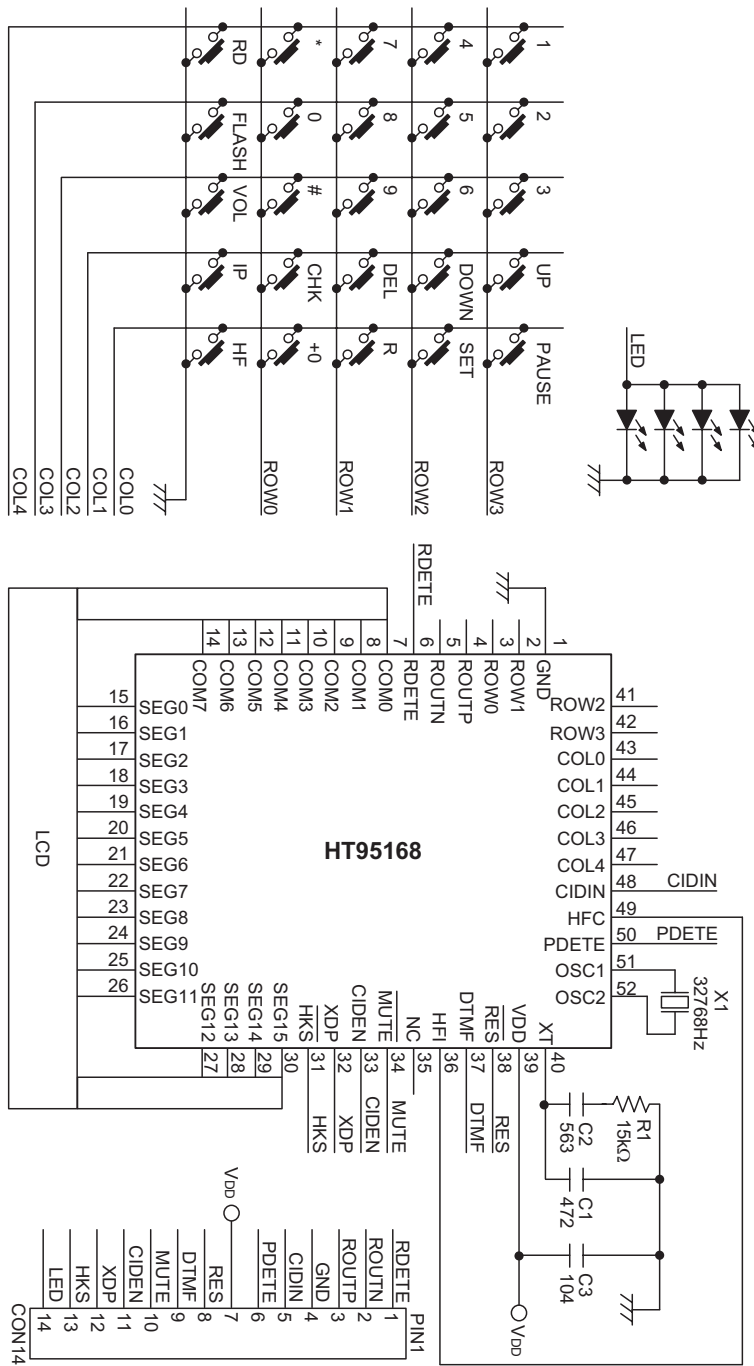


PIN	1	2	3	4	5	6	7	8	9	10	11	12	13	14	15	16	17	18	19	20	21	22	23	24
COM0							2A	2F	3A	3F	7F	7A	6F	6A	5F	5A	4F	4A	1F	1A				COM0
COM1							2B	2G	3B	3G	7G	7B	6G	6B	5G	5B	4G	4B	1G	1B			COM1	
COM2							2C	2E	3C	3E	7E	7C	6E	6C	5E	5C	4E	4C	1E	1C			COM2	
COM3									2D	S6	3D	7D		6D		5D	S5	4D		1D	S7	COM3		
COM4	COM4						14F	14A	13F	13A	12F	12A	8A	8F	9A	9F	10A	10F	11A	11F				
COM5		COM5					14G	14B	13G	13B	12G	12B	8B	8G	9B	9G	10B	10G	11B	11G				
COM6			COM6				14E	14C	13E	13C	12E	12C	8C	8E	9C	9E	10C	10E	11C	11E				
COM7				COM7			14D	S1	13D	S2	12D			8D	S4	9D	S3	10D		11D				

Note The recommended optimal operating voltage for the LCD panel is 0.93VDD and choose 3V/4.5V LCD panel to fit 2-pcs or 3-pcs battery where VDD is 3.2V/4.8V.

Application Circuits





Holtek Semiconductor Inc. (Headquarters)

No.3, Creation Rd. II, Science Park, Hsinchu, Taiwan
Tel: 886-3-563-1999
Fax: 886-3-563-1189
<http://www.holtek.com.tw>

Holtek Semiconductor Inc. (Taipei Sales Office)

4F-2, No. 3-2, YuanQu St., Nankang Software Park, Taipei 115, Taiwan
Tel: 886-2-2655-7070
Fax: 886-2-2655-7373
Fax: 886-2-2655-7383 (International sales hotline)

Holtek Semiconductor Inc. (Shanghai Sales Office)

7th Floor, Building 2, No.889, Yi Shan Rd., Shanghai, China 200233
Tel: 021-6485-5560
Fax: 021-6485-0313
<http://www.holtek.com.cn>

Holtek Semiconductor Inc. (Shenzhen Sales Office)

43F, SEG Plaza, Shen Nan Zhong Road, Shenzhen, China 518031
Tel: 0755-8346-5589
Fax: 0755-8346-5590
ISDN: 0755-8346-5591

Holtek Semiconductor Inc. (Beijing Sales Office)

Suite 1721, Jinyu Tower, A129 West Xuan Wu Men Street, Xicheng District, Beijing, China 100031
Tel: 010-6641-0030, 6641-7751, 6641-7752
Fax: 010-6641-0125

Holmate Semiconductor, Inc. (North America Sales Office)

46712 Fremont Blvd., Fremont, CA 94538
Tel: 510-252-9880
Fax: 510-252-9885
<http://www.holmate.com>

Copyright © 2004 by HOLTEK SEMICONDUCTOR INC.

The information appearing in this Data Sheet is believed to be accurate at the time of publication. However, Holtek assumes no responsibility arising from the use of the specifications described. The applications mentioned herein are used solely for the purpose of illustration and Holtek makes no warranty or representation that such applications will be suitable without further modification, nor recommends the use of its products for application that may present a risk to human life due to malfunction or otherwise. Holtek's products are not authorized for use as critical components in life support devices or systems. Holtek reserves the right to alter its products without prior notification. For the most up-to-date information, please visit our web site at <http://www.holtek.com.tw>.