

Model No.: FR0433M92-TE11  
 433.92 MHz SAW Resonator

Rev. No.: 1

**A. Feature:**

1. One-port SAW Resonator

**B. Maximum Ratings:**

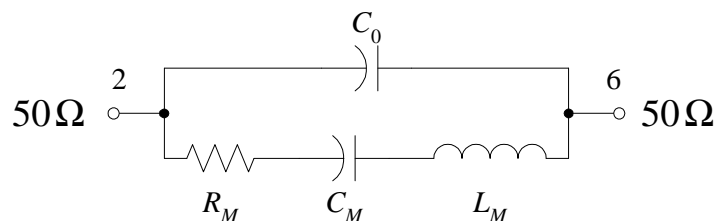
1. Input Power Level: 0dBm
2. DC Voltage: 12V
3. Storage Temperature: -40°C to +85°C
4. Operating Temperature Range: -40°C to +85°C

**C. Electrical Specifications:**

Ambient Temperature: 25°C

Item	Unit	Min.	Typ.	Max.
Center Frequency, $f_r$	MHz	433.845	433.92	433.995
Insertion Loss, IL	dB	-	1.2	2.0
Unloaded quality factor, $Q_U$		-	15000	-
Loaded quality factor, $Q_L$		-	2000	-
RF Equivalent RLC Model				
Motional Resistance, $R_M$	$\Omega$	-	13	-
Motional Capacitance, $C_M$	fF	-	72.440	-
Motional Inductance, $L_M$	$\mu\text{H}$	-	1.916	-
Shunt Static Capacitance, $C_0$	pF	-	2.690	-
Turnover Temperature, $T_0$	°C	-	30	-
Frequency Temperature Coefficient, $FTC$	ppm/k <sup>2</sup>	-	0.032	-

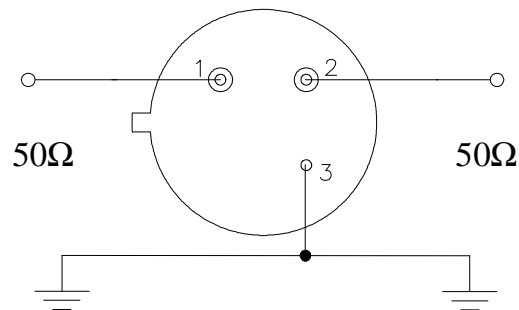
**D. RF Equivalent Model:**



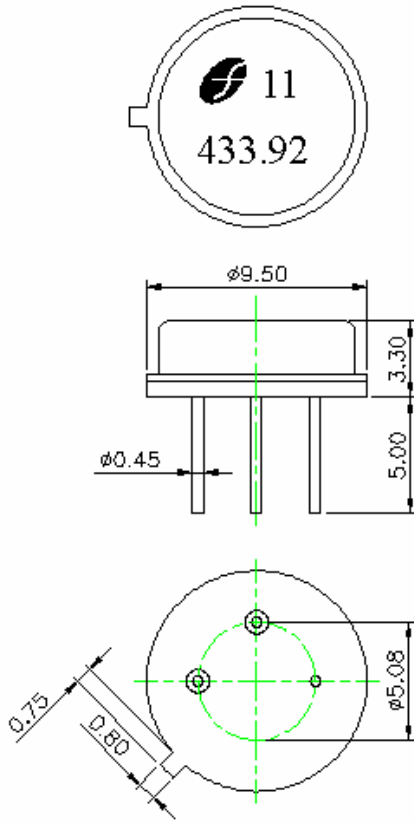
E. Characteristics:



F. Test Circuit:



G. Package and pin configuration:



(Unit: mm)  
Pin 1: Input  
Pin 2: Output  
Pin 3: Ground