

1:9 Differential ECL/PECL RAMBus Clock Buffer

The MC10E411 is a low skew 1-to-9 differential driver, designed with clock distribution in mind. The MC10E411's function and performance are similar to the popular MC10E111, with the added feature of 1.2V output swings. It accepts one signal input, which can be either differential or single-ended if the V_{BB} output is used. The signal is fanned out to 9 identical differential outputs.

- 200ps Part-to-Part Skew
- 50ps Output-to-Output Skew
- Differential Design
- V_{BB} Output
- Voltage Compensated Outputs
- V_{EE} Range of -4.5 to $-5.5V$
- $75k\Omega$ Input Pulldown Resistors

The output voltage swing of the E411 is larger than a standard ECL swing. The 1.2V output swings provide a signal which can be AC coupled into RAMBus compatible input loads. The larger output swings are produced by lowering the V_{OL} of the device. With the exception of the lower V_{OL} , the E411 is identical to the MC10E111. Note that the larger output swings eliminate the possibility of temperature compensated outputs, thus the E411 is only available in the 10E style of ECL. In addition, because the V_{OL} is lower than standard ECL, the outputs cannot be terminated to $-2.0V$. This datasheet provides a few termination alternatives.

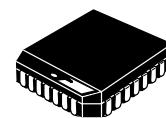
The E411 is specifically designed, modeled and produced with low skew as the key goal. Optimal design and layout serve to minimize gate to gate skew within a device, and empirical modeling is used to determine process control limits that ensure consistent t_{pd} distributions from lot to lot. The net result is a dependable, guaranteed low skew device.

To ensure that the tight skew specification is met it is necessary that both sides of the differential output are terminated, even if only one side is being used. In most applications, all nine differential pairs will be used and therefore terminated. In the case where fewer than nine pairs are used, it is necessary to terminate at least the output pairs on the same package side as the pair(s) being used on that side, in order to maintain minimum skew. Failure to do this will result in small degradations of propagation delay (on the order of 10–20ps) of the output(s) being used which, while not being catastrophic to most designs, will mean a loss of skew margin.

The MC10E411, as with most other ECL devices, can be operated from a positive V_{CC} supply in PECL mode. This allows the E411 to be used for high performance clock distribution in +5.0V systems. Designers can take advantage of the E411's performance to distribute low skew clocks across the backplane or the board. In a PECL environment, series or Thevenin line terminations are typically used as they require no additional power supplies. For more information on using PECL, designers should refer to Motorola Application Note AN1406/D.

MC10E411

**1:9 DIFFERENTIAL
ECL/PECL RAMBUS
CLOCK BUFFER**

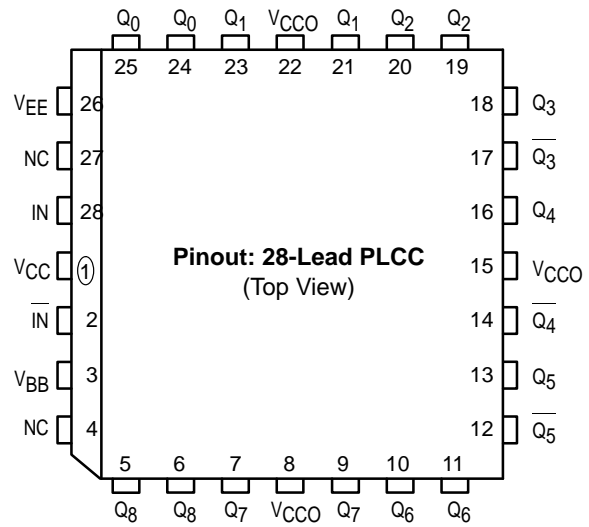


FN SUFFIX
PLASTIC PACKAGE
CASE 776-02

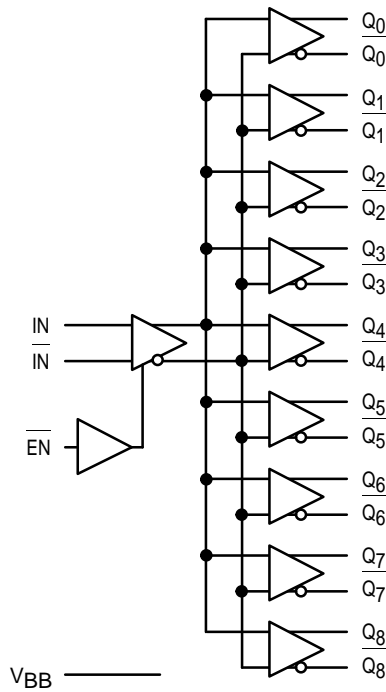


PIN NAMES

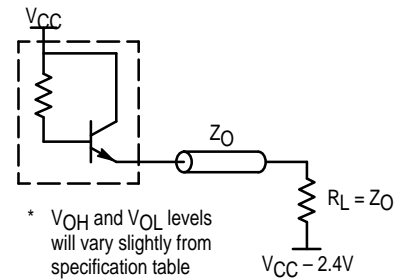
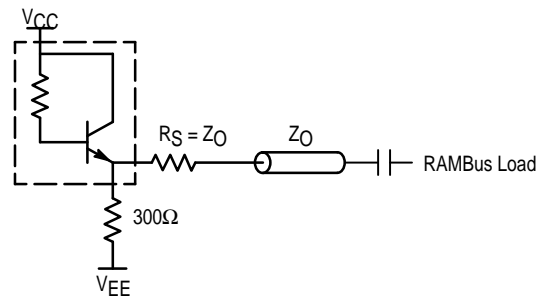
Pins	Function
IN, $\overline{\text{IN}}$	Differential Input Pair
Q ₀ , Q ₀ $\overline{\text{Q}}$, Q ₈ , Q ₈ $\overline{\text{Q}}$	Differential Outputs
V _{BB}	V _{BB} Output



LOGIC SYMBOL



TERMINATION ALTERNATIVES



ECL DC CHARACTERISTICS

Symbol	Characteristic	0°C			25°C			85°C			Unit
		Min	Typ	Max	Min	Typ	Max	Min	Typ	Max	
V _{OH}	Output HIGH Voltage ¹	-1.020		-0.840	-0.980	-0.890	-0.810	-0.910		-0.720	V
V _{OL}	Output LOW Voltage ¹	-2.420		-2.140	-2.380	-2.250	-2.110	-2.310		-2.020	V
V _{IH}	Input HIGH Voltage	-1.170		-0.840	-1.130		-0.810	-1.060		-0.720	V
V _{IL}	Input LOW Voltage	-1.950		-1.480	-1.950		-1.480	-1.950		-1.445	V
V _{BB}	Output Reference Voltage	-1.38		-1.27	-1.35		-1.25	-1.31		-1.19	V
V _{EE}	Power Supply Voltage	-4.5		-5.5	-4.5		-5.5	-4.5		-5.5	V
I _{IH}	Input HIGH Current			150			150			150	μA
I _{EE}	Power Supply Current		55	65		55	65		55	65	mA

1. Measured with 300Ω to V_{EE} output pulldown.

PECL DC CHARACTERISTICS

Symbol	Characteristic	0°C			25°C			85°C			Unit
		Min	Typ	Max	Min	Typ	Max	Min	Typ	Max	
V _{OH}	Output HIGH Voltage ^{1,2}	3.98		4.16	4.02	4.11	4.19	4.09		4.28	V
V _{OL}	Output LOW Voltage ^{1,2}	2.58		2.86	2.62	2.75	2.89	2.69		2.98	V
V _{IH}	Input HIGH Voltage ¹	3.83		4.16	3.87		4.19	3.94		4.28	V
V _{IL}	Input LOW Voltage ¹	3.05		3.52	3.05		3.52	3.05		3.56	V
V _{BB}	Output Reference Voltage ¹	3.62		3.73	3.65		3.75	3.69		3.81	V
V _{CC}	Power Supply Voltage	4.5		5.5	4.5		5.5	4.5		5.5	V
I _{IH}	Input HIGH Current			150			150			150	μA
I _{EE}	Power Supply Current		55	65		55	65		55	65	mA

1. These values are for V_{CC} = 5.0V. Level Specifications will vary 1:1 with V_{CC}.

2. Measured with 300Ω to V_{EE} output pulldown.

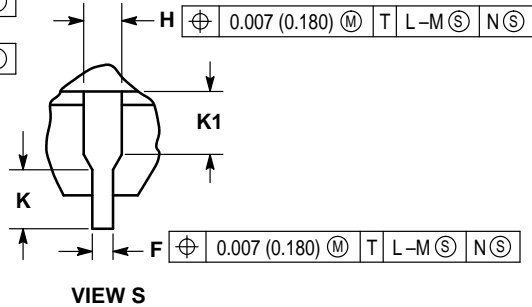
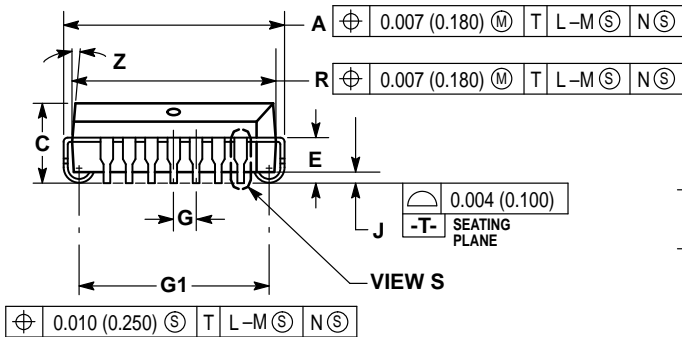
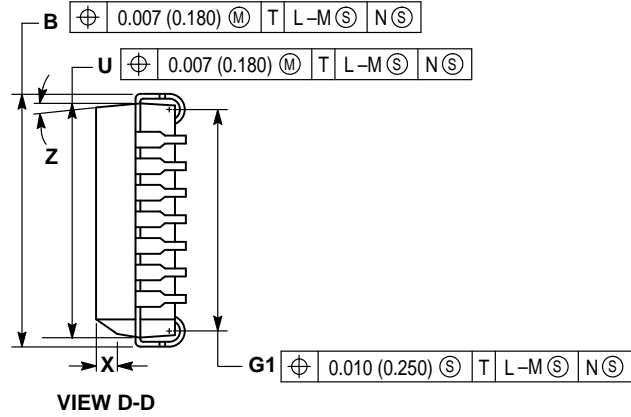
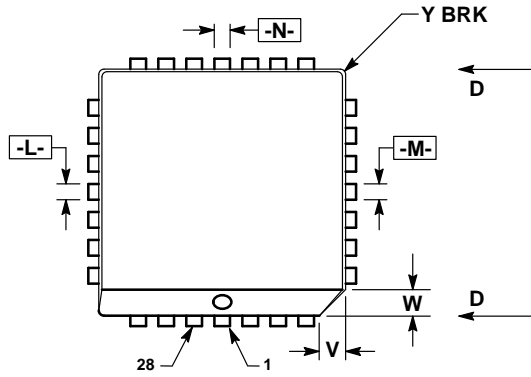
AC CHARACTERISTICS ($V_{EE} = V_{EE}(\text{min})$ to $V_{EE}(\text{max})$; $V_{CC} = V_{CCO} = \text{GND}$)

Symbol	Characteristic	0°C			25°C			85°C			Unit	Condition
		Min	Typ	Max	Min	Typ	Max	Min	Typ	Max		
t_{PLH} t_{PHL}	Propagation Delay to Output IN (differential) IN (single-ended) EN to Q	400 350 450		600 650 850	430 380 450		630 680 850	500 450 450		700 750 850	ps	Note 1. Note 2.
t_s	Setup Time EN to IN	200	0		200	0		200	0		ps	Note 3.
t_H	Hold Time IN to EN	0	-200		0	-200		0	-200		ps	Note 4.
t_R	Release Time EN to IN	300	100		300	100		300	100		ps	Note 5.
t_{skew}	Within-Device Skew Part-to-Part Skew (Diff)			50 200			50 200			50 200	ps	Note 6.
V_{PP}	Minimum Input Swing	250			250			250			mV	Note 7.
V_{CMR}	Common Mode Range	-1.6		-0.4	-1.6		-0.4	-1.6		-0.4	V	Note 8.
t_r/t_f	Output Rise/Fall Time	275		600	275		600	275		600	ps	20%–80%

1. The differential propagation delay is defined as the delay from the crossing points of the differential input signals to the crossing point of the differential output signals.
2. The single-ended propagation delay is defined as the delay from the 50% point of the input signal to the 50% point of the output signal.
3. The setup time is the minimum time that EN must be asserted prior to the next transition of IN/IN to prevent an output response greater than ± 75 mV to that IN/IN transition (see Figure 1).
4. The hold time is the minimum time that EN must remain asserted after a negative going IN or a positive going IN to prevent an output response greater than ± 75 mV to that IN/IN transition (see Figure 2).
5. The release time is the minimum time that EN must be deasserted prior to the next IN/IN transition to ensure an output response that meets the specified IN to Q propagation delay and output transition times (see Figure 3).
6. The within-device skew is defined as the worst case difference between any two similar delay paths within a single device.
7. $V_{PP}(\text{min})$ is defined as the minimum input differential voltage which will cause no increase in the propagation delay. The $V_{PP}(\text{min})$ is AC limited for the E411 as a differential input as low as 50 mV will still produce full ECL levels at the output.
8. V_{CMR} is defined as the range within which the V_{IH} level may vary, with the device still meeting the propagation delay specification. The V_{IL} level must be such that the peak to peak voltage is less than 1.0 V and greater than or equal to $V_{PP}(\text{min})$.

OUTLINE DIMENSIONS


FN SUFFIX
 PLASTIC PLCC PACKAGE
 CASE 776-02
 ISSUE D



NOTES:

- DATUMS -L-, -M-, AND -N- DETERMINED WHERE TOP OF LEAD SHOULDER EXITS PLASTIC BODY AT MOLD PARTING LINE.
- DIM G1, TRUE POSITION TO BE MEASURED AT DATUM -T-, SEATING PLANE.
- DIM R AND U DO NOT INCLUDE MOLD FLASH. ALLOWABLE MOLD FLASH IS 0.010 (0.250) PER SIDE.
- DIMENSIONING AND TOLERANCING PER ANSI Y14.5M, 1982.
- CONTROLLING DIMENSION: INCH.
- THE PACKAGE TOP MAY BE SMALLER THAN THE PACKAGE BOTTOM BY UP TO 0.012 (0.300). DIMENSIONS R AND U ARE DETERMINED AT THE OUTERMOST EXTREMES OF THE PLASTIC BODY EXCLUSIVE OF MOLD FLASH, TIE BAR BURRS, GATE BURRS AND INTERLEAD FLASH, BUT INCLUDING ANY MISMATCH BETWEEN THE TOP AND BOTTOM OF THE PLASTIC BODY.
- DIMENSION H DOES NOT INCLUDE DAMBAR PROTRUSION OR INTRUSION. THE DAMBAR PROTRUSION(S) SHALL NOT CAUSE THE H DIMENSION TO BE GREATER THAN 0.037 (0.940). THE DAMBAR INTRUSION(S) SHALL NOT CAUSE THE H DIMENSION TO BE SMALLER THAN 0.025 (0.635).

DIM	INCHES		MILLIMETERS	
	MIN	MAX	MIN	MAX
A	0.485	0.495	12.32	12.57
B	0.485	0.495	12.32	12.57
C	0.165	0.180	4.20	4.57
E	0.090	0.110	2.29	2.79
F	0.013	0.019	0.33	0.48
G	0.050 BSC		1.27 BSC	
H	0.026	0.032	0.66	0.81
J	0.020	—	0.51	—
K	0.025	—	0.64	—
R	0.450	0.456	11.43	11.58
U	0.450	0.456	11.43	11.58
V	0.042	0.048	1.07	1.21
W	0.042	0.048	1.07	1.21
X	0.042	0.056	1.07	1.42
Y	—	0.020	—	0.50
Z	2°		10°	
G1	0.410	0.430	10.42	10.92
K1	0.040	—	1.02	—

Motorola reserves the right to make changes without further notice to any products herein. Motorola makes no warranty, representation or guarantee regarding the suitability of its products for any particular purpose, nor does Motorola assume any liability arising out of the application or use of any product or circuit, and specifically disclaims any and all liability, including without limitation consequential or incidental damages. "Typical" parameters which may be provided in Motorola data sheets and/or specifications can and do vary in different applications and actual performance may vary over time. All operating parameters, including "Typicals" must be validated for each customer application by customer's technical experts. Motorola does not convey any license under its patent rights nor the rights of others. Motorola products are not designed, intended, or authorized for use as components in systems intended for surgical implant into the body, or other applications intended to support or sustain life, or for any other application in which the failure of the Motorola product could create a situation where personal injury or death may occur. Should Buyer purchase or use Motorola products for any such unintended or unauthorized application, Buyer shall indemnify and hold Motorola and its officers, employees, subsidiaries, affiliates, and distributors harmless against all claims, costs, damages, and expenses, and reasonable attorney fees arising out of, directly or indirectly, any claim of personal injury or death associated with such unintended or unauthorized use, even if such claim alleges that Motorola was negligent regarding the design or manufacture of the part. Motorola and  are registered trademarks of Motorola, Inc. Motorola, Inc. is an Equal Opportunity/Affirmative Action Employer.

How to reach us:

USA/EUROPE/Locations Not Listed: Motorola Literature Distribution;
P.O. Box 20912; Phoenix, Arizona 85036. 1-800-441-2447 or 602-303-5454

MFAX: RMFAX0@email.sps.mot.com – TOUCHTONE 602-244-6609
INTERNET: <http://Design-NET.com>

JAPAN: Nippon Motorola Ltd.; Tatsumi-SPD-JLDC, 6F Seibu-Butsuryu-Center,
3-14-2 Tatsumi Koto-Ku, Tokyo 135, Japan. 03-81-3521-8315

ASIA/PACIFIC: Motorola Semiconductors H.K. Ltd.; 8B Tai Ping Industrial Park,
51 Ting Kok Road, Tai Po, N.T., Hong Kong. 852-26629298

