

5400 PIXELS \times 3 COLOR CCD LINEAR IMAGE SENSOR

The μ PD3777 is a color CCD (Charge Coupled Device) linear image sensor which changes optical images to electrical signal and has the function of color separation.

The μ PD3777 has 3 rows of 5400 pixels, and each row has a double-sided readout type of charge transfer register. And it has reset feed-through level clamp circuits, a clamp pulse generation circuit and voltage amplifiers. Therefore, it is suitable for 600 dpi/A4 color image scanners, color facsimiles and so on.

FEATURES

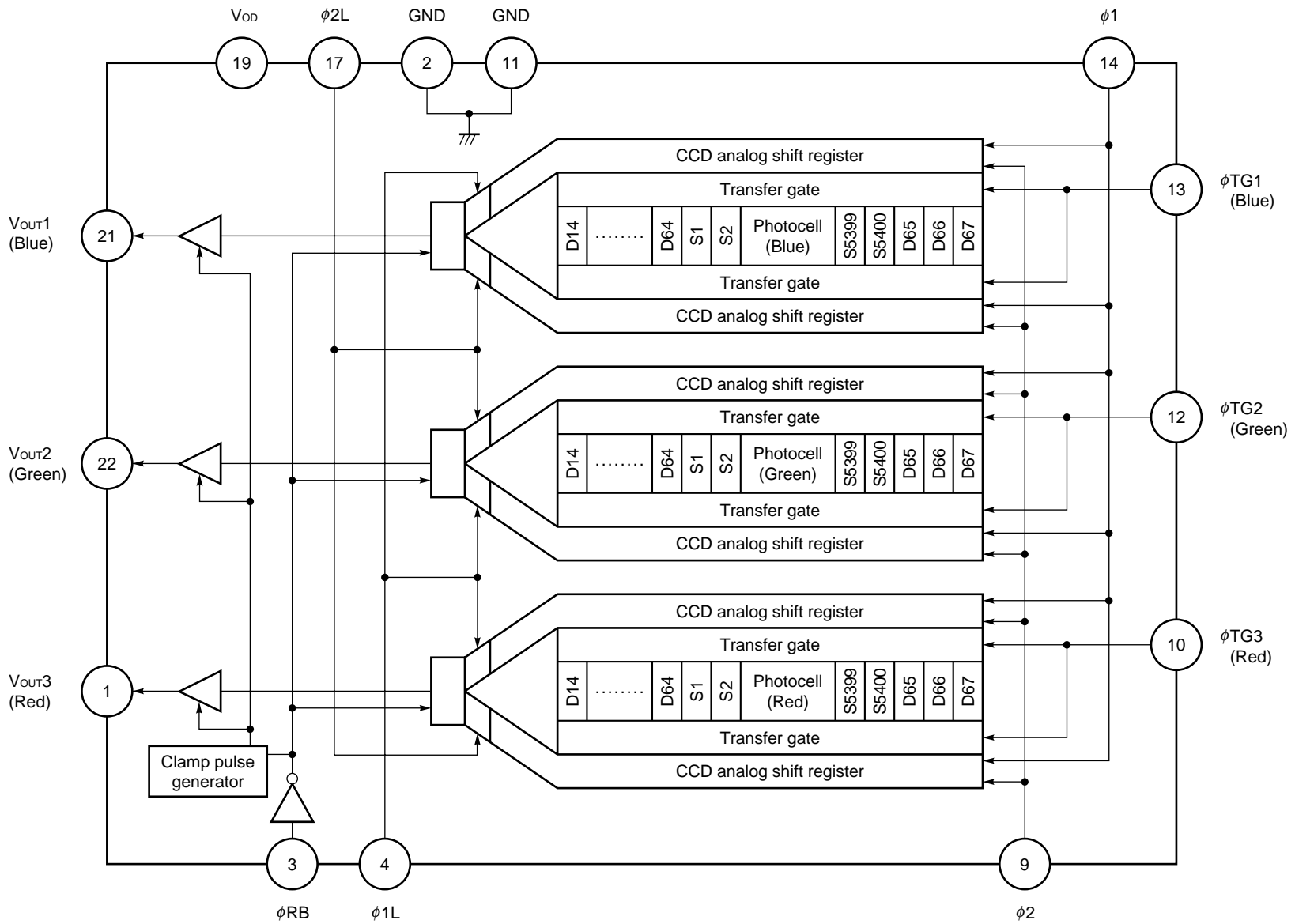
- Valid photocell : 5400 pixels \times 3
- Photocell's pitch : 5.25 μ m
- Photocell size : 5.25 \times 5.25 μ m²
- Line spacing : 42 μ m (8 lines) Red line - Green line, Green line - Blue line
- Color filter : Primary colors (red, green and blue), pigment filter (with light resistance 10⁷ lx \cdot hour)
- Resolution : 24 dot/mm A4 (210 \times 297 mm) size (shorter side)
600 dpi US letter (8.5" \times 11") size (shorter side)
- Drive clock level : CMOS output under 5 V operation
- Data rate : 4 MHz MAX.
- Power supply : +12 V
- On-chip circuits : Reset feed-through level clamp circuits
Clamp pulse generation circuit
Voltage amplifiers

ORDERING INFORMATION

| Part Number | Package |
|----------------|---|
| μ PD3777CY | CCD linear image sensor 22-pin plastic DIP (10.16 mm (400)) |

The information in this document is subject to change without notice. Before using this document, please confirm that this is the latest version.
Not all devices/types available in every country. Please check with local NEC representative for availability and additional information.

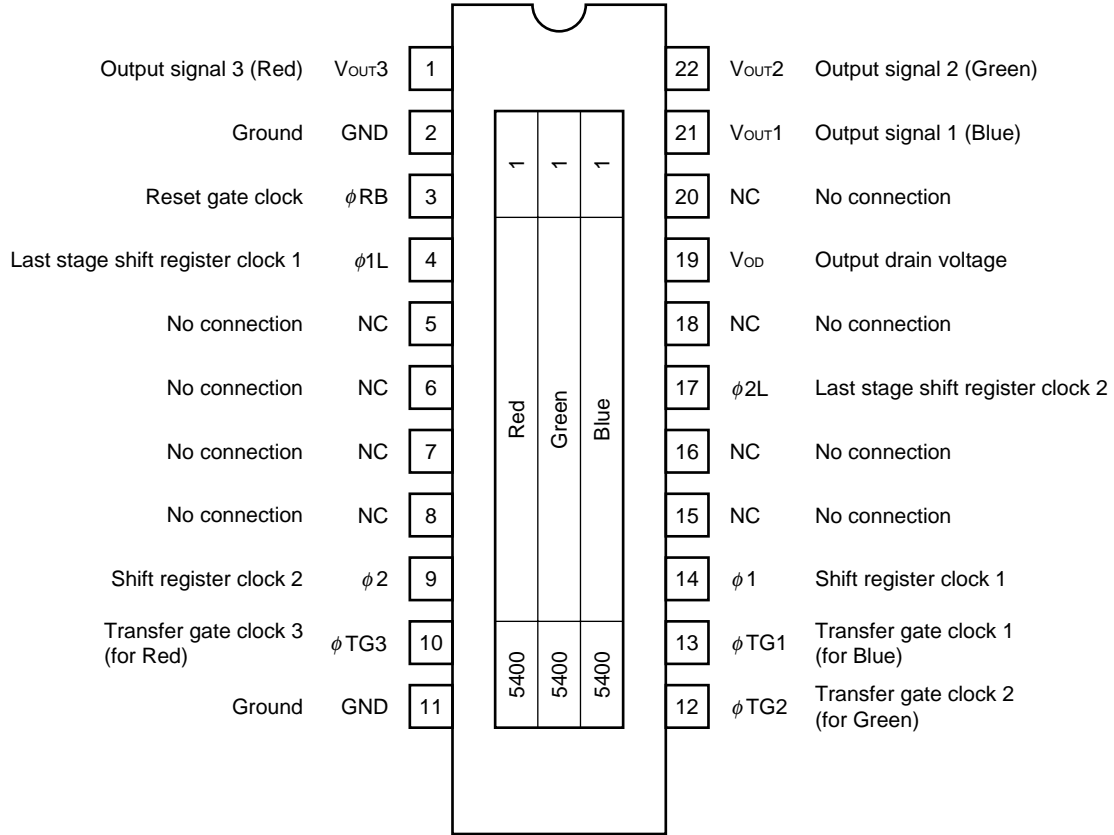
BLOCK DIAGRAM



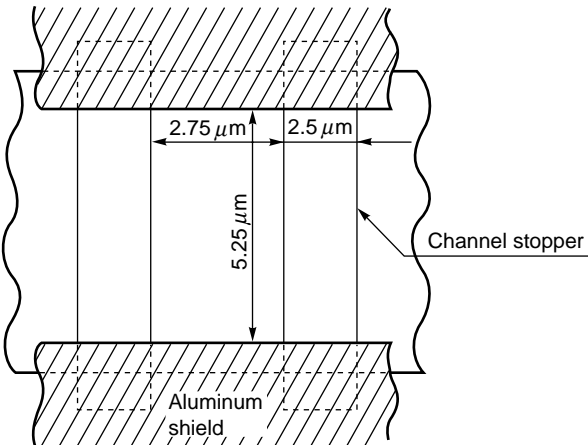
PIN CONFIGURATION (Top View)

CCD linear image sensor 22-pin plastic DIP (10.16 mm (400))

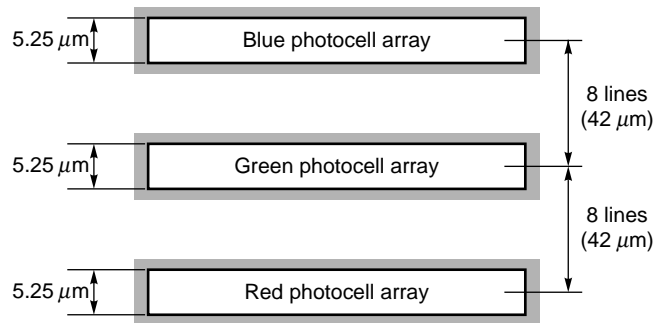
• μ PD3777CY



PHOTOCELL STRUCTURE DIAGRAM



PHOTOCELL ARRAY STRUCTURE DIAGRAM (Line spacing)



ABSOLUTE MAXIMUM RATINGS (T_A = +25 °C)

| Parameter | Symbol | Ratings | Unit |
|-------------------------------|---|-------------|------|
| Output drain voltage | V _{OD} | -0.3 to +15 | V |
| Shift register clock voltage | V _{φ1} , V _{φ2} , V _{φ1L} , V _{φ2L} | -0.3 to +8 | V |
| Reset gate clock voltage | V _{φRB} | -0.3 to +8 | V |
| Transfer gate clock voltage | V _{φTG1} to V _{φTG3} | -0.3 to +8 | V |
| Operating ambient temperature | T _A | -25 to +60 | °C |
| Storage temperature | T _{stg} | -40 to +70 | °C |

Caution Exposure to **ABSOLUTE MAXIMUM RATINGS** for extended periods may affect device reliability; exceeding the ratings could cause permanent damage. The parameters apply independently.

RECOMMENDED OPERATING CONDITIONS (T_A = +25 °C)

| Parameter | Symbol | MIN. | TYP. | MAX. | Unit |
|---------------------------------|---|------|----------------------------------|----------------------------------|------|
| Output drain voltage | V _{OD} | 11.4 | 12.0 | 12.6 | V |
| Shift register clock high level | V _{φ1H} , V _{φ2H} , V _{φ1LH} , V _{φ2LH} | 4.5 | 5.0 | 5.5 | V |
| Shift register clock low level | V _{φ1L} , V _{φ2L} , V _{φ1LL} , V _{φ2LL} | -0.3 | 0 | +0.5 | V |
| Reset gate clock high level | V _{φRBH} | 4.5 | 5.0 | 5.5 | V |
| Reset gate clock low level | V _{φRBL} | -0.3 | 0 | +0.5 | V |
| Transfer gate clock high level | V _{φTG1H} to V _{φTG3H} | 4.5 | V _{φ1H} ^{Note} | V _{φ1H} ^{Note} | V |
| Transfer gate clock low level | V _{φTG1L} to V _{φTG3L} | -0.3 | 0 | +0.5 | V |
| Data rate | f _{φRB} | – | 1.0 | 4.0 | MHz |

Note When Transfer gate clock high level (V_{φTG1H} to V_{φTG3H}) is higher than Shift register clock high level (V_{φ1H}), Image lag can increase.

ELECTRICAL CHARACTERISTICS

$T_A = +25\text{ }^\circ\text{C}$, $V_{OD} = 12\text{ V}$, data rate ($f_{\phi RB}$) = 1 MHz, storage time = 5.5 ms, input signal clock = 5 V_{p-p},
light source : 3200 K halogen lamp + C-500S (infrared cut filter, t = 1 mm) + HA-50 (heat absorbing filter, t = 3 mm)

| Parameter | Symbol | Test Conditions | MIN. | TYP. | MAX. | Unit |
|--|------------------|---|-------|-------|------|--------|
| Saturation voltage | V _{sat} | | 2.0 | 2.5 | – | V |
| Saturation exposure | Red | SER | | 0.420 | | lx•s |
| | Green | SEG | | 0.429 | | lx•s |
| | Blue | SEB | | 0.739 | | lx•s |
| Photo response non-uniformity | PRNU | V _{OUT} = 1.0 V | | 6 | 20 | % |
| Average dark signal | ADS | Light shielding | | 0.2 | 2.0 | mV |
| Dark signal non-uniformity | DSNU | Light shielding | | 1.5 | 5.0 | mV |
| Power consumption | P _w | | | 360 | 540 | mW |
| Output impedance | Z _o | | | 0.5 | 1 | kΩ |
| Response | Red | R _R | 4.15 | 5.94 | 7.72 | V/lx•s |
| | Green | R _G | 4.07 | 5.82 | 7.57 | V/lx•s |
| | Blue | R _B | 2.36 | 3.38 | 4.39 | V/lx•s |
| Image lag | IL | V _{OUT} = 1.0 V | | 2.0 | 7.0 | % |
| Offset level ^{Note 1} | V _{OS} | | 4.0 | 5.5 | 7.0 | V |
| Output fall delay time ^{Note 2} | t _d | V _{OUT} = 1.0 V | | 50 | | ns |
| Total transfer efficiency | TTE | V _{OUT} = 1.0 V, data rate = 4 MHz | 92 | 98 | | % |
| Register imbalance | RI | V _{OUT} = 1.0 V | 0 | 1.0 | 4.0 | % |
| Response peak | Red | | | 630 | | nm |
| | Green | | | 540 | | nm |
| | Blue | | | 460 | | nm |
| Dynamic range | DR1 | V _{sat} /DSNU | | 1666 | | times |
| | DR2 | V _{sat} /σ | | 2500 | | times |
| Reset feed-through noise ^{Note 1} | RFTN | Light shielding | –1000 | –300 | +500 | mV |
| Random noise | σ | Light shielding | – | 1.0 | – | mV |

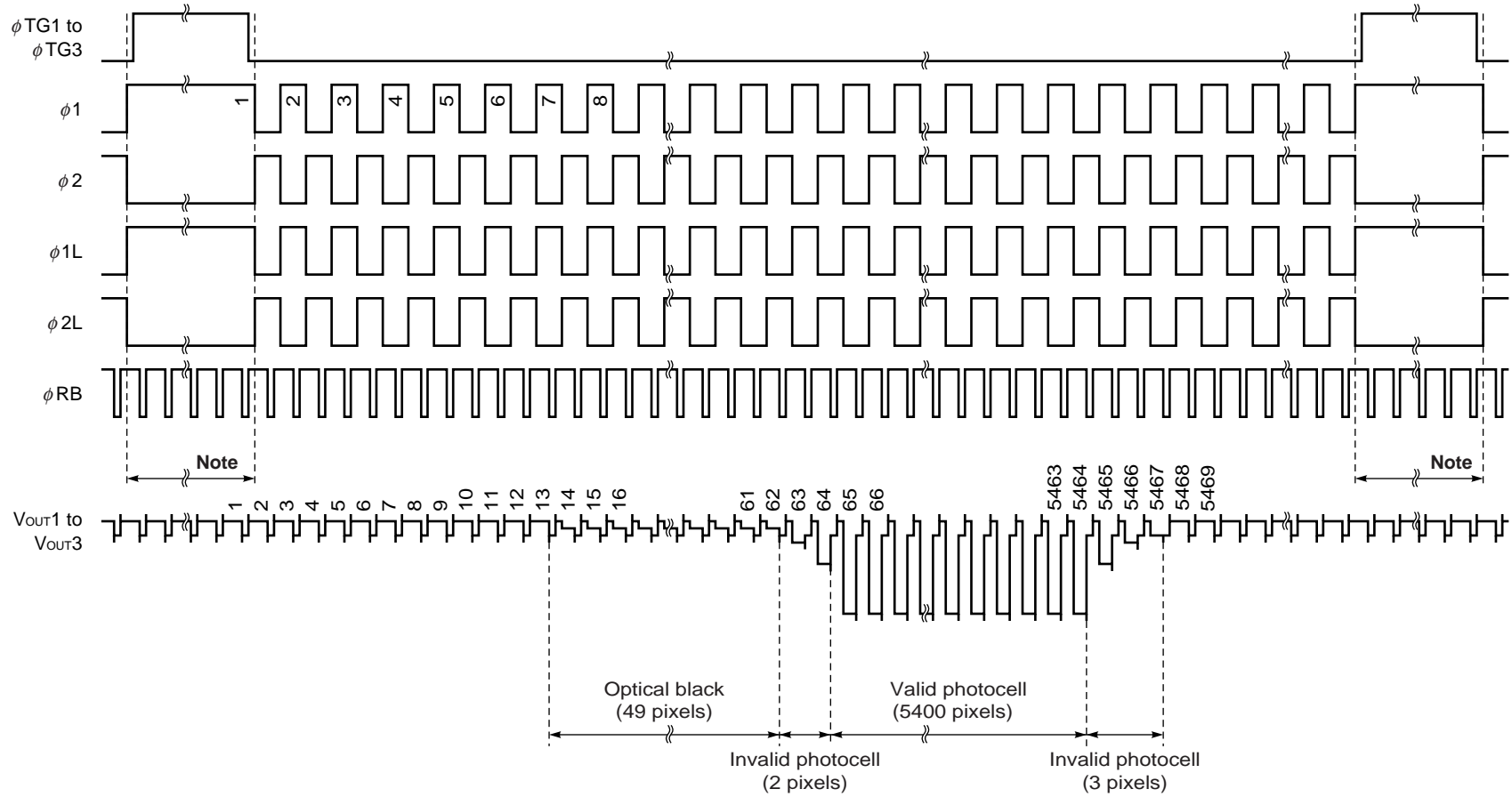
Notes 1. Refer to **TIMING CHART 2**.

2. When each fall time of φ 1L and φ 2L (t_{2'}, t_{1'}) is the TYP. value (refer to **TIMING CHART 2**).

INPUT PIN CAPACITANCE (T_A = +25 °C, V_{OD} = 12 V)

| Parameter | Symbol | Pin name | Pin No. | MIN. | TYP. | MAX. | Unit |
|---|----------------------------------|------------|---------|------|------|------|------|
| Shift register clock pin capacitance 1 | C _{ϕ1} | ϕ 1 | 14 | | 650 | | pF |
| Shift register clock pin capacitance 2 | C _{ϕ2} | ϕ 2 | 9 | | 650 | | pF |
| Last stage shift register clock pin capacitance | C _{ϕL} | ϕ 1L | 4 | | 10 | | pF |
| | | ϕ 2L | 17 | | 10 | | pF |
| Reset gate clock pin capacitance | C _{ϕRB} | ϕ RB | 3 | | 10 | | pF |
| Transfer gate clock pin capacitance | C _{ϕTG} | ϕ TG1 | 13 | | 60 | | pF |
| | | ϕ TG2 | 12 | | 60 | | pF |
| | | ϕ TG3 | 10 | | 60 | | pF |

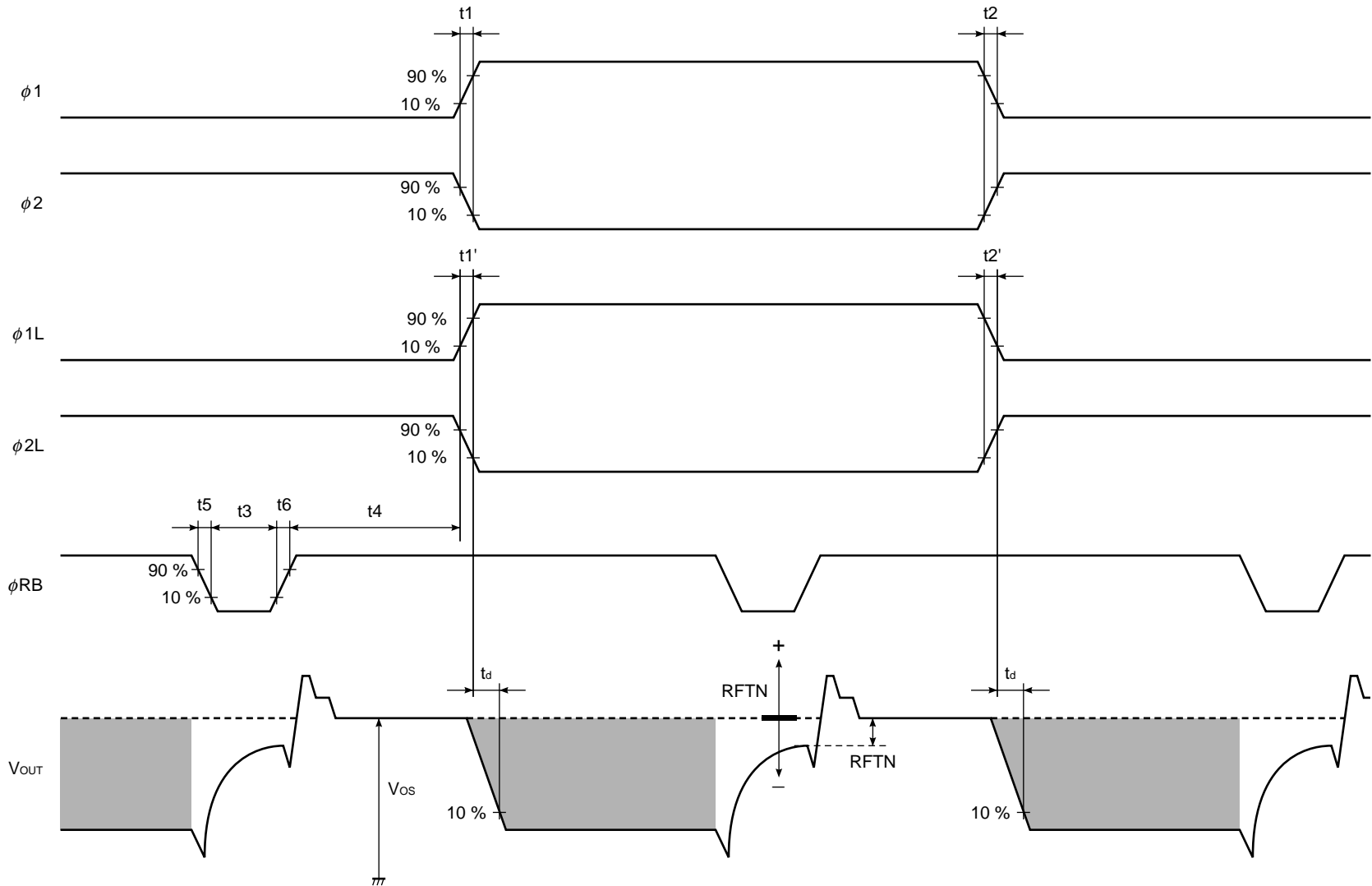
TIMING CHART 1 (for each color)



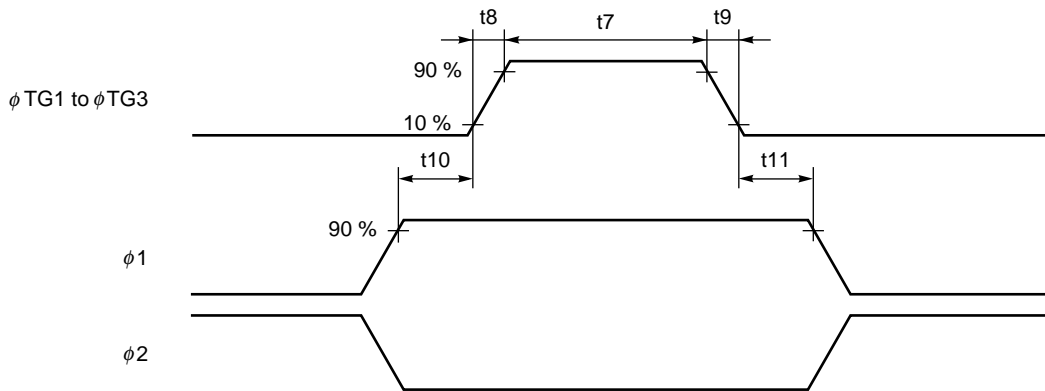
Note Input the ϕ RB pulse continuously during this period, too.

TIMING CHART 2 (for each color)

Data Sheet S14533EJ1V0DS00

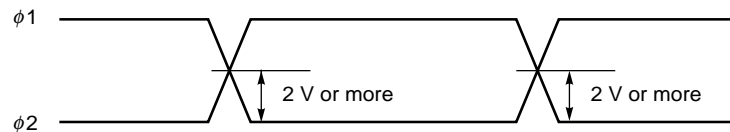


ϕ TG1 to ϕ TG3, ϕ 1, ϕ 2 TIMING CHART

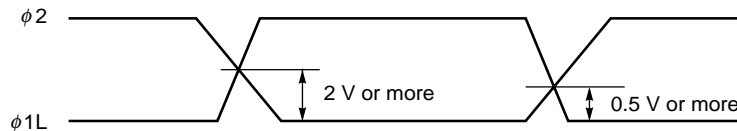


| Symbol | MIN. | TYP. | MAX. | Unit |
|----------|------|-------|------|------|
| t1, t2 | 0 | 50 | - | ns |
| t1', t2' | 0 | 5 | - | ns |
| t3 | 20 | 150 | - | ns |
| t4 | 130 | 300 | - | ns |
| t5, t6 | 0 | 50 | - | ns |
| t7 | 3000 | 10000 | - | ns |
| t8, t9 | 0 | 50 | - | ns |
| t10, t11 | 900 | 1000 | - | ns |

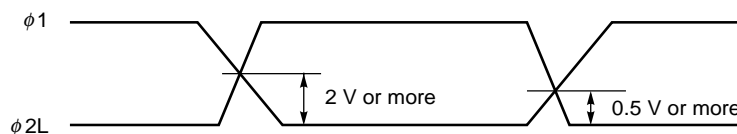
ϕ 1, ϕ 2 cross points



ϕ 1L, ϕ 2 cross points



ϕ 1, ϕ 2L cross points



Remark Adjust cross points (ϕ 1, ϕ 2), (ϕ 1L, ϕ 2) and (ϕ 1, ϕ 2L) with input resistance of each pin.

DEFINITIONS OF CHARACTERISTIC ITEMS

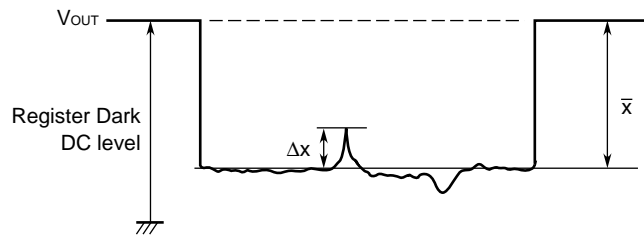
1. Saturation voltage : **V_{sat}**
Output signal voltage at which the response linearity is lost.
2. Saturation exposure : **SE**
Product of intensity of illumination (lx) and storage time (s) when saturation of output voltage occurs.
3. Photo response non-uniformity : **PRNU**
The output signal non-uniformity of all the valid pixels when the photosensitive surface is applied with the light of uniform illumination. This is calculated by the following formula.

$$PRNU (\%) = \frac{\Delta x}{\bar{x}} \times 100$$

Δx : maximum of $|x_j - \bar{x}|$

$$\bar{x} = \frac{\sum_{j=1}^{5400} x_j}{5400}$$

x_j : Output voltage of valid pixel number j



4. Average dark signal : **ADS**
Average output signal voltage of all the valid pixels at light shielding. This is calculated by the following formula.

$$ADS (mV) = \frac{\sum_{j=1}^{5400} d_j}{5400}$$

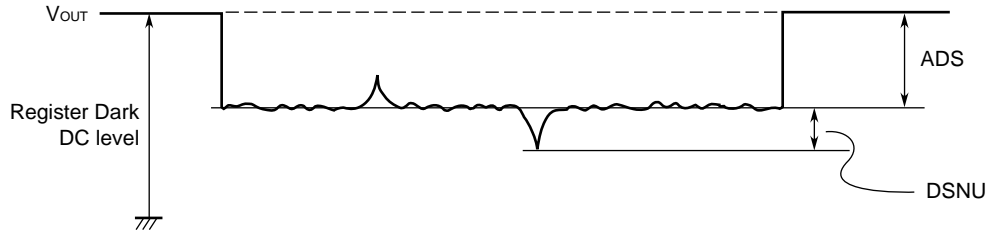
d_j : Dark signal of valid pixel number j

5. Dark signal non-uniformity : **DSNU**

Absolute maximum of the difference between ADS and voltage of the highest or lowest output pixel of all the valid pixels at light shielding. This is calculated by the following formula.

$$\text{DSNU (mV)} : \text{maximum of } |d_j - \text{ADS}|_{j=1 \text{ to } 5400}$$

d_j : Dark signal of valid pixel number j



6. Output impedance : **Zo**

Impedance of the output pins viewed from outside.

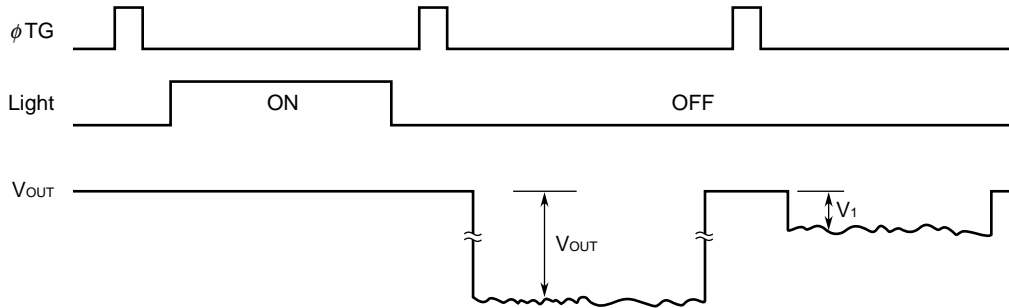
7. Response : **R**

Output voltage divided by exposure (lx*s).

Note that the response varies with a light source (spectral characteristic).

8. Image lag : **IL**

The rate between the last output voltage and the next one after read out the data of a line.



$$\text{IL (\%)} = \frac{V_1}{V_{\text{OUT}}} \times 100$$

9. Register imbalance : **RI**

The rate of the difference between the averages of the output voltage of Odd and Even pixels, against the average output voltage of all the valid pixels.

$$\text{RI (\%)} = \frac{\frac{2}{n} \left| \sum_{j=1}^{\frac{n}{2}} (V_{2j-1} - V_{2j}) \right|}{\frac{1}{n} \sum_{j=1}^n V_j} \times 100$$

n : Number of valid pixels

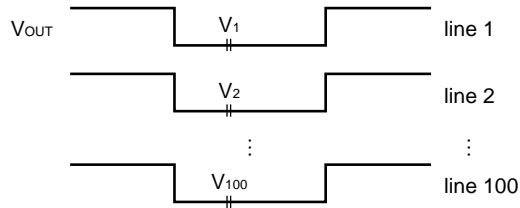
V_j : Output voltage of each pixel

10. Random noise : σ

Random noise σ is defined as the standard deviation of a valid pixel output signal with 100 times (= 100 lines) data sampling at dark (light shielding).

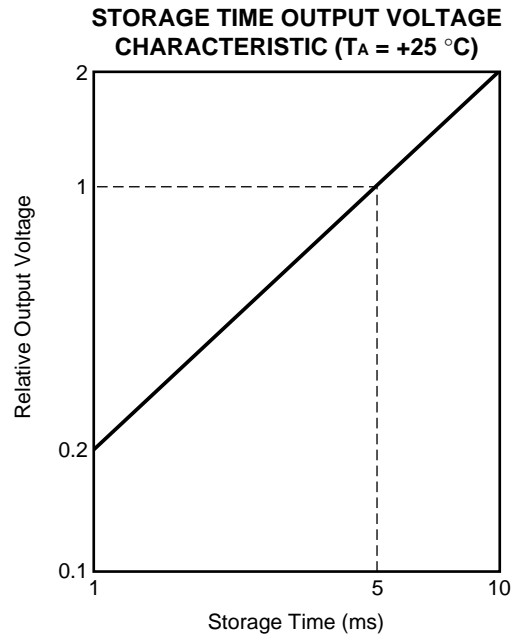
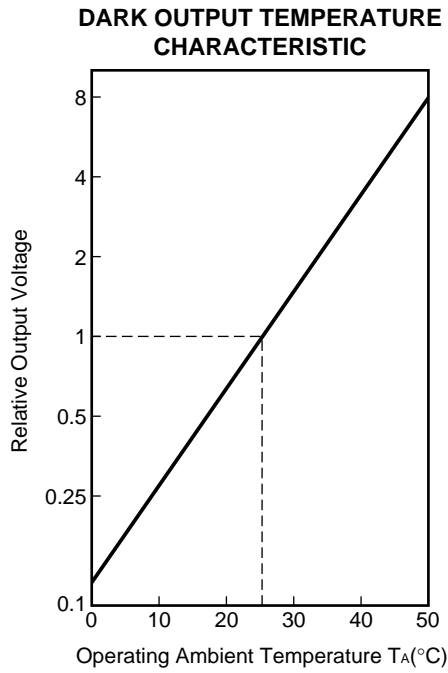
$$\sigma \text{ (mV)} = \sqrt{\frac{\sum_{i=1}^{100} (V_i - \bar{V})^2}{100}} \quad , \quad \bar{V} = \frac{1}{100} \sum_{i=1}^{100} V_i$$

V_i : A valid pixel output signal among all of the valid pixels for each color

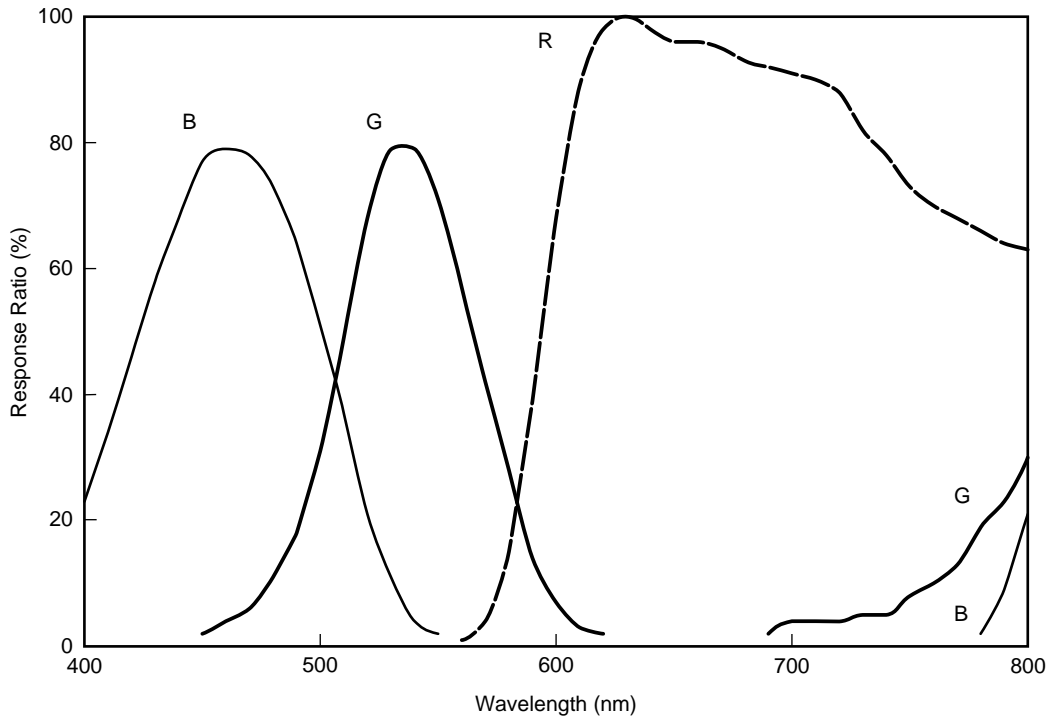


This is measured by the DC level sampling of only the signal level, not by CDS (Correlated Double Sampling).

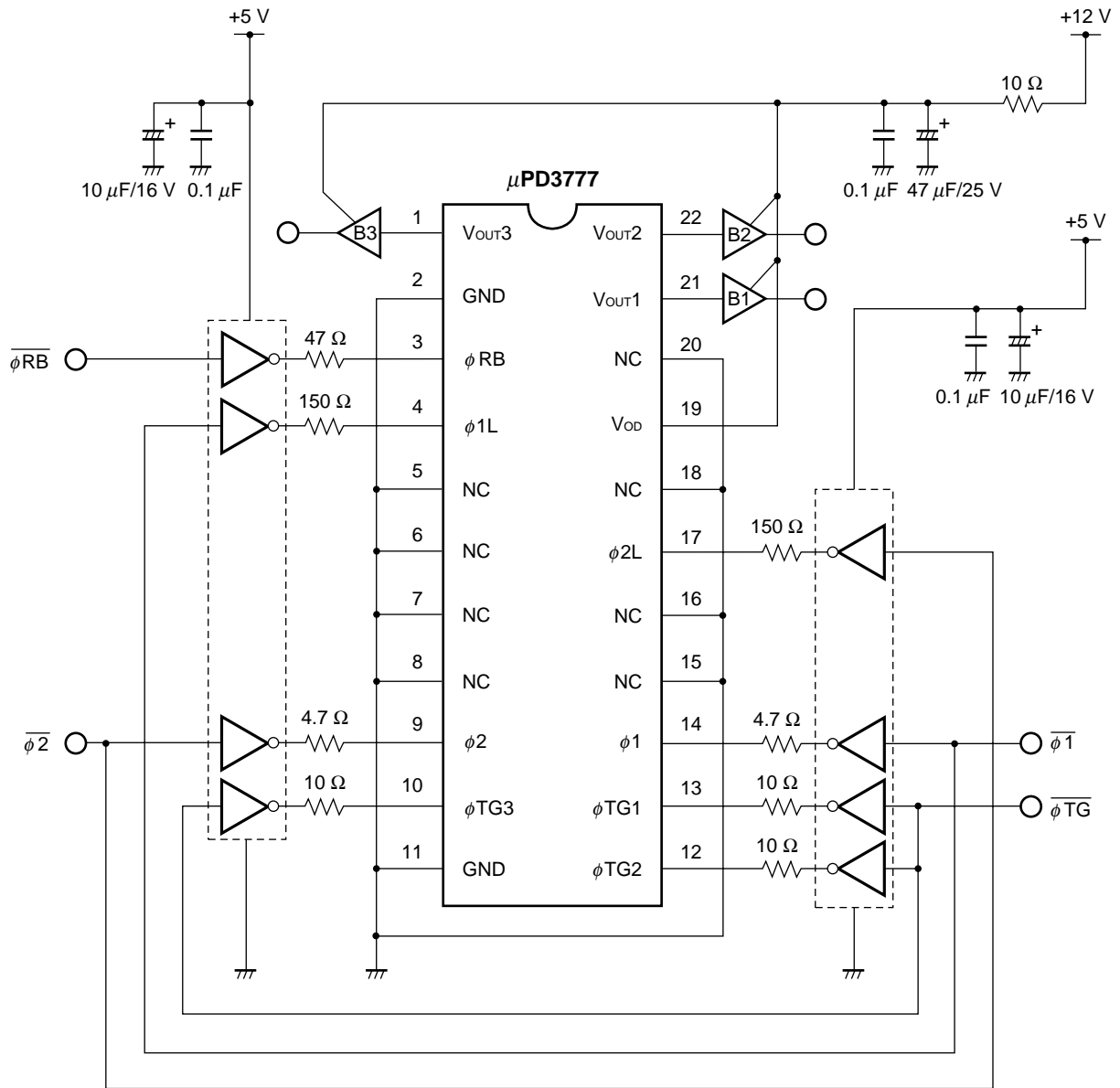
STANDARD CHARACTERISTIC CURVES (Nominal)



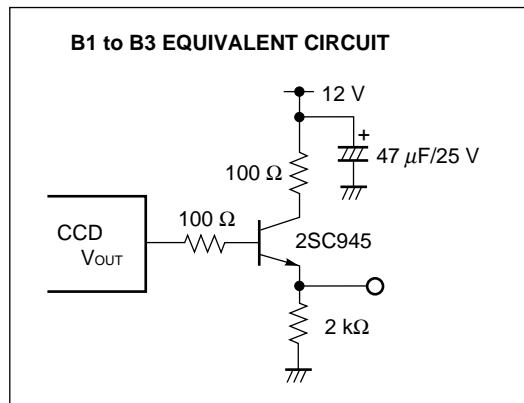
**TOTAL SPECTRAL RESPONSE CHARACTERISTICS
(without infrared cut filter and heat absorbing filter) ($T_A = +25^\circ\text{C}$)**



APPLICATION CIRCUIT EXAMPLE



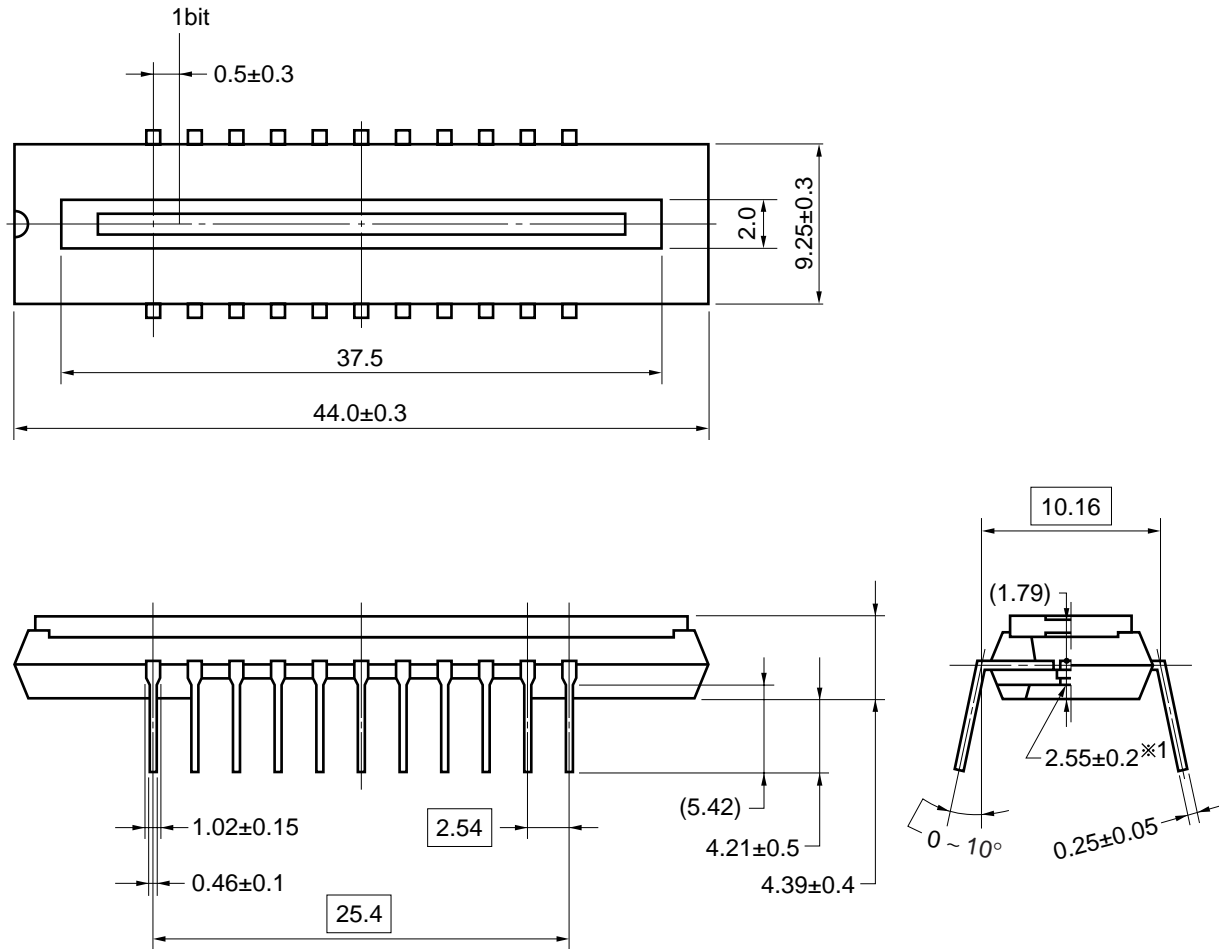
Remark The inverters shown in the above application circuit example are the 74HC04 (data rate < 2 MHz) or the 74AC04 (data rate: 2 to 4 MHz).



PACKAGE DRAWING

CCD LINEAR IMAGE SENSOR 22-PIN PLASTIC DIP (10.16 mm (400))

(Unit : mm)



| Name | Dimensions | Refractive index |
|-------------|---------------------------------|------------------|
| Plastic cap | 42.9 × 8.35 × 0.7 ^{※2} | 1.5 |

※1 The bottom of the package ↔ The surface of the chip

※2 The thickness of the cap over the chip

22C-1CCD-PKG6-1

RECOMMENDED SOLDERING CONDITIONS

When soldering this product, it is highly recommended to observe the conditions as shown below.

If other soldering processes are used, or if the soldering is performed under different conditions, please make sure to consult with our sales offices.

For more details, refer to our document “**Semiconductor Device Mounting Technology Manual**” (C10535E).

Type of Through-hole Device

μ PD3777CY : CCD linear image sensor 22-pin plastic DIP (10.16 mm (400))

| Process | Conditions |
|------------------------|--|
| Partial heating method | Pin temperature : 300 °C or below, Heat time : 3 seconds or less (per pin) |

Caution During assembly care should be taken to prevent solder or flux from contacting the plastic cap. The optical characteristics could be degraded by such contact.

[MEMO]

NOTES ON CLEANING THE PLASTIC CAP**① CLEANING THE PLASTIC CAP**

Care should be taken when cleaning the surface to prevent scratches.

The optical characteristics of the CCD will be degraded if the cap is scratched during cleaning.

We recommend cleaning the cap with a soft cloth moistened with one of the recommended solvents below. Excessive pressure should not be applied to the cap during cleaning. If the cap requires multiple cleanings it is recommended that a clean surface or cloth be used.

② RECOMMENDED SOLVENTS

The following are the recommended solvents for cleaning the CCD plastic cap. Use of solvents other than these could result in optical or physical degradation in the plastic cap. Please consult your sales office when considering an alternative solvent.

| Solvents | Symbol |
|----------------------|--------|
| Ethyl Alcohol | EtOH |
| Methyl Alcohol | MeOH |
| Isopropyl Alcohol | IPA |
| N-methyl Pyrrolidone | NMP |

NOTES FOR CMOS DEVICES**① PRECAUTION AGAINST ESD FOR SEMICONDUCTORS**

Note:

Strong electric field, when exposed to a MOS device, can cause destruction of the gate oxide and ultimately degrade the device operation. Steps must be taken to stop generation of static electricity as much as possible, and quickly dissipate it once, when it has occurred. Environmental control must be adequate. When it is dry, humidifier should be used. It is recommended to avoid using insulators that easily build static electricity. Semiconductor devices must be stored and transported in an anti-static container, static shielding bag or conductive material. All test and measurement tools including work bench and floor should be grounded. The operator should be grounded using wrist strap. Semiconductor devices must not be touched with bare hands. Similar precautions need to be taken for PW boards with semiconductor devices on it.

② HANDLING OF UNUSED INPUT PINS FOR CMOS

Note:

No connection for CMOS device inputs can be cause of malfunction. If no connection is provided to the input pins, it is possible that an internal input level may be generated due to noise, etc., hence causing malfunction. CMOS devices behave differently than Bipolar or NMOS devices. Input levels of CMOS devices must be fixed high or low by using a pull-up or pull-down circuitry. Each unused pin should be connected to V_{DD} or GND with a resistor, if it is considered to have a possibility of being an output pin. All handling related to the unused pins must be judged device by device and related specifications governing the devices.

③ STATUS BEFORE INITIALIZATION OF MOS DEVICES

Note:

Power-on does not necessarily define initial status of MOS device. Production process of MOS does not define the initial operation status of the device. Immediately after the power source is turned ON, the devices with reset function have not yet been initialized. Hence, power-on does not guarantee out-pin levels, I/O settings or contents of registers. Device is not initialized until the reset signal is received. Reset operation must be executed immediately after power-on for devices having reset function.

[MEMO]

- **The information in this document is subject to change without notice. Before using this document, please confirm that this is the latest version.**
 - No part of this document may be copied or reproduced in any form or by any means without the prior written consent of NEC Corporation. NEC Corporation assumes no responsibility for any errors which may appear in this document.
 - NEC Corporation does not assume any liability for infringement of patents, copyrights or other intellectual property rights of third parties by or arising from use of a device described herein or any other liability arising from use of such device. No license, either express, implied or otherwise, is granted under any patents, copyrights or other intellectual property rights of NEC Corporation or others.
 - Descriptions of circuits, software, and other related information in this document are provided for illustrative purposes in semiconductor product operation and application examples. The incorporation of these circuits, software, and information in the design of the customer's equipment shall be done under the full responsibility of the customer. NEC Corporation assumes no responsibility for any losses incurred by the customer or third parties arising from the use of these circuits, software, and information.
 - While NEC Corporation has been making continuous effort to enhance the reliability of its semiconductor devices, the possibility of defects cannot be eliminated entirely. To minimize risks of damage or injury to persons or property arising from a defect in an NEC semiconductor device, customers must incorporate sufficient safety measures in its design, such as redundancy, fire-containment, and anti-failure features.
 - NEC devices are classified into the following three quality grades:
"Standard", "Special", and "Specific". The Specific quality grade applies only to devices developed based on a customer designated "quality assurance program" for a specific application. The recommended applications of a device depend on its quality grade, as indicated below. Customers must check the quality grade of each device before using it in a particular application.
 - Standard: Computers, office equipment, communications equipment, test and measurement equipment, audio and visual equipment, home electronic appliances, machine tools, personal electronic equipment and industrial robots
 - Special: Transportation equipment (automobiles, trains, ships, etc.), traffic control systems, anti-disaster systems, anti-crime systems, safety equipment and medical equipment (not specifically designed for life support)
 - Specific: Aircraft, aerospace equipment, submersible repeaters, nuclear reactor control systems, life support systems or medical equipment for life support, etc.
- The quality grade of NEC devices is "Standard" unless otherwise specified in NEC's Data Sheets or Data Books. If customers intend to use NEC devices for applications other than those specified for Standard quality grade, they should contact an NEC sales representative in advance.